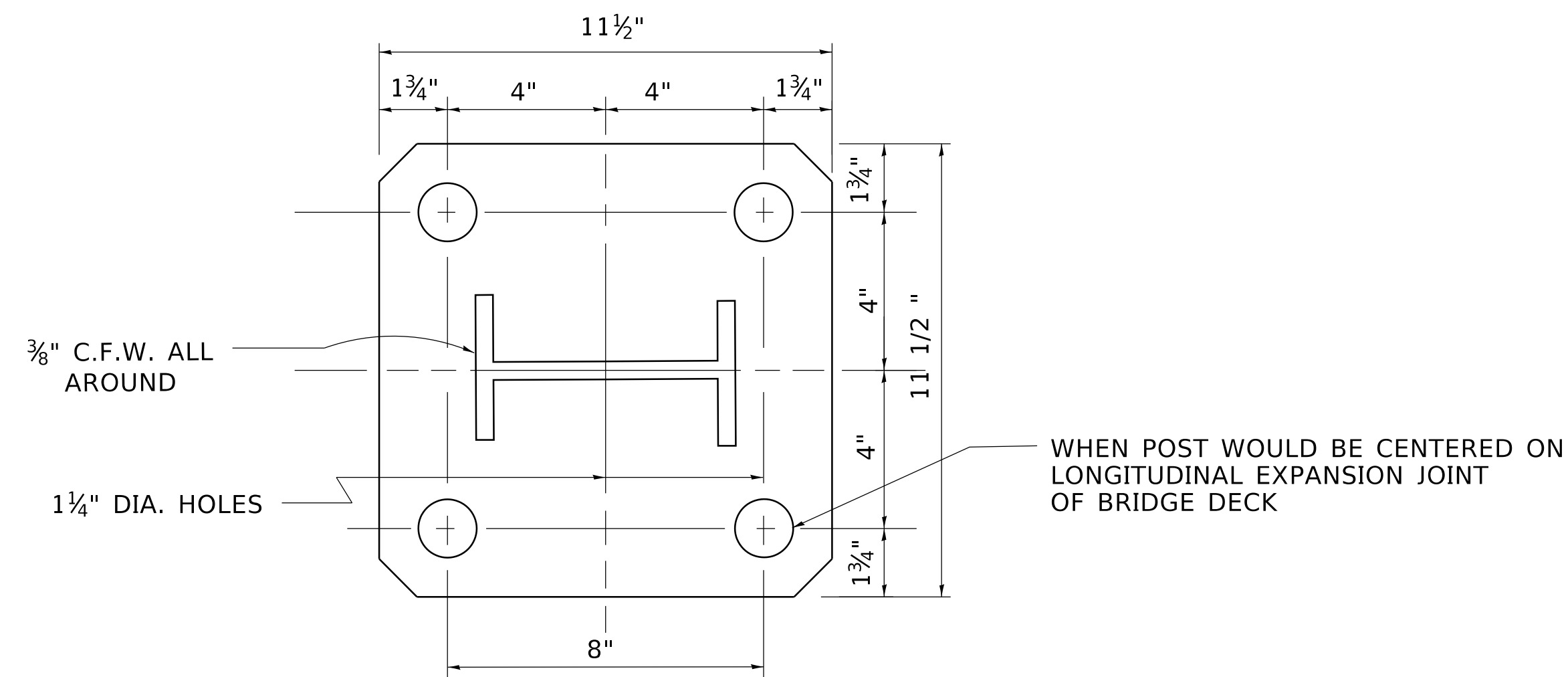
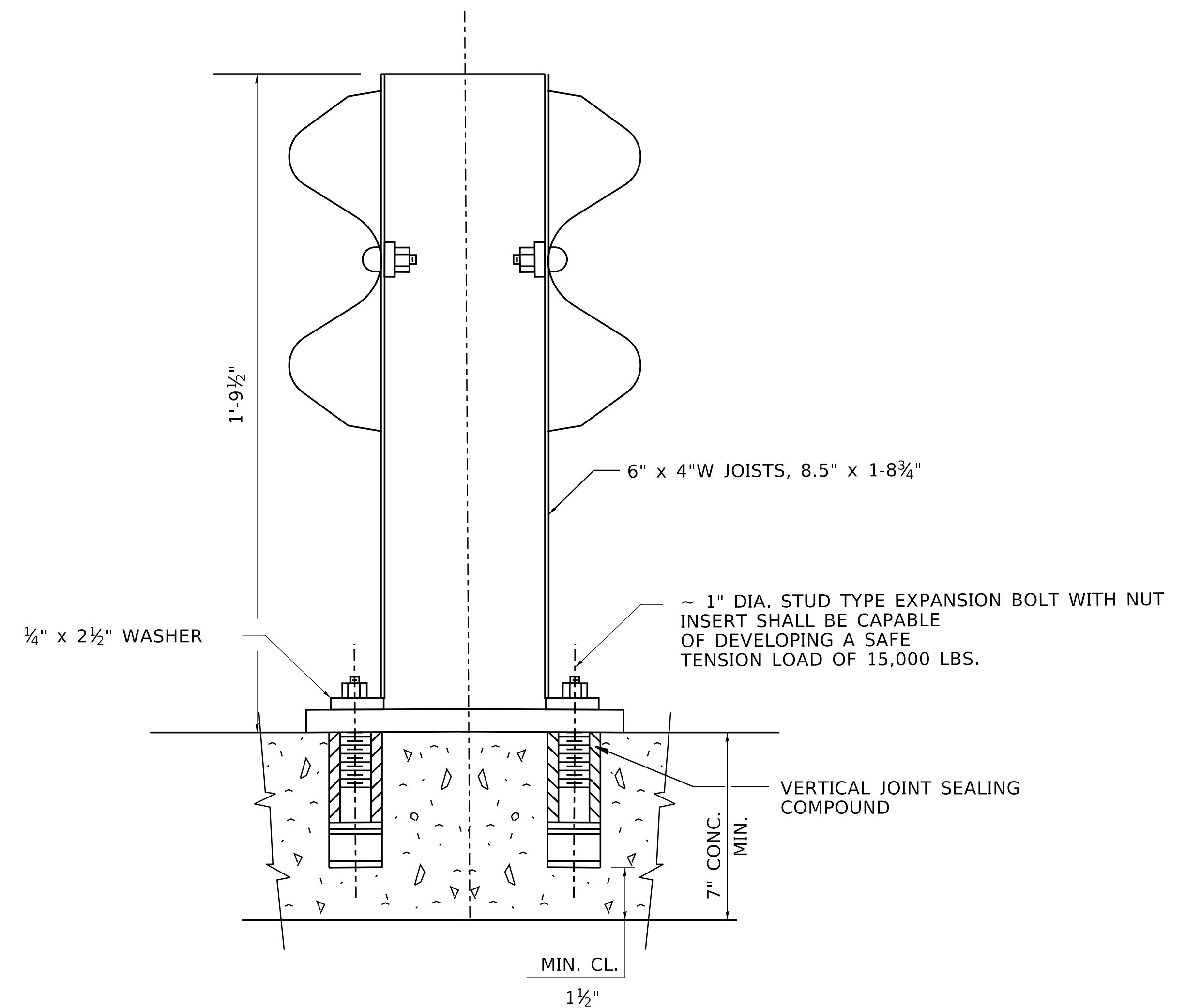


NOTE:

1. FOR DETAILS OF RAIL ELEMENTS, RAIL SPLICING, NUT, BOLT AND SIDE VIEW OF RAIL, SEE STANDARD 2230-2.
2. ALL WELDS SHALL BE GROUND SMOOTH
3. POSTS SHALL BE CUT AND WELDED TO THE BASE PLATE SO THAT THE POST WILL BE PLUMB WHEN ERECTED.
4. TWO PERCENT (2%) OF ALL ANCHOR BOLTS SHALL BE TEST LOADED IN PLACE, MINIMUM TEST LOAD=8 KIPS. IF ONE ANCHOR BOLT FAILS DURING THE TEST, TWO OTHER ANCHOR BOLTS SHALL BE TESTED. TESTING EQUIPMENT SHALL BE BOLT COMPANIES.
5. PROVIDE 11#8" AND 21#16" GALVANIZED SHIMS FOR 25% OF THE POSTS.



RAIL POST BASE
 R 11 1/2" x 1 1/4" x 11 1/2"



MODEL: Default
 FILE: M:\MTE_Planroom\dot Illinois\pvc\PIW\DOT\Documents\DOT Offices\District 1\Projects\Dist502\2311CAD\Drawn\CAD\Sheets\bm02.dgn

USER NAME = footemj	DESIGNED -	REVISED - R. RITCHIE 05-02-00
PLOT SCALE = 50.0000 ' / in.	DRAWN - RFL	REVISED -
PLOT DATE = 3/11/2019	CHECKED -	REVISED -
	DATE - 10-31-88	REVISED -

**STATE OF ILLINOIS
 DEPARTMENT OF TRANSPORTATION**

**ANCHOR DETAIL FOR STEEL PLATE BEAM
 GUARDRAIL ON CONCRETE**

SCALE: NONE SHEET 1 OF 1 SHEETS STA. TO STA.

F.A. RTE.	SECTION	COUNTY	TOTAL SHEETS	SHEET NO.
	BM-02			
CONTRACT NO.				
ILLINOIS FED. AID PROJECT				