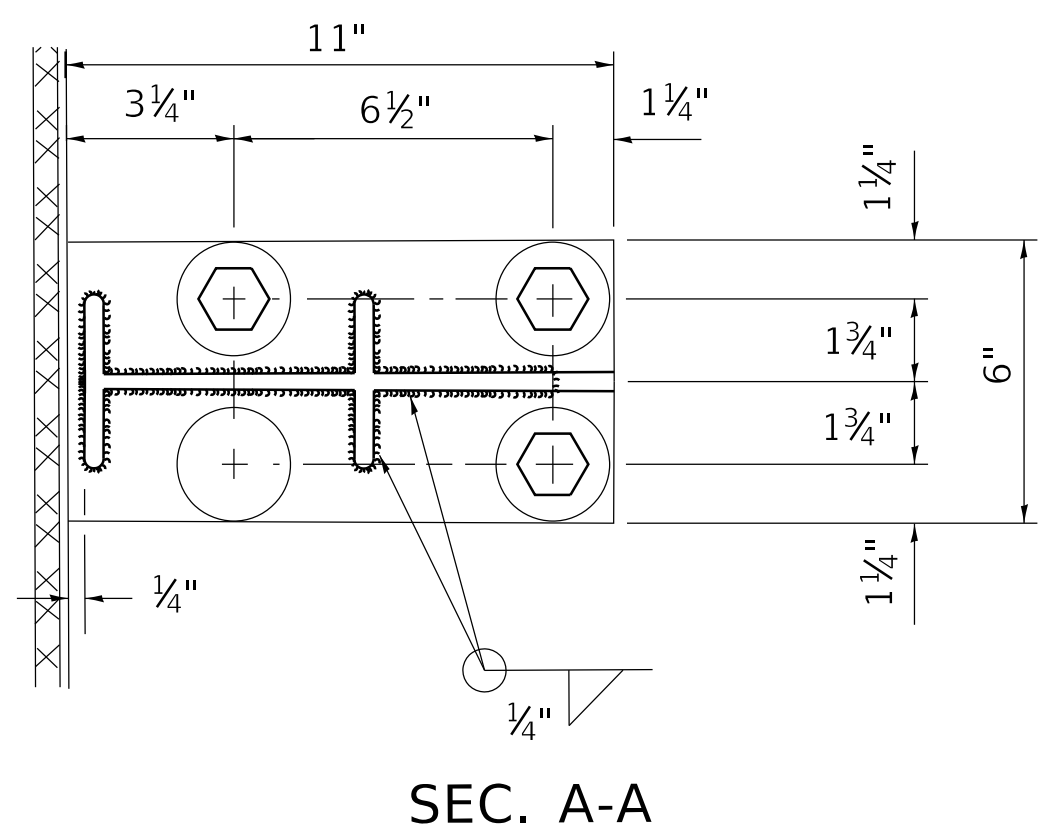


NOTE:
DIAMOND TIPPED DRILL SHALL BE USED TO DRILL THRU REINFORCEMENT BARS



- NOTE:
1. POSTS SHALL BE HOT DIPPED GALVANIZED AFTER FABRICATION IN ACCORDANCE WITH ASTM DESIGNATIONS A-123 AND A-385.
 2. TWO PERCENT (2%) OF ALL ANCHOR BOLTS SHALL BE TEST LOADED IN PLACE. MIN. TEST LOAD = 8 KIPS.
 3. ALL BOLTS, NUTS AND WASHERS SHALL BE GALVANIZED IN ACCORDANCE WITH ASTM DESIGNATION A-153.
 4. FOR MATERIAL COMPOSITION OF PREFABRICATED PAD, SEE ARTICLE 54.9(F), (BEARING AND ANCHORAGE), OF THE STANDARD SPECIFICATIONS.
 5. PROVIDE 1-1#8" AND 2-1#16" GALVANIZED STEEL SHIMS FOR 25% OF THE POSTS.
 6. IF ONE ANCHOR BOLT FAILS DURING TEST, TWO OTHER ANCHOR BOLTS SHALL BE TESTED. TESTING EQUIPMENT CAN BE OBTAINED FROM BOLT COMPANIES.

THIS SHEET IS FOR INFORMATION ONLY

MODEL: Default
FILE: M:\MTE_Planroom\dot Illinois.gov\PIWIDOT\Documents\DOT Offices\District 1\Projects\Dist5\2231\CA\DD\Draw\CAD\sheet\bm05.dgn

USER NAME = footemj	DESIGNED -	REVISED - R. RITCHIE 05-02-00
PLOT SCALE = 50.0000 ' / in.	DRAWN - R.F.L.	REVISED -
PLOT DATE = 3/11/2019	CHECKED -	REVISED -
	DATE - 10-31-88	REVISED -

STATE OF ILLINOIS
DEPARTMENT OF TRANSPORTATION

TYPICAL DETAIL FOR CENTER LONGITUDINAL JOINT GUARDRAIL JOINT			
SCALE: NONE	SHEET 1	OF 1 SHEETS	STA. TO STA.

F.A. RTE.	SECTION	COUNTY	TOTAL SHEETS	SHEET NO.
	BM-05			
ILLINOIS		FED. AID PROJECT		