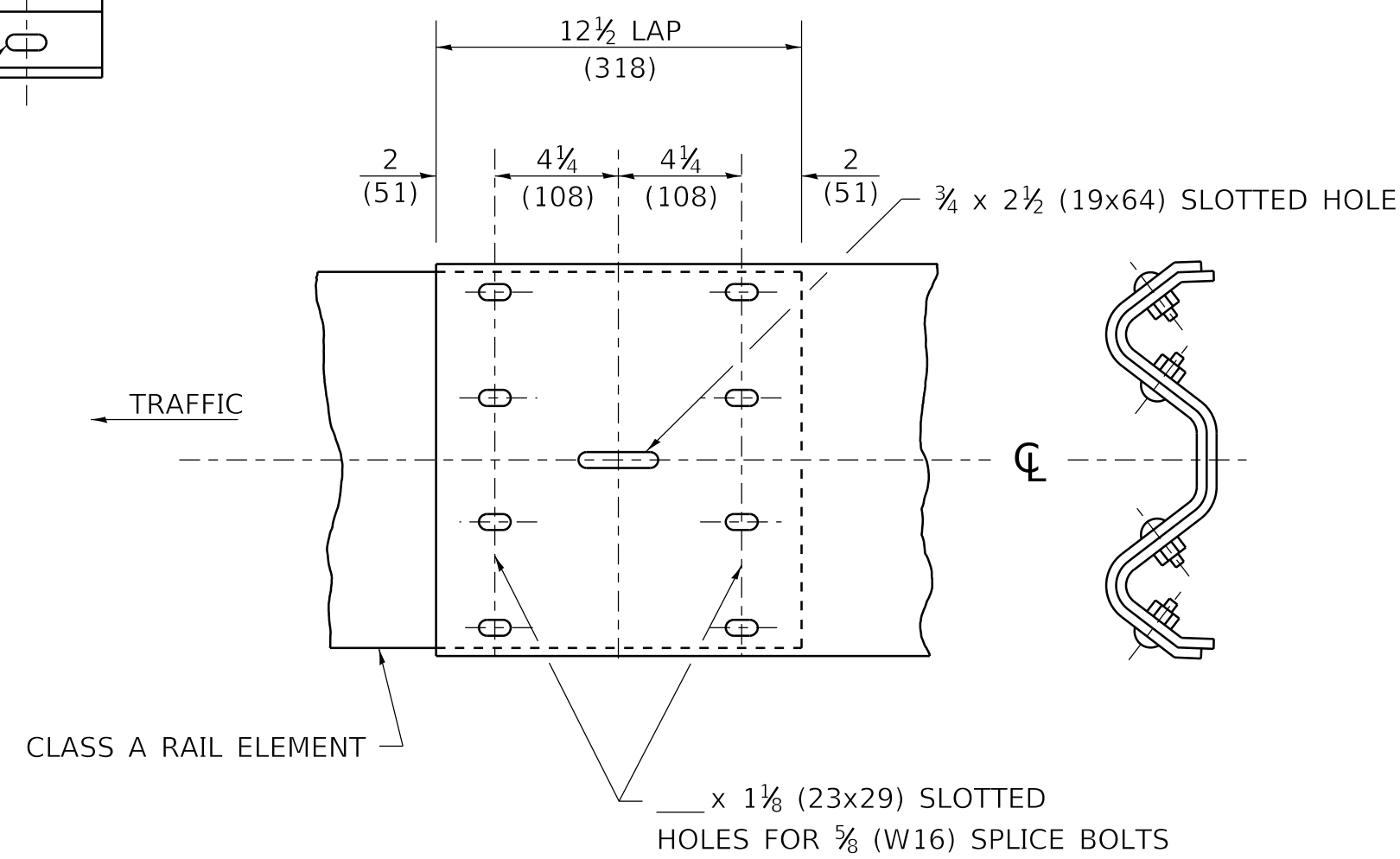
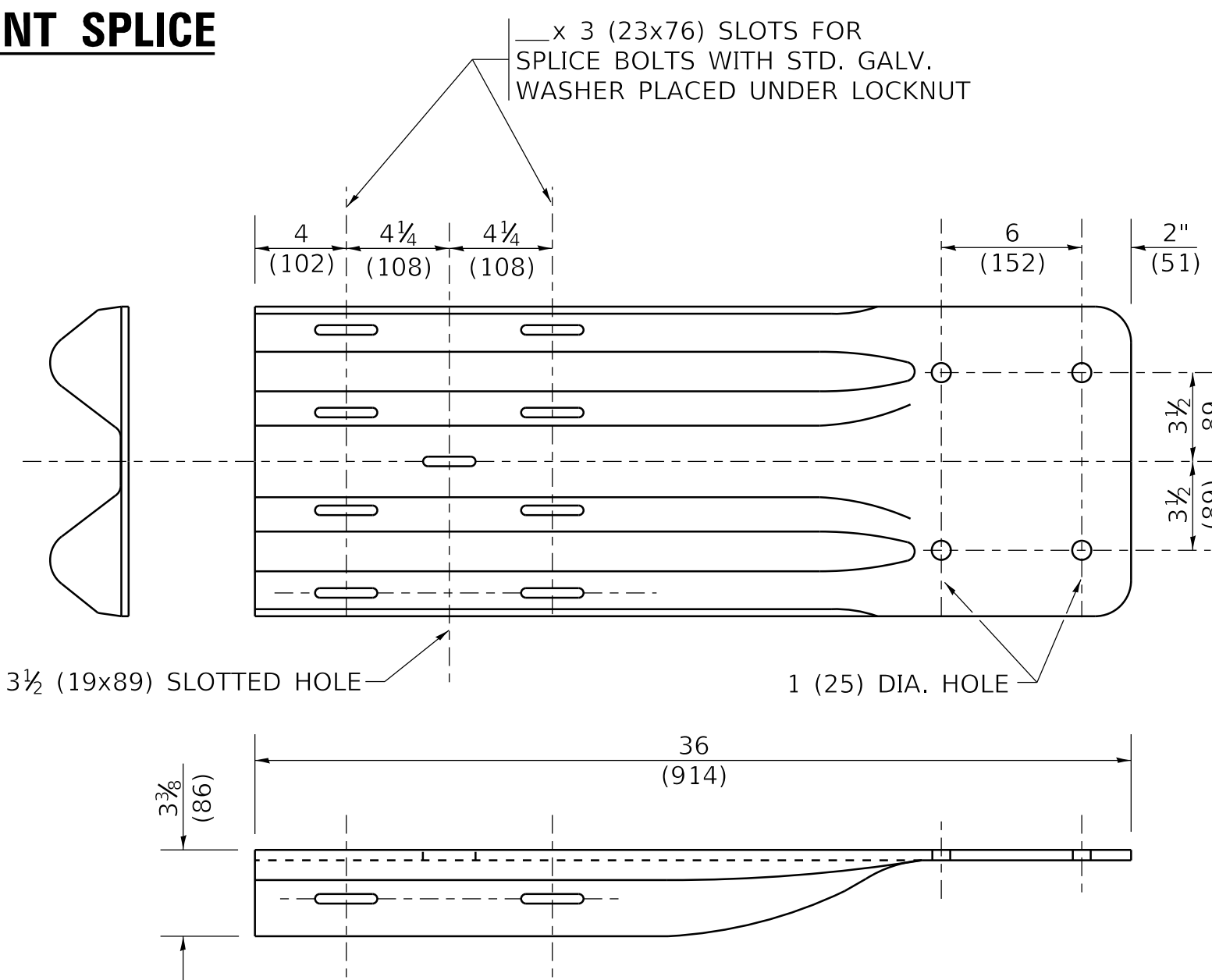


**SPLICE PLATE**



**RAIL ELEMENT SPLICE**



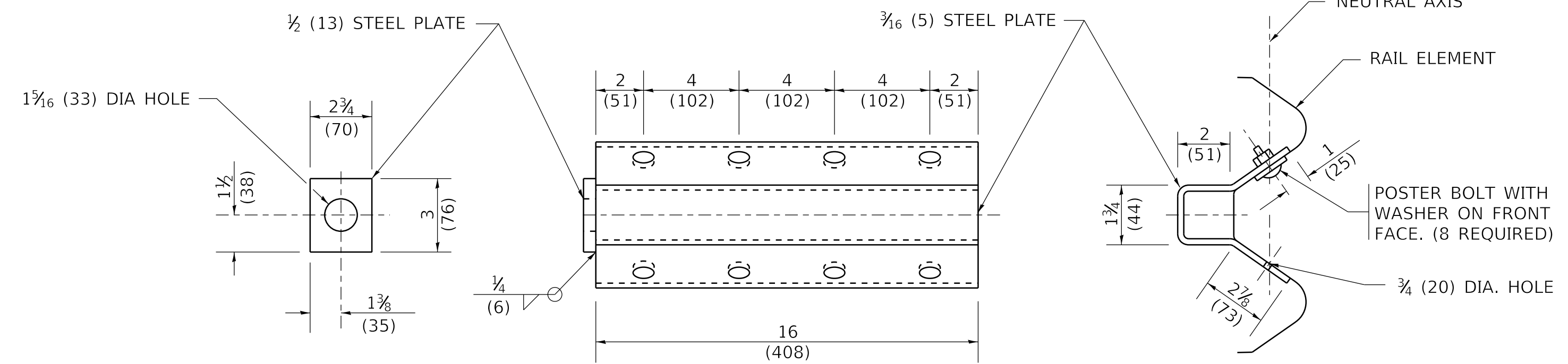
**END SHOE**

**NOTE:**

WHEN END SHOE IS ATTACHED TO A BRIDGE PARAPET WHICH HAS AN EXPANSION JOINT, THE BOLTS SHALL BE PROVIDED WITH A LOCKNUT OR DOUBLE NUT AND SHALL BE TIGHTENED ONLY TO A POINT THAT WILL ALLOW GUARDRAIL MOVEMENT.

THE STANDARD END SHOE SHALL BE ATTACHED TO THE CONCRETE WITH PRE-DRILLED OR SELF-DRILLING ANCHOR BOLTS. THE ANCHOR CONE SHALL BE SET FLUSH WITH THE SURFACE OF THE CONCRETE.

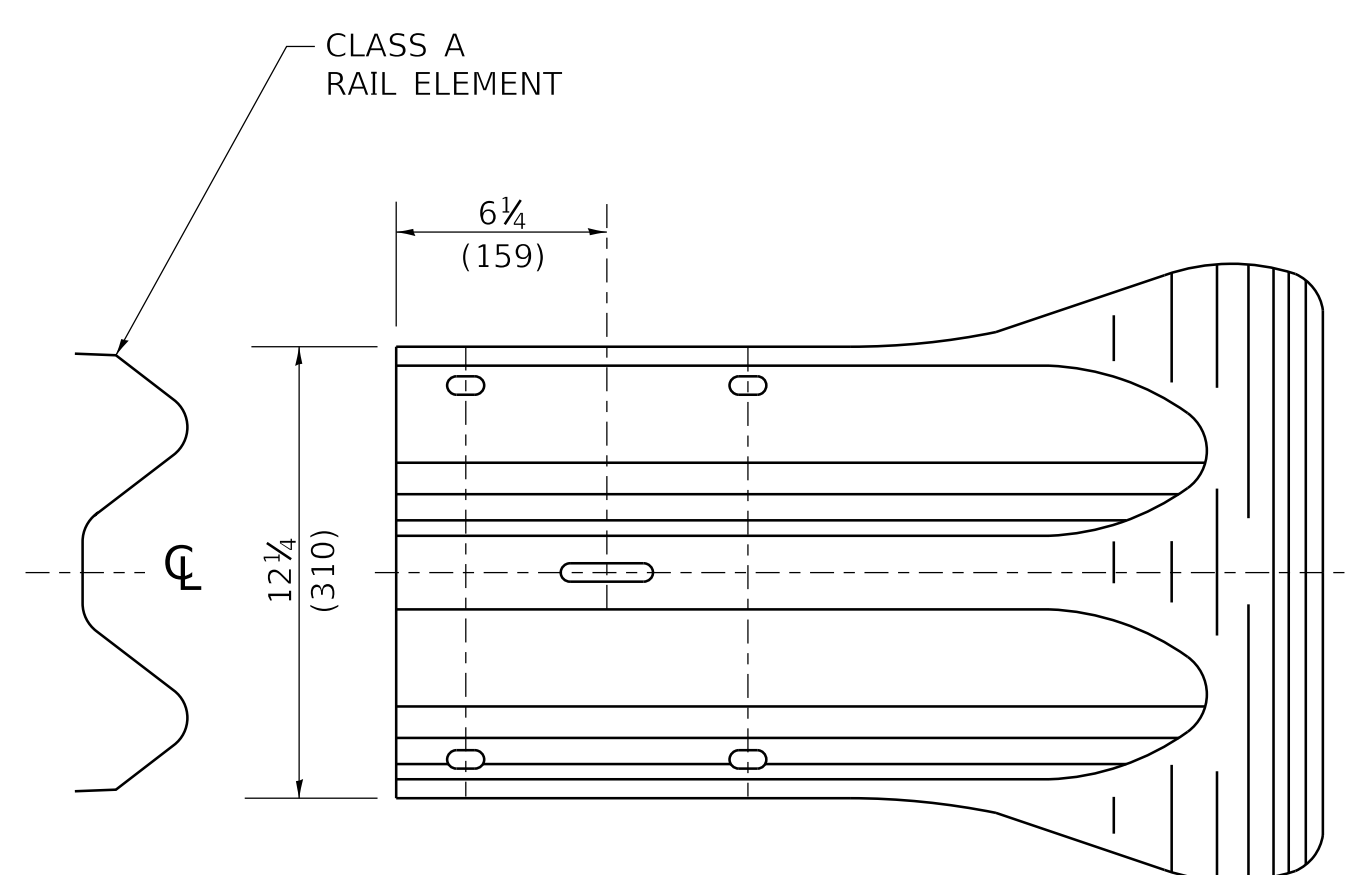
EXTERNALLY THREADED STUDS PROTRUDING FROM THE SURFACE OF THE CONCRETE WILL NOT BE PERMITTED.



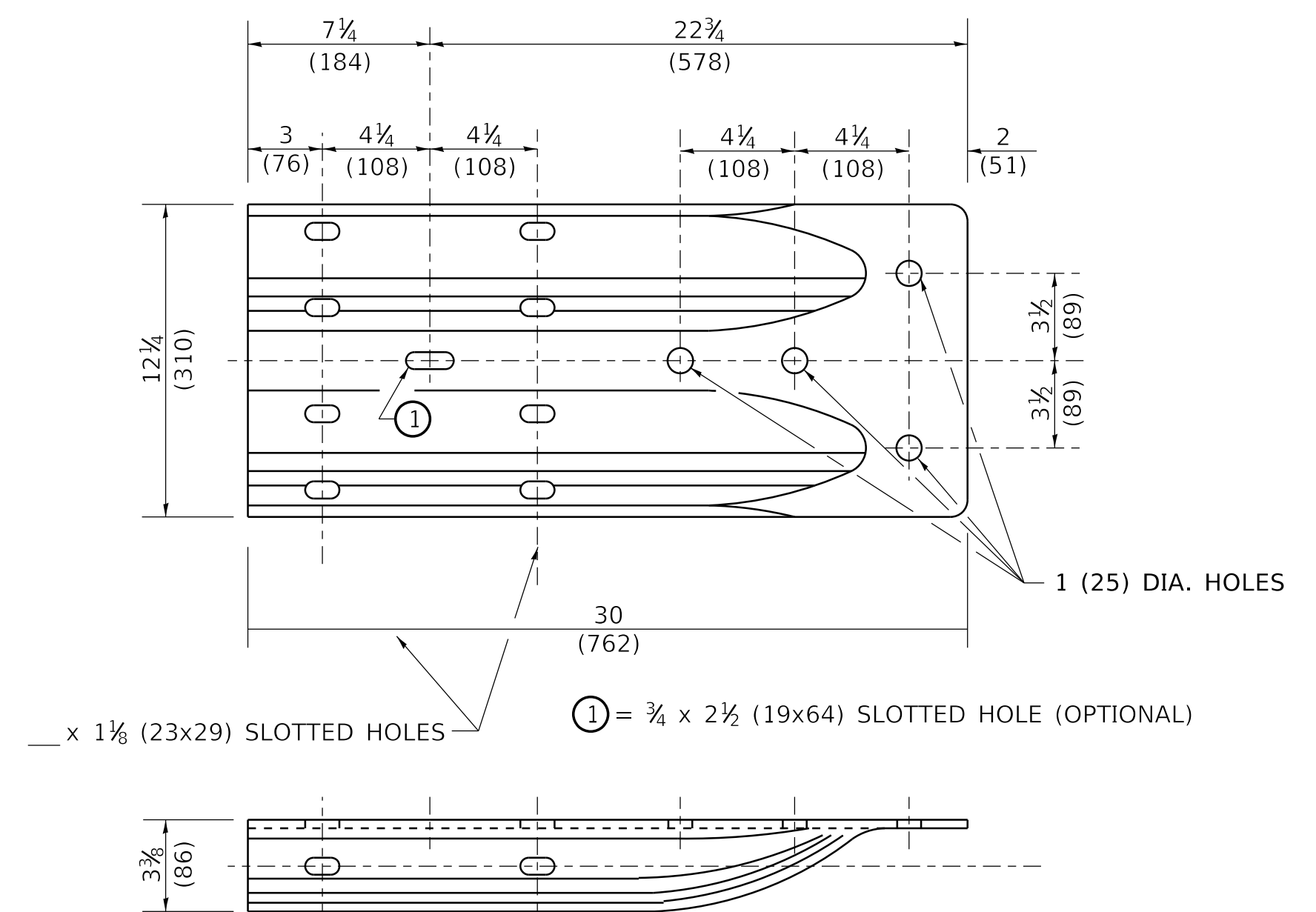
**NOTE:**

ANCHOR PLATE T SHALL BE USED TO ATTACH CABLE ASSEMBLY TO GUARDRAIL WHEN REQUIRED ON TRAFFIC BARRIER TERMINALS.

**ANCHORE PLATE T DETAILS**



**END SECTION**



**ALTERNATE END SHOE**

MODEL: Default  
FILE NAME: p:\pub\planroom.dwg  
PROJECTS\DOT\Documents\DOT Office\District 1\Projects\DHHS\2231\CAD\Drawn\CAD\Sheets\bm21.dwg

USER NAME = footemj	DESIGNED -	REVISED -
PLOT SCALE = 50.0000 "/td> <td>DRAWN -</td> <td>REVISED -</td>	DRAWN -	REVISED -
PLOT DATE = 3/11/2019	CHECKED -	REVISED -
	DATE -	REVISED -

**STATE OF ILLINOIS  
DEPARTMENT OF TRANSPORTATION**

**REMOVE AND REERECT  
STEEL PLATE BEAM GUARDRAIL**

SCALE: NONE SHEET 3 OF 4 SHEETS STA. TO STA.

F.A. RTE.	SECTION	COUNTY	TOTAL SHEETS	SHEET NO.
	BM-21			
CONTRACT NO.		ILLINOIS FED. AID PROJECT		