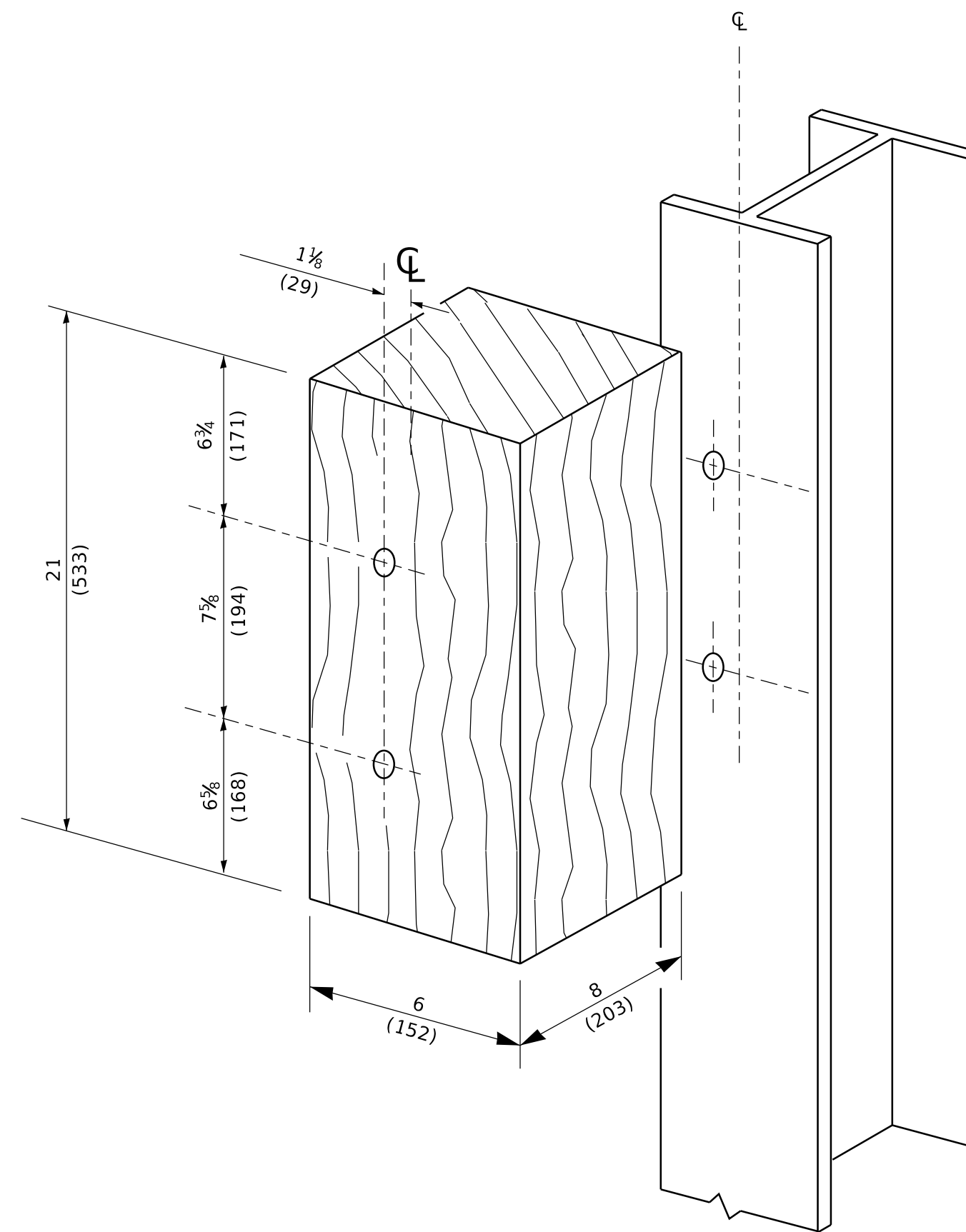
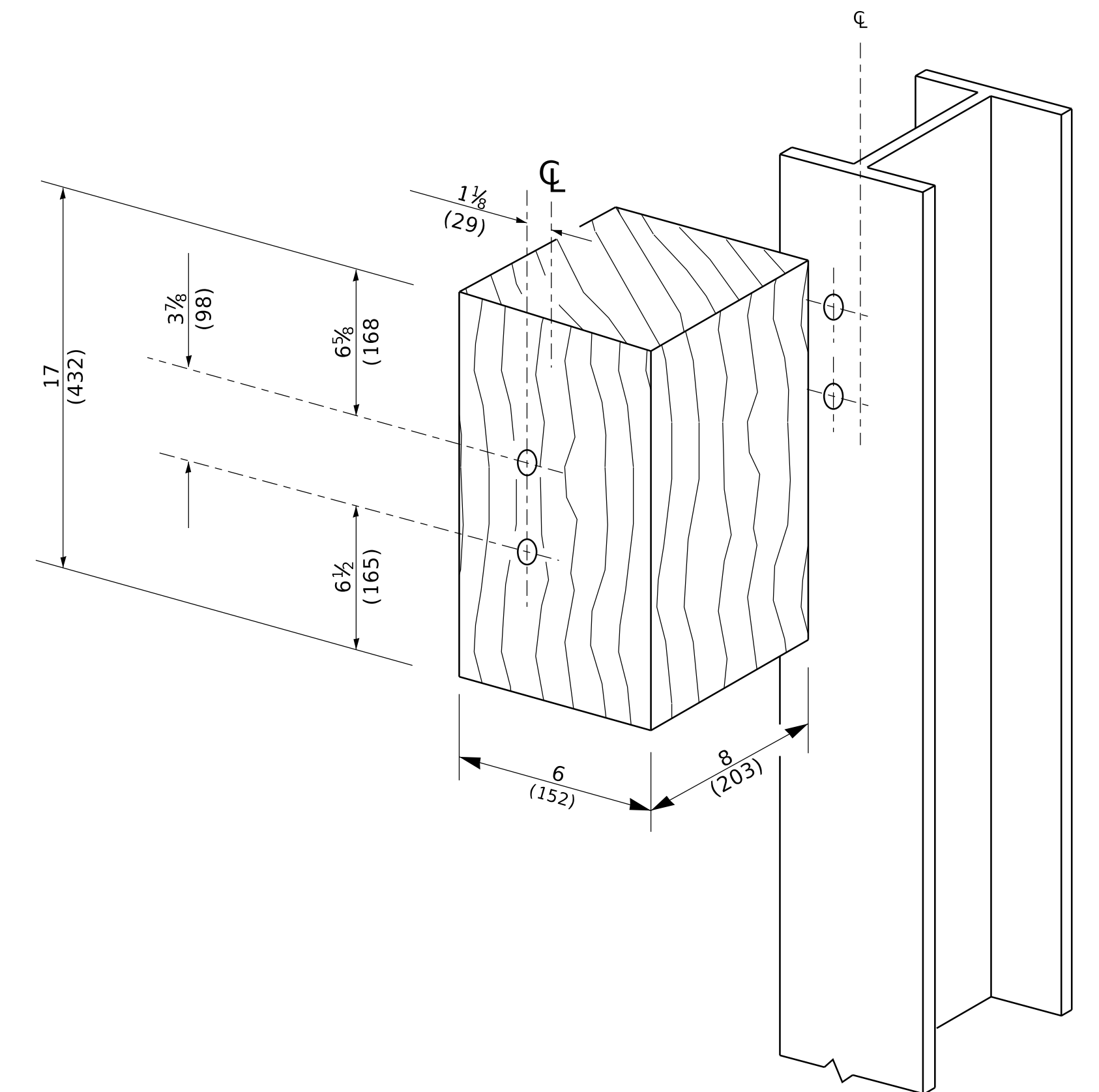


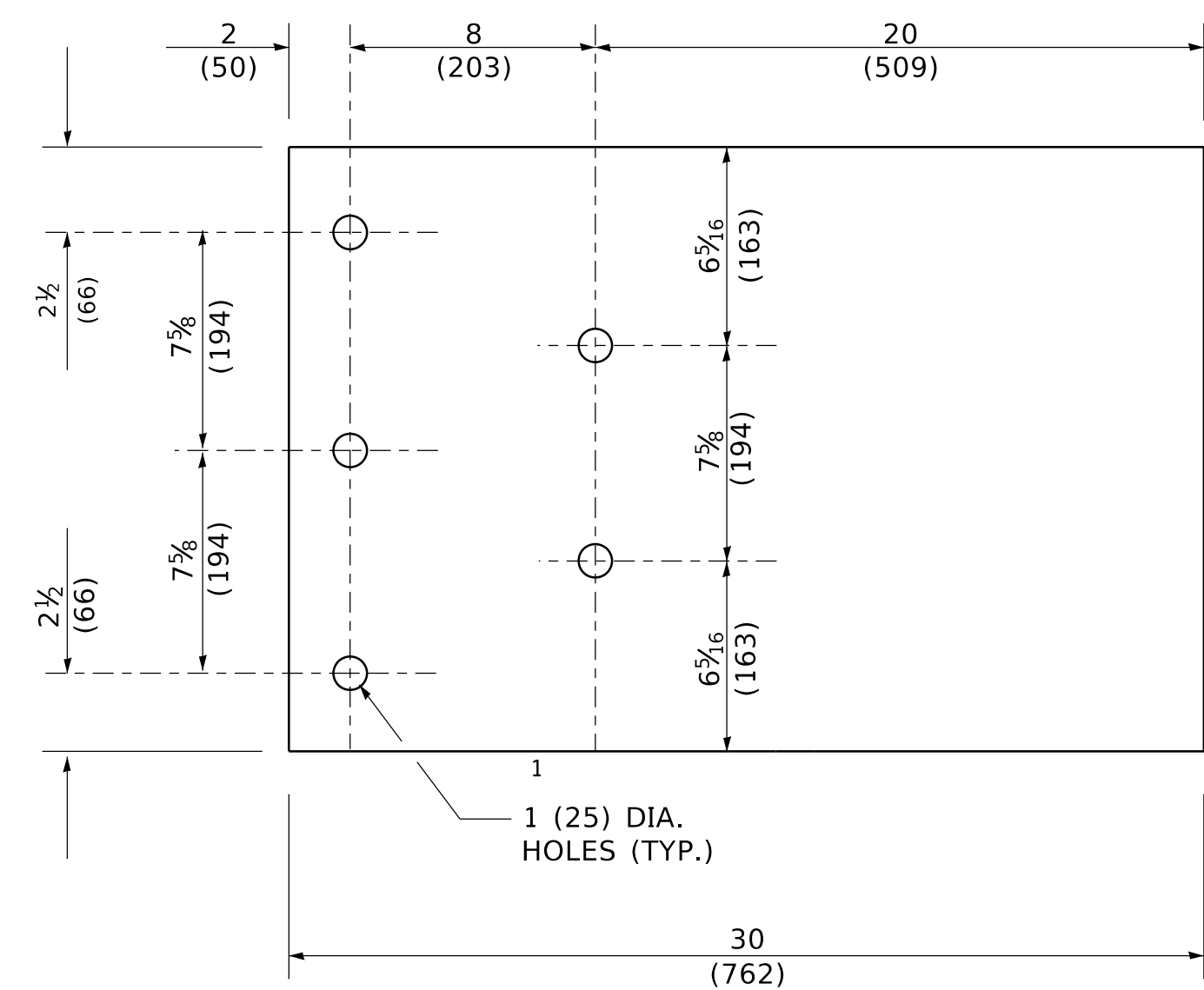
**THRIE BEAM END SHOE DETAIL**



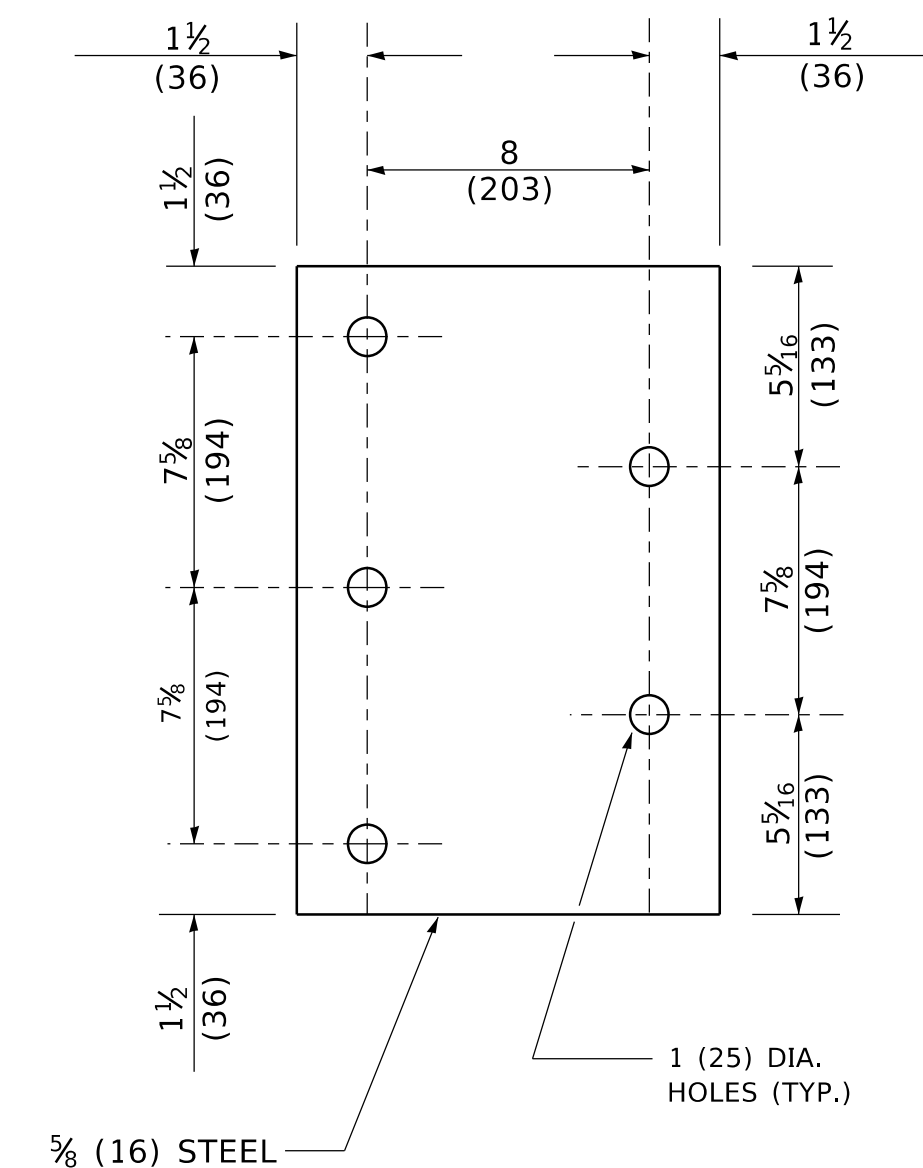
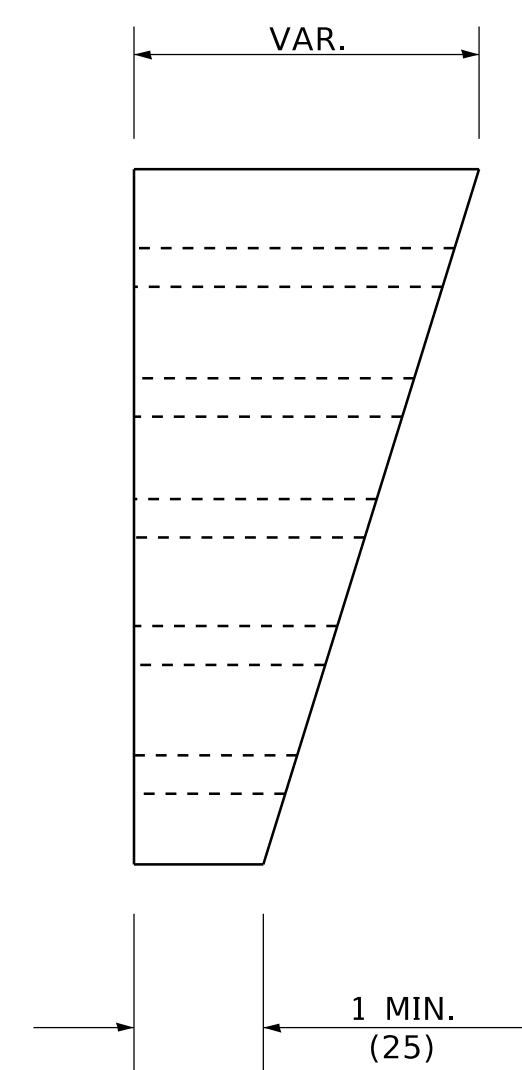
**POSTS 1-11 WOOD BLOCKOUT DETAIL**



**POST 12 WOOD BLOCKOUT DETAIL**



**PARAPET WOOD BLOCK-OUT DETAIL**



**PARAPET STEEL BEARING PLATE DETAIL**

(5 EACH INDIVIDUAL 5X5X 5/8 (125x125x16) STEEL PLATES WITH CENTERED 1 (25) HOLES MAY BE SUBSTITUTED FOR THE PLATE SHOWN.)

ILLINOIS STATE STANDARD:  
631031-05 02/19/2008

MODEL: Default  
FILE: M:\MTE\_PlanRoom\dot.illinois.gov\PIW\DOT\Documents\DOT\_Offices\District\_1\Projects\IHS\0223\1\CAD\Drawn\CAD\Sheets\bm22.dgn  
3/11/2019 2:11:54 PM User: footej

|                            |            |                                |
|----------------------------|------------|--------------------------------|
| USER NAME = footej         | DESIGNED - | REVISED -                      |
| PLOT SCALE = 50.0000 "/in. | DRAWN -    | REVISED - 631031-05 02/19/2008 |
| PLOT DATE = 3/11/2019      | CHECKED -  | REVISED -                      |
|                            | DATE -     | REVISED -                      |

**STATE OF ILLINOIS  
DEPARTMENT OF TRANSPORTATION**

|  |         |             |              |
|--|---------|-------------|--------------|
| <b>TYPE 6 TERMINAL<br/>FOR USE WITH 21" HIGH SPBGR</b> |         |             |              |
| SCALE: NONE  | SHEET 3 | OF 3 SHEETS | STA. TO STA. |

|           |              |                  |              |           |
|-----------|--------------|------------------|--------------|-----------|
| F.A. RTE. | SECTION      | COUNTY           | TOTAL SHEETS | SHEET NO. |
|           | <b>BM 22</b> |                  |              |           |
| ILLINOIS  |              | FED. AID PROJECT |              |           |