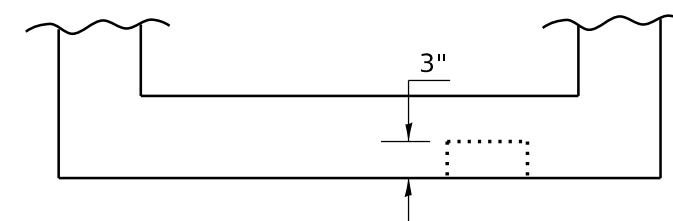


ELEVATION



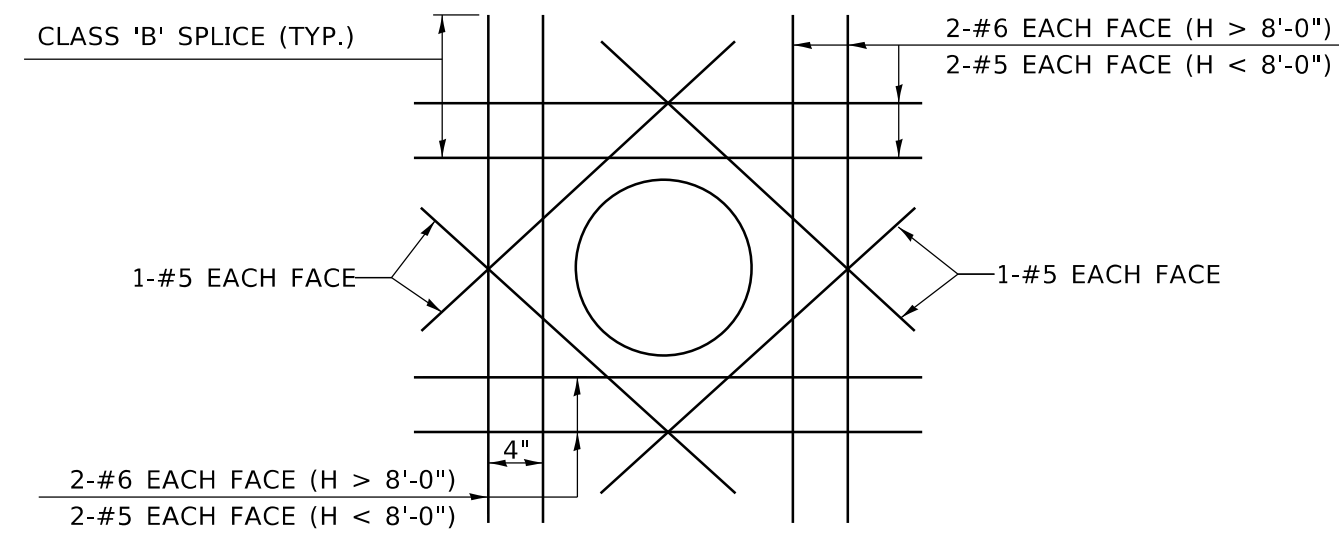
PLAN

AS SHOWN PROVIDE ON EACH FACE ONE (1) 3" DEEP DEPRESSION FOR USE AS UNDERDRAIN CONNECTIONS.

USE: 5" DIAMETER FOR 4" P.U.
7" DIAMETER FOR 6" P.U.
9" DIAMETER FOR 8" P.U.

REFER TO PLANS FOR SIZE & LOCATION OF UNDERDRAIN

PIPE UNDERDRAIN CONNECTION DETAIL



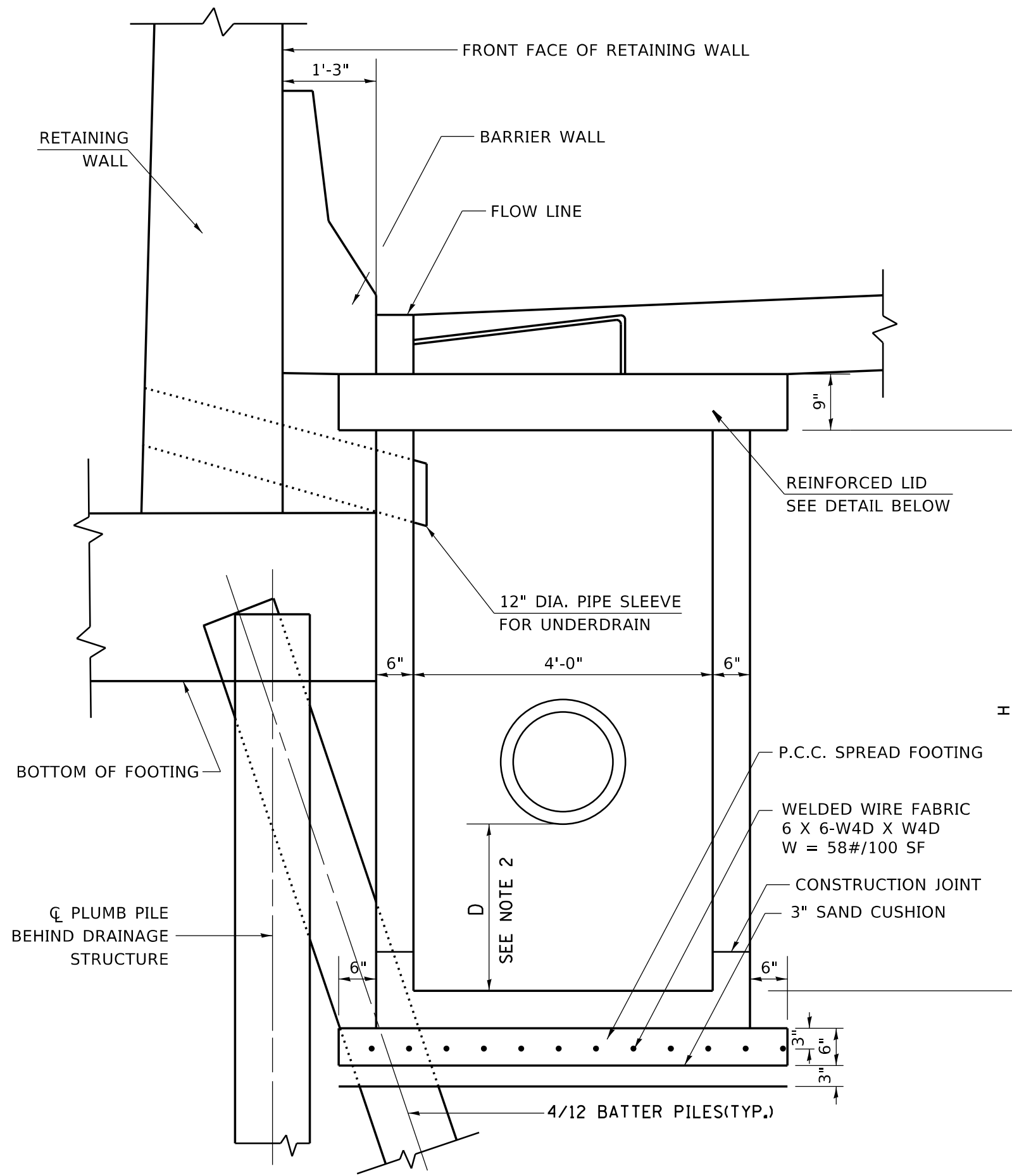
TYPICAL REINFORCEMENT DETAIL AROUND OPENINGS

(OPENING ≥ 12")

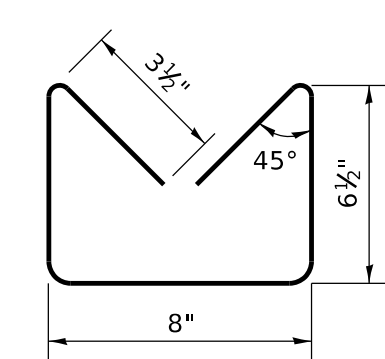
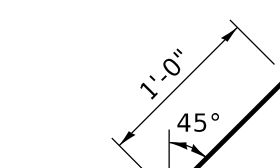
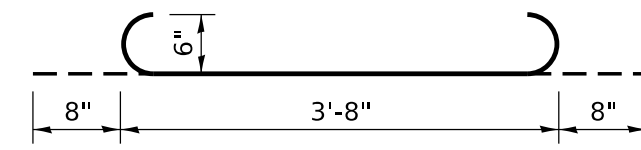
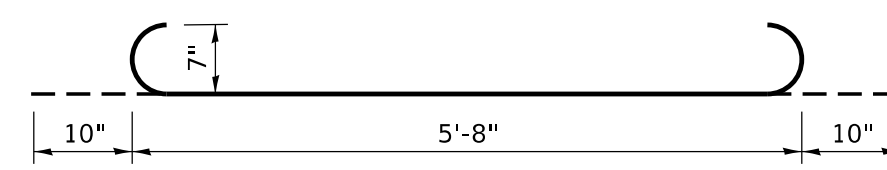
WHERE CLASS 'B' SPLICE LENGTH ANCHORAGE IS NOT POSSIBLE, BARS SHOULD BE HOOKED.

NOTES:

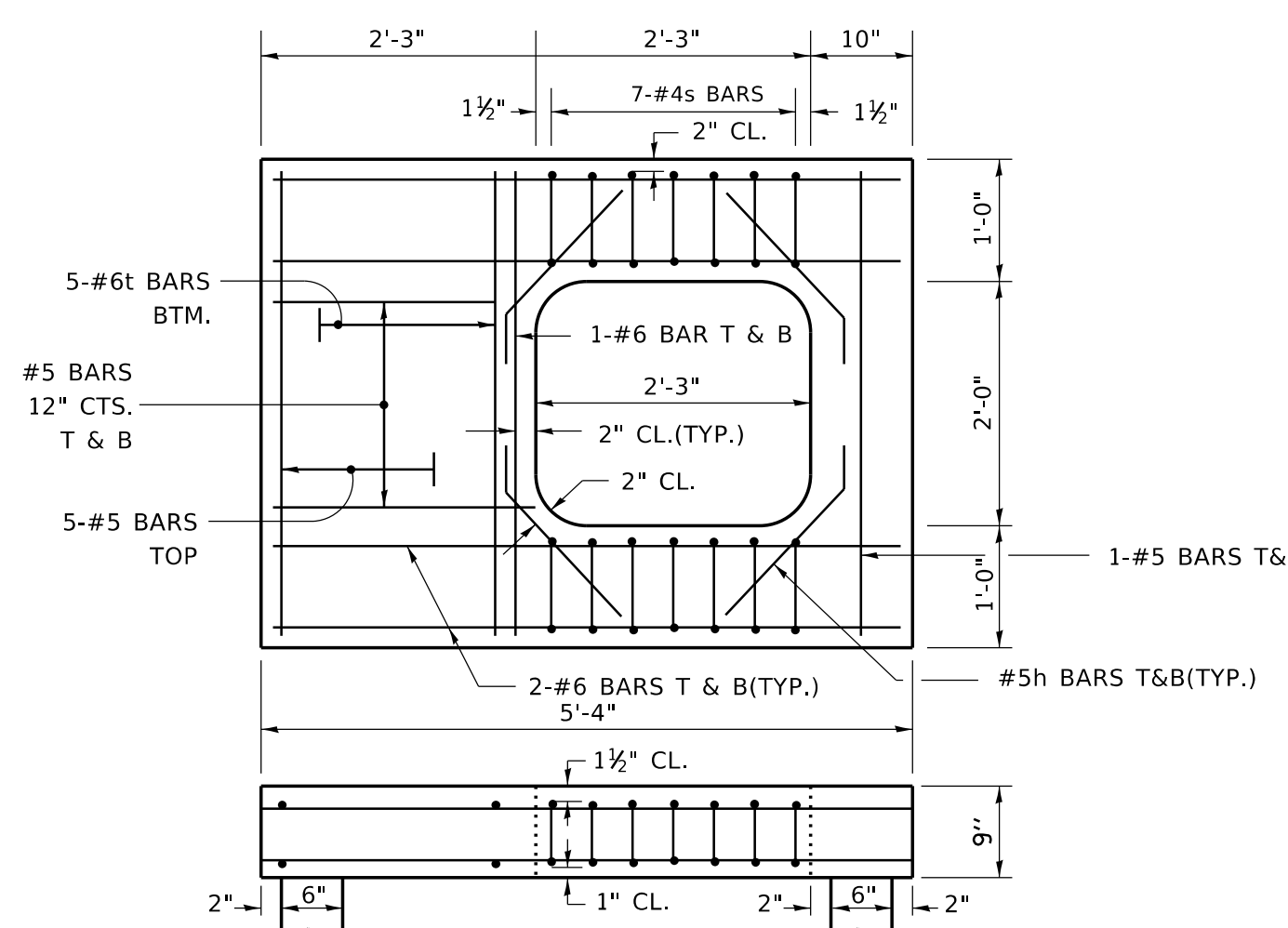
1. DRAINAGE STRUCTURE SHALL CONFORM TO I.D.O.T. STANDARD 2384 EXCEPT AS NOTED.
2. D = 0' FOR INLETS
D = 3' FOR C.B.'S
3. SAND CUSHION SHALL CONFORM TO THE REQUIREMENTS OF ARTICLE 703.01 (FA1 OR FA2).
4. THE FOOTING WILL NOT BE PAID FOR SEPARATELY, BUT SHALL BE CONSIDERED INCIDENTAL TO THE DRAINAGE STRUCTURE.
5. REINFORCEMENT FOR STRUCTURE WALLS AND BASE SLAB SHALL BE IN ACCORDANCE WITH STD. 2384 FOR DEPTHS UP TO H=8'-0"
6. STEPS SHALL BE INCLUDED IN ALL STRUCTURES



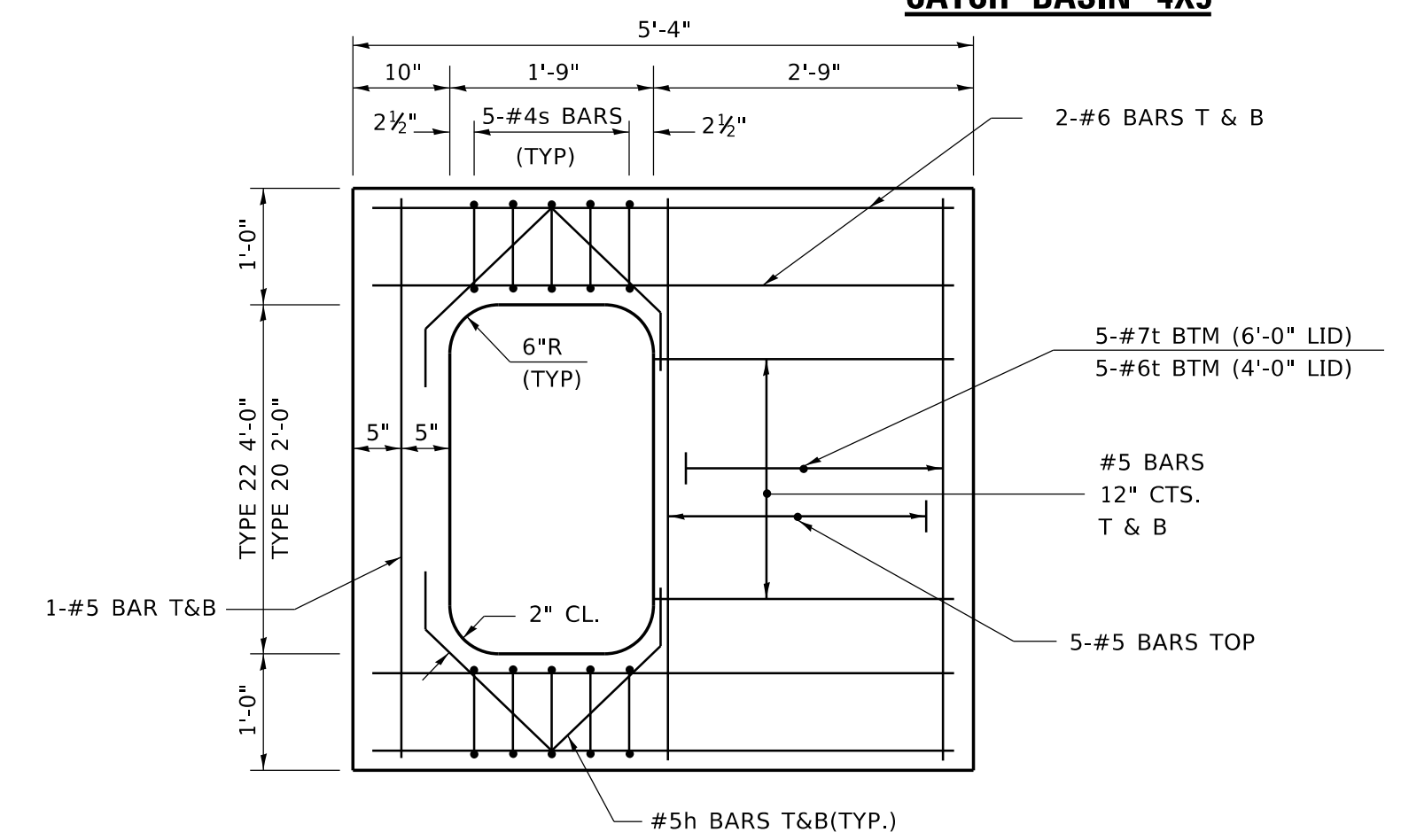
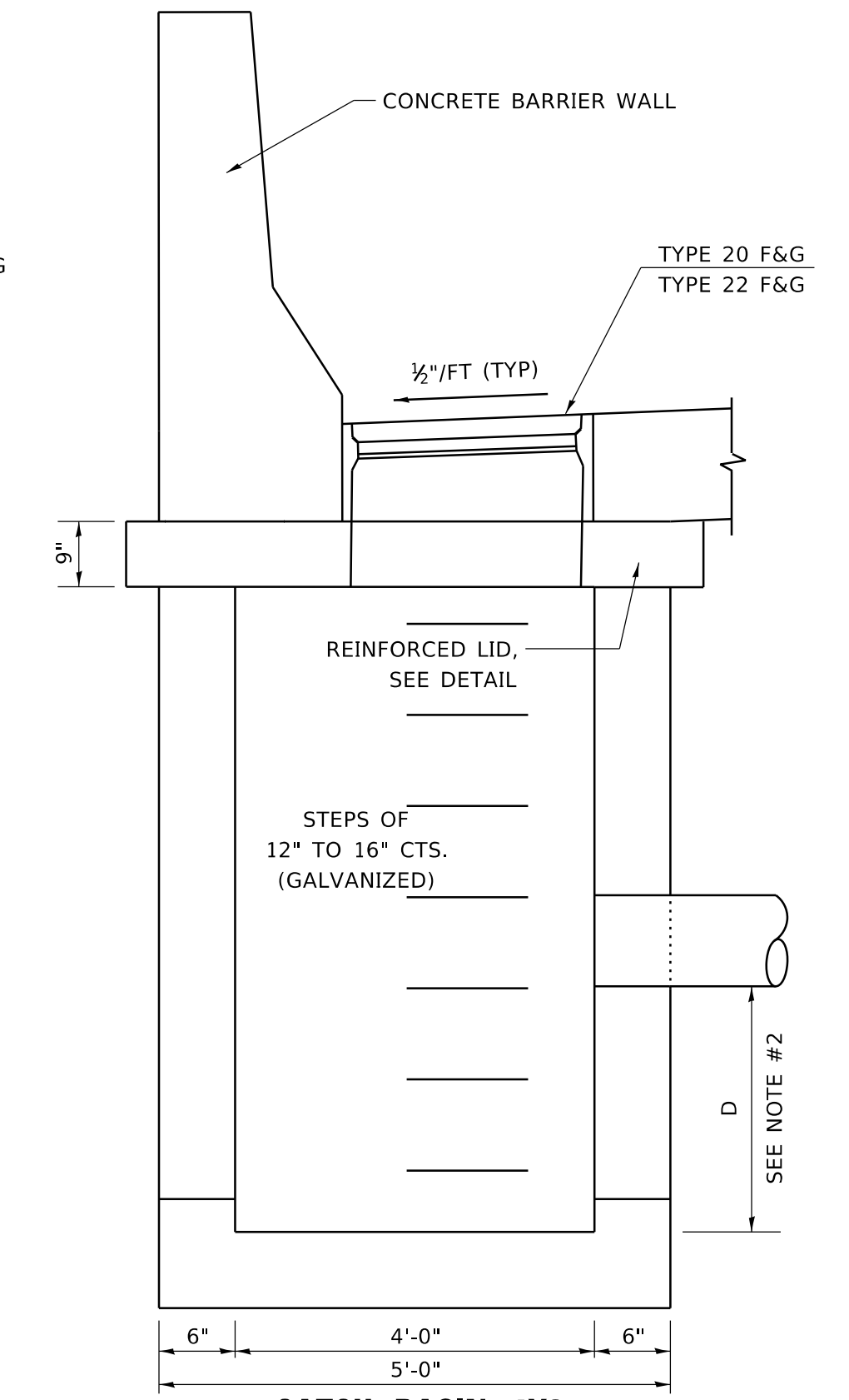
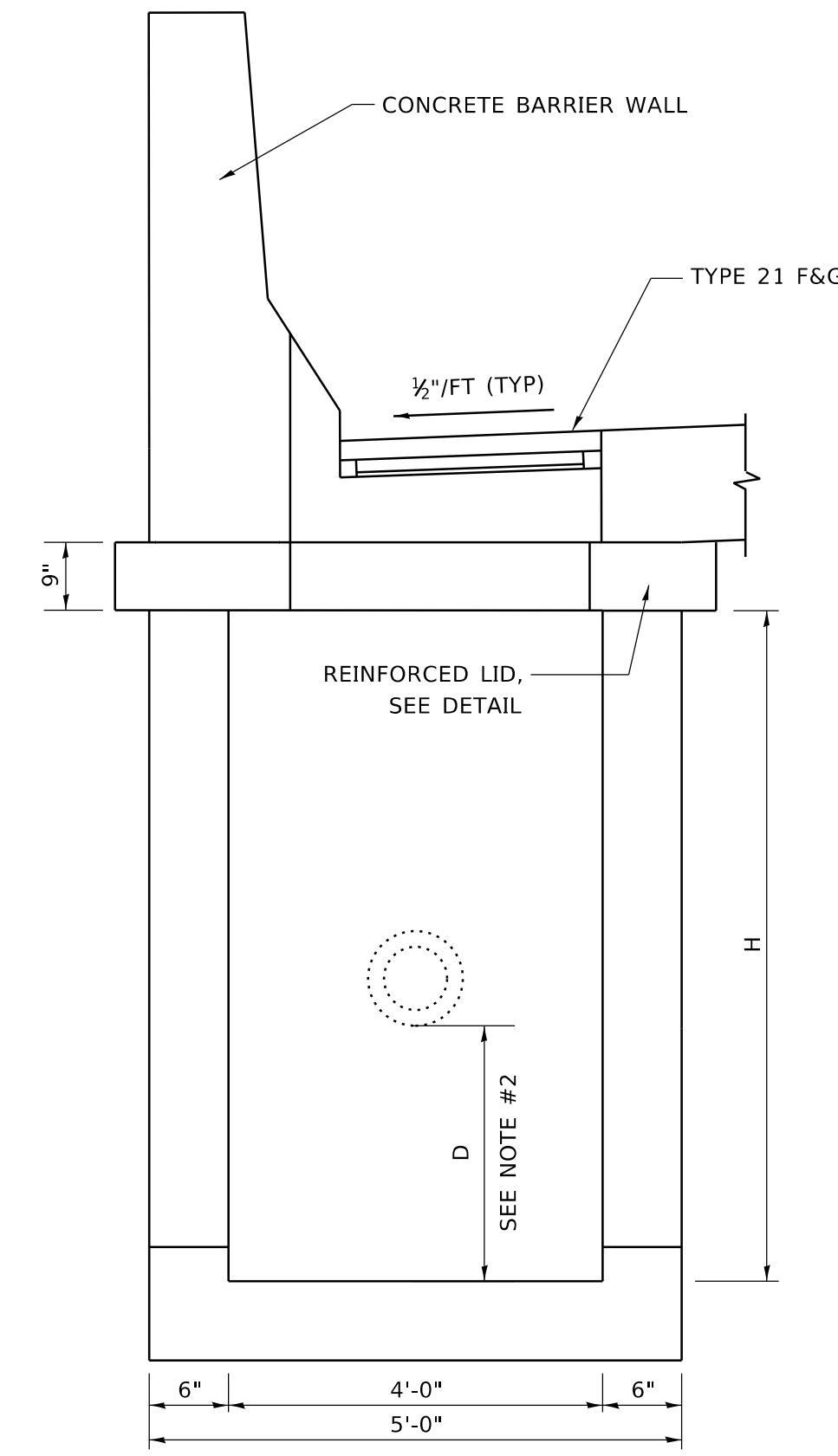
CATCH BASIN ALONG RETAINING WALLS



BAR DETAILS



DRAINAGE STRUCTURES ALONG BARRIER WALL



STATE OF ILLINOIS
DEPARTMENT OF TRANSPORTATION

CATCH BASIN AND INLET
4x3 AND 4x5 FOR H < 8'-0"

SCALE: NONE SHEET 1 OF 1 SHEETS STA. TO STA.

F.A. RTE.	SECTION	COUNTY	TOTAL SHEETS	SHEET NO.
CS-07		CONTRACT NO.		
ILLINOIS FED. AID PROJECT				

MODEL: D:\default... FILE: NAME: p:\u008a\EBID\NTEG... I:\projects\1145422\234\CADD\Drawn\CAD\Sheet\CS07.dgn