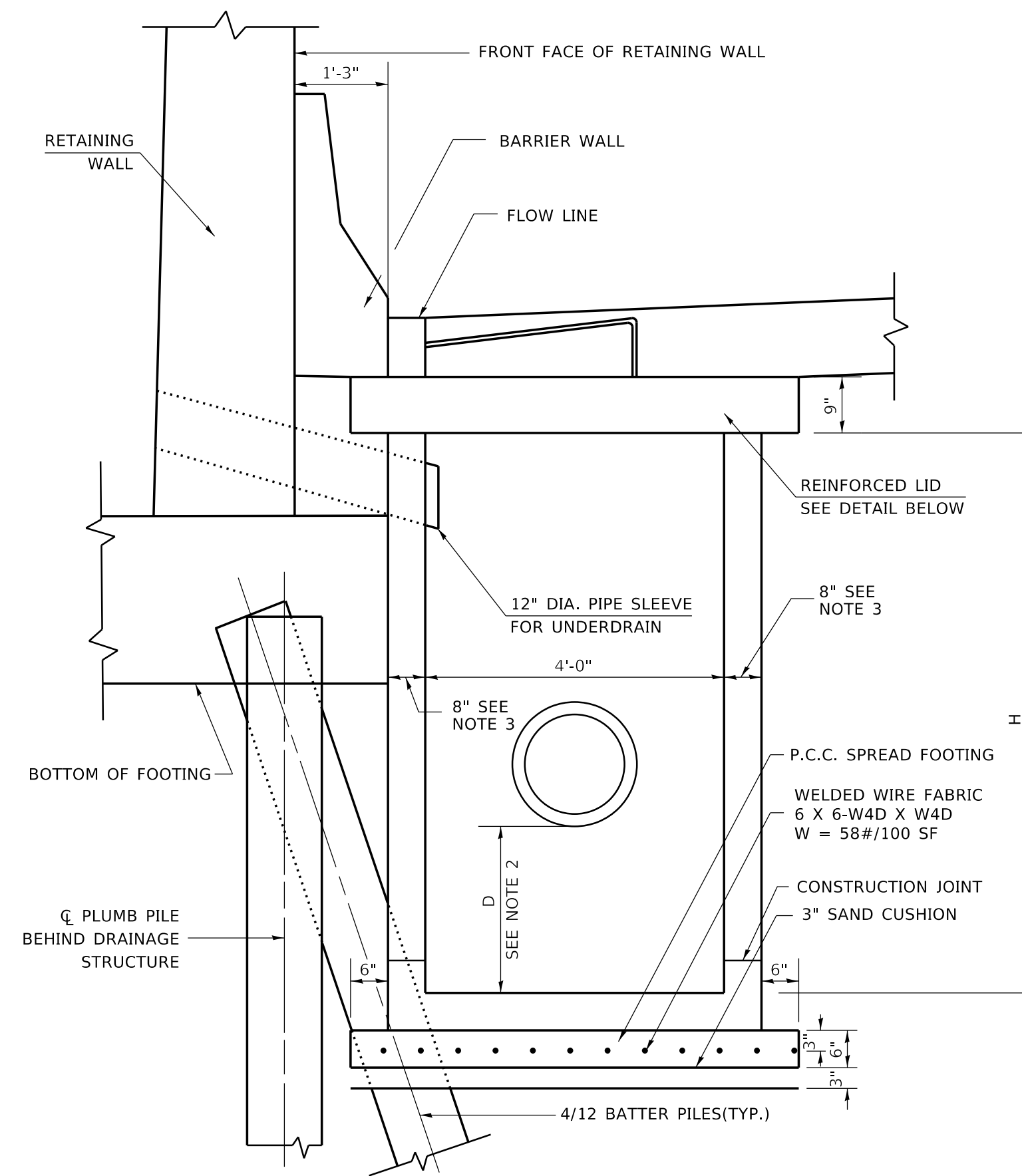


PIPE UNDERDRAIN CONNECTION DETAIL

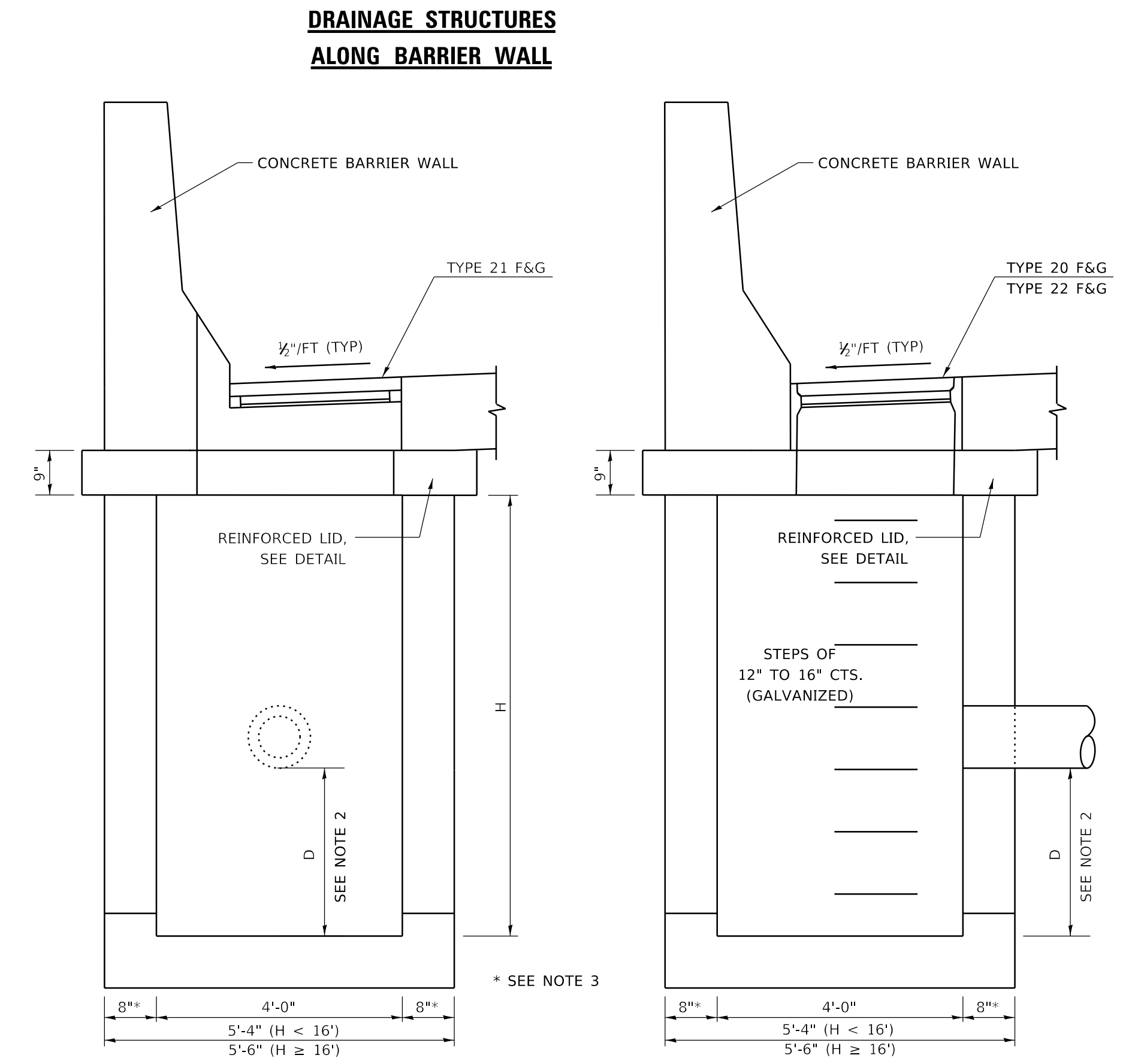
AS SHOWN PROVIDE ON EACH FACE ONE (1) 3" DEEP DEPRESSION FOR USE AS UNDERDRAIN CONNECTIONS.

USE: 5" DIAMETER FOR 4" P.U.
7" DIAMETER FOR 6" P.U.
9" DIAMETER FOR 8" P.U.

REFER TO PLANS FOR SIZE & LOCATION OF UNDERDRAIN



CATCH BASIN ALONG RETAINING WALLS

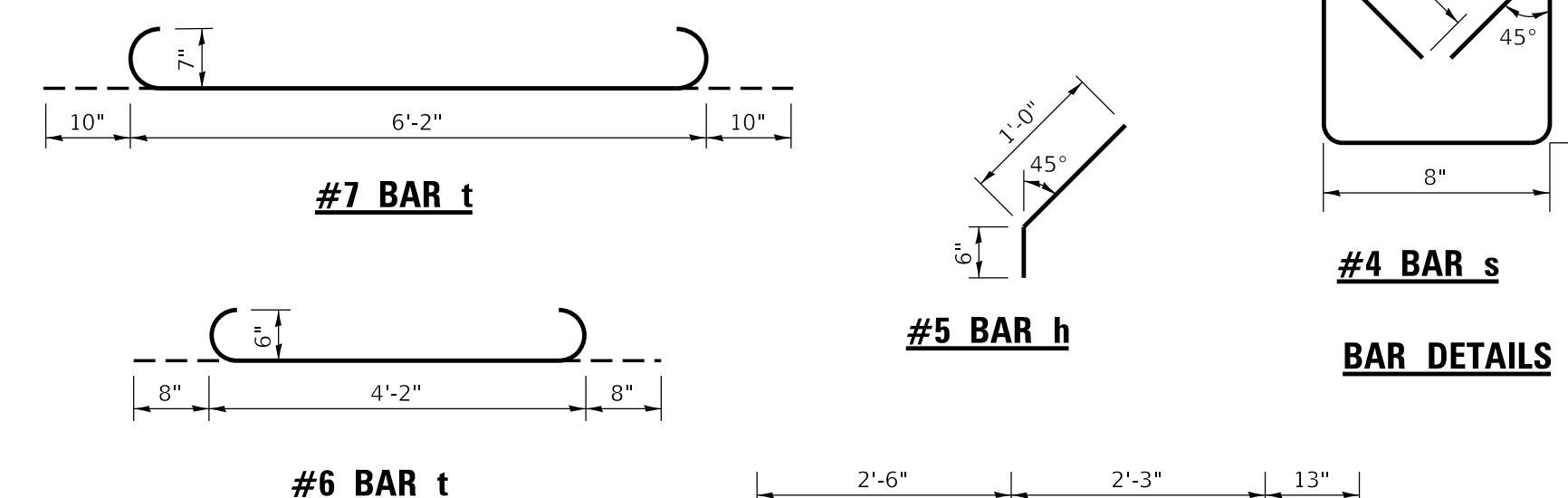


4X3 WITH ONE TYPE 21 F&G

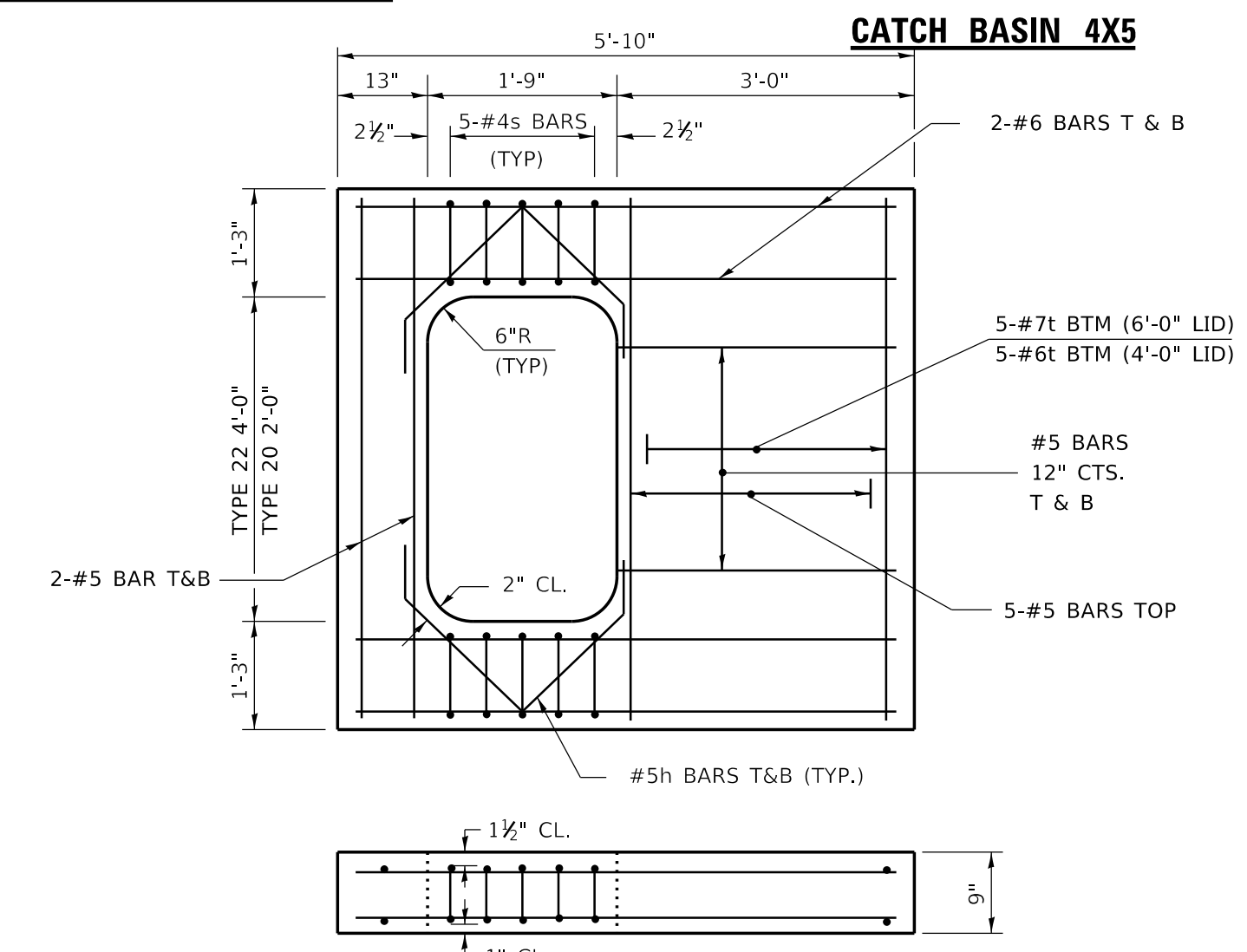
CATCH BASIN 4X5

REINFORCEMENT BAR SCHEDULE						
	H	8FT-10FT	10FT-12FT	12FT-14FT	14FT-18FT	18FT-22FT
HORIZONTAL BARS IN WALLS	BAR SIZE	#5	#5	#6	#6	#6
	SPACING	12" CTS	12" CTS	12" CTS	12" CTS	12" CTS
VERTICAL BARS IN WALLS	BAR SIZE	#5	#5	#5	#5	#5
	SPACING	12" CTS	12" CTS	12" CTS	12" CTS	12" CTS
BARS IN BASE SLAB	BAR SIZE	#5	#5	#5	#5	#5
	SPACING	12" CTS	12" CTS	12" CTS	12" CTS	12" CTS
	H	≤ 10 FT	> 10FT ≤ 12FT	> 12FT ≤ 14FT	> 14FT ≤ 18FT	> 18FT ≤ 22FT

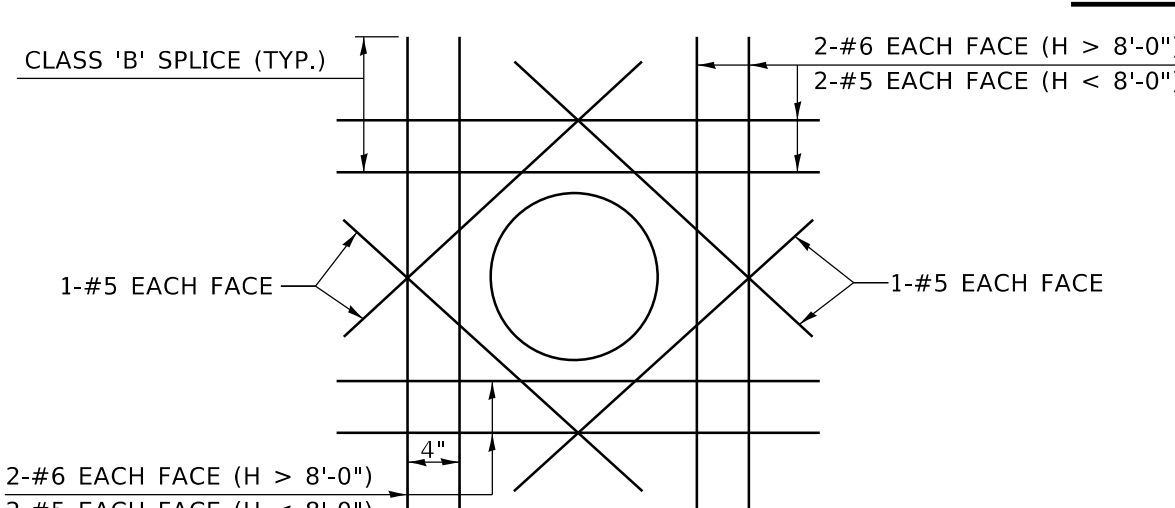
NOTE: PLACE REINFORCEMENT PER STANDARD 2384



BAR DETAILS

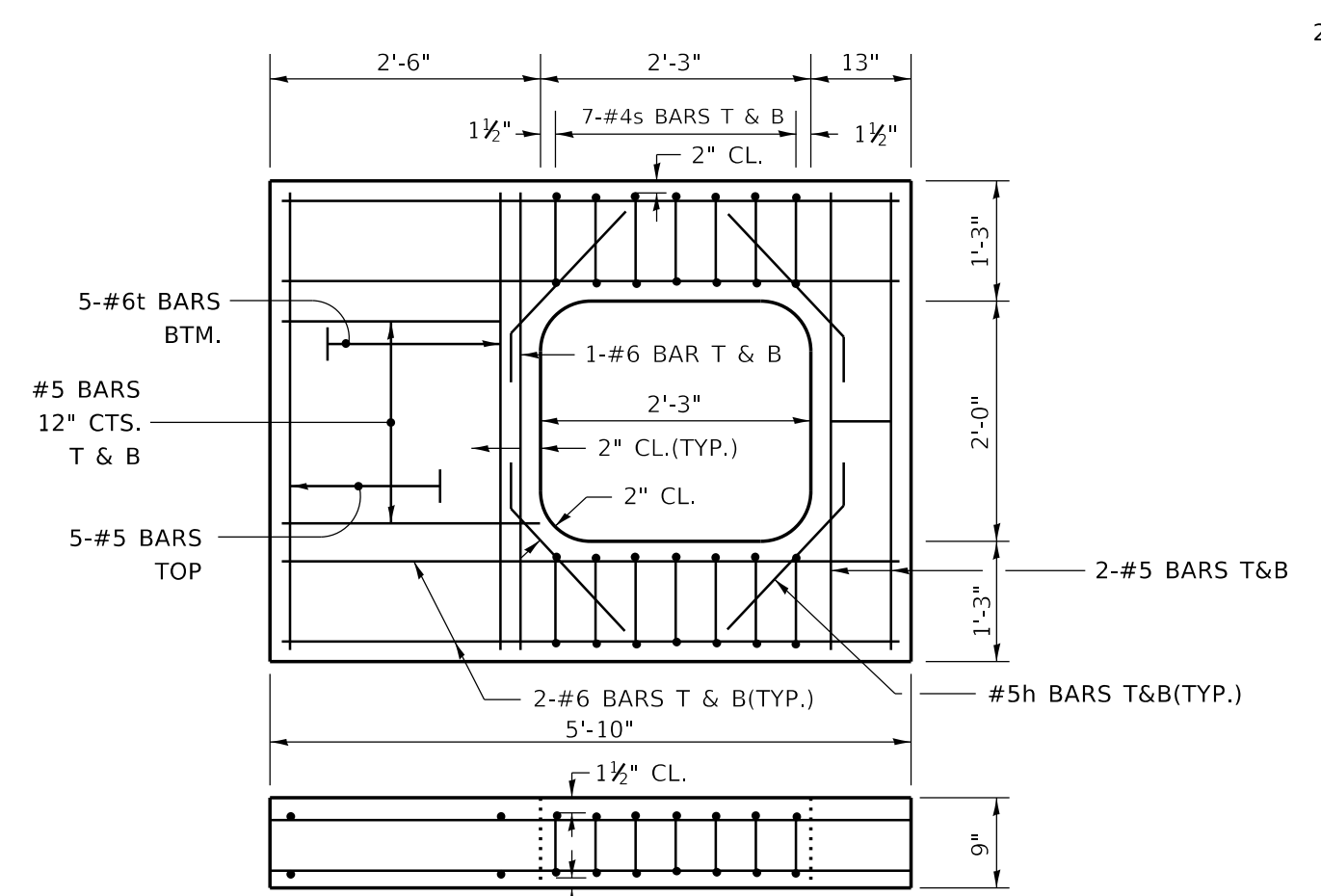


REINFORCED LID FOR TYPE 20 AND 22 F&G



TYPICAL REINFORCEMENT DETAIL AROUND OPENINGS
(OPENING ≥ 12")

WHERE CLASS 'B' SPLICE LENGTH ANCHORAGE IS NOT POSSIBLE, BARS SHOULD BE HOOKED.



REINFORCED LID FOR TYPE 21 F&G

- NOTES:
- DRAINAGE STRUCTURE SHALL CONFORM TO I.D.O.T. STANDARD 2384 EXCEPT AS NOTED.
 - D = 0' FOR INLETS
D = 3' FOR C.B.'S
 - WHEN H ≥ 16'-0", THICKNESS OF WALL AND BASE SLAB SHALL BE INCREASED TO 9".
 - SAND CUSHION SHALL CONFORM TO THE REQUIREMENTS OF ARTICLE 703.01 (FA1 OR FA2).
 - THE FOOTING WILL NOT BE PAID FOR SEPARATELY, BUT SHALL BE CONSIDERED INCIDENTAL TO THE DRAINAGE STRUCTURE.

MODEL: D:\default... FILE NAME: p:\u0008\EBID\NTEG... PROJECTS\DOT\Documents\DOT... OFFICES\DOT\... 11/15/2019 11:54:27 PM User: footemj

USER NAME = footemj	DESIGNED -	REVISED - 10-18-02
	DRAWN -	REVISED -
PLOT SCALE = 50.0000' / in.	CHECKED -	REVISED -
PLOT DATE = 3/5/2019	DATE -	REVISED -

**STATE OF ILLINOIS
DEPARTMENT OF TRANSPORTATION**

**CATCH BASIN AND INLET
4x3 & 4x5 FOR H > 8'-0"**

SCALE: NONE SHEET 1 OF 1 SHEETS STA. TO STA.

F.A. RTE.	SECTION	COUNTY	TOTAL SHEETS	SHEET NO.
	CS-08			
ILLINOIS		CONTRACT NO.		
FED. AID PROJECT				