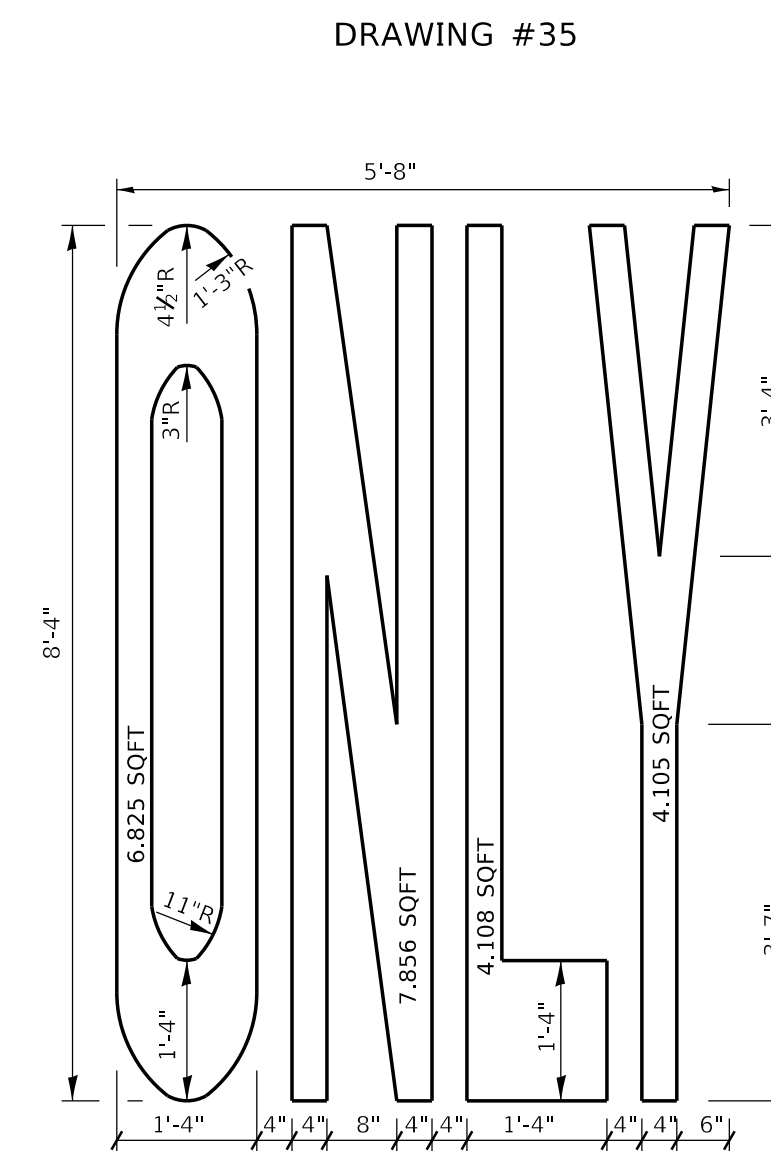
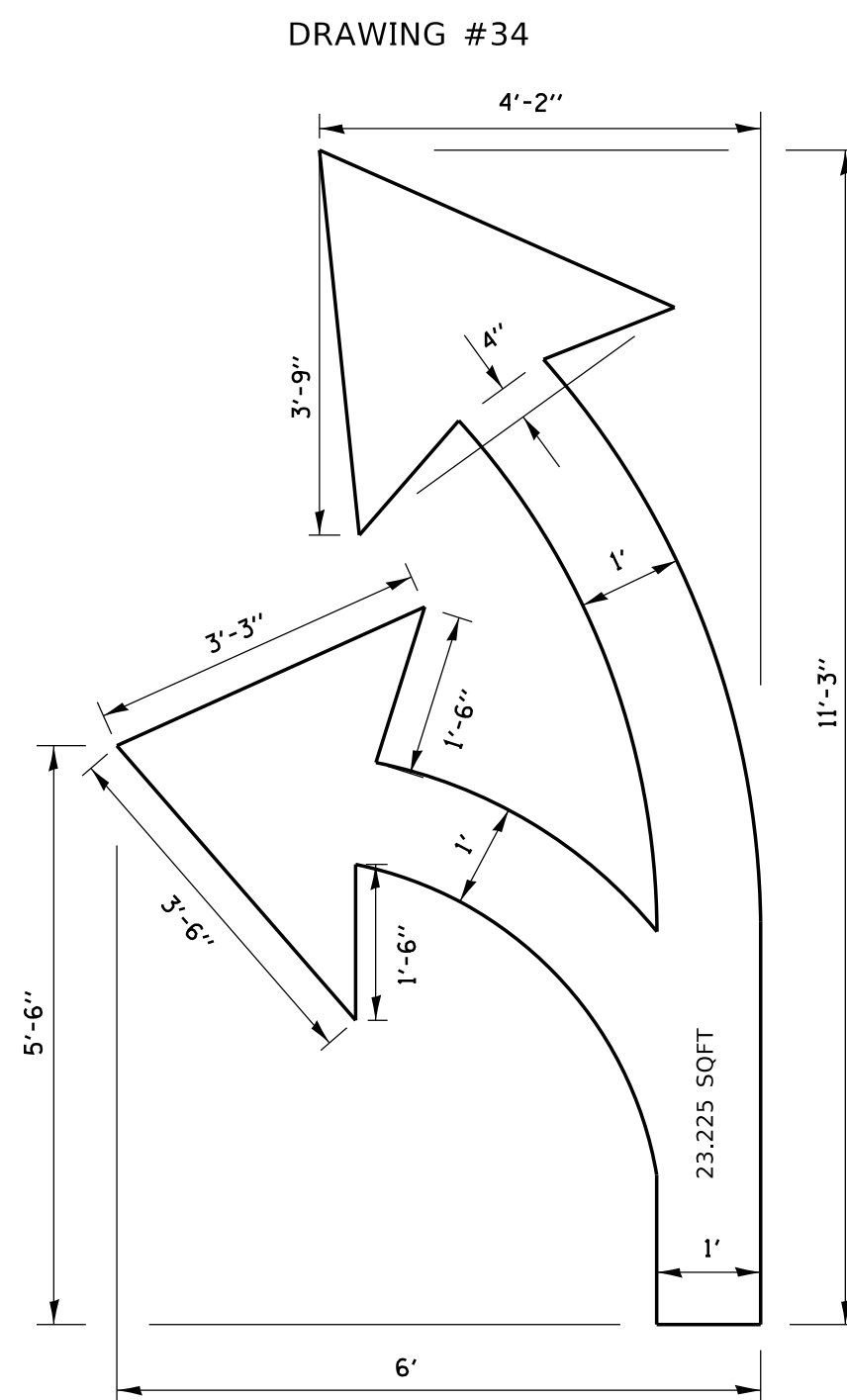
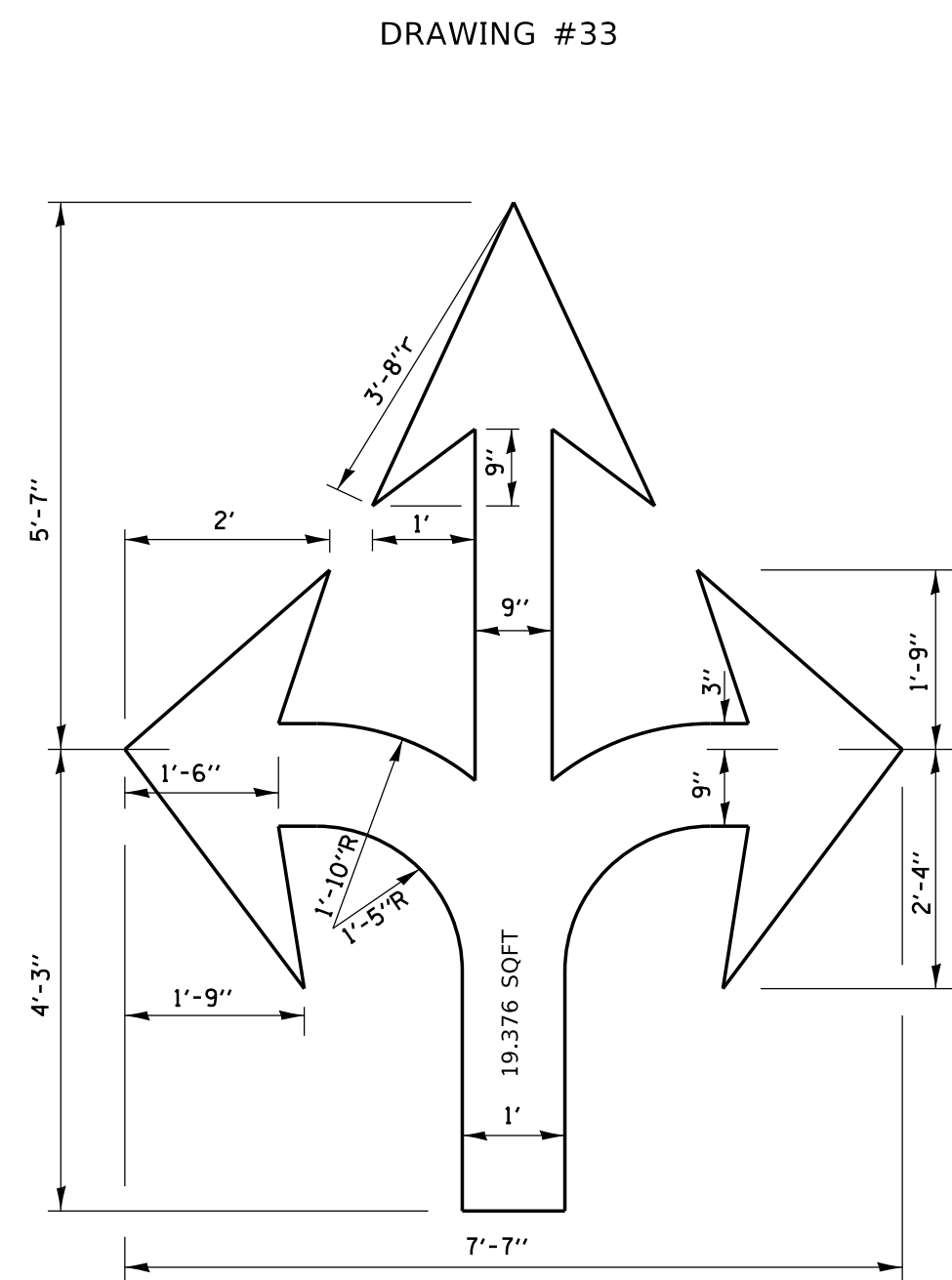
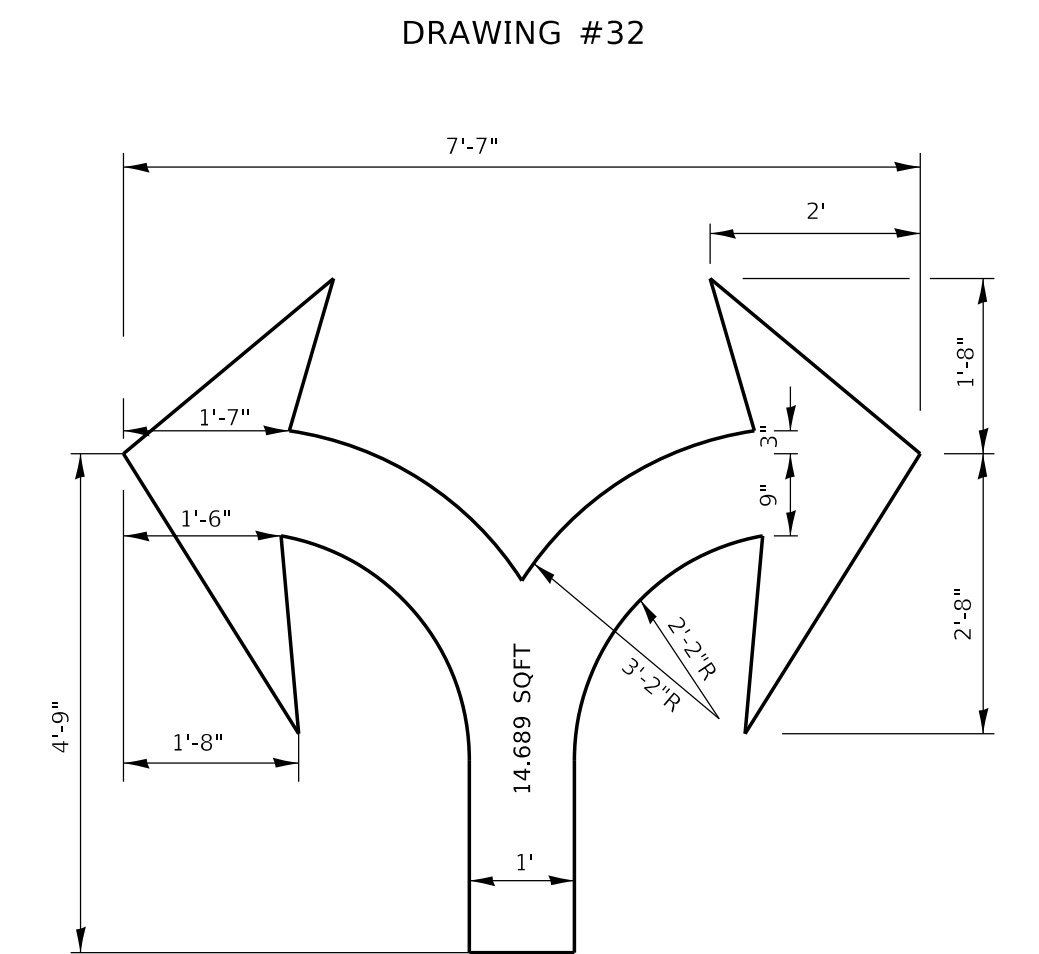
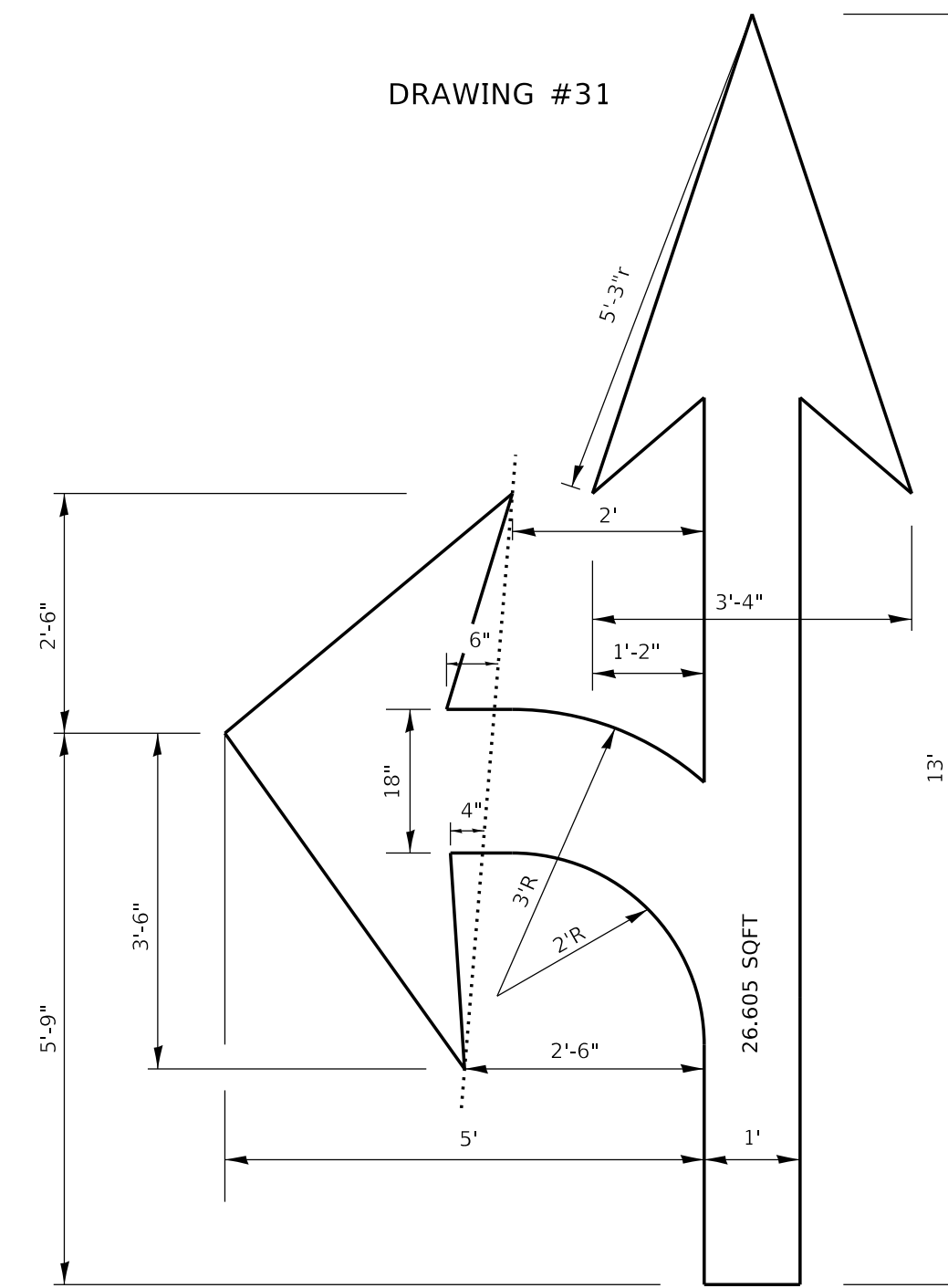
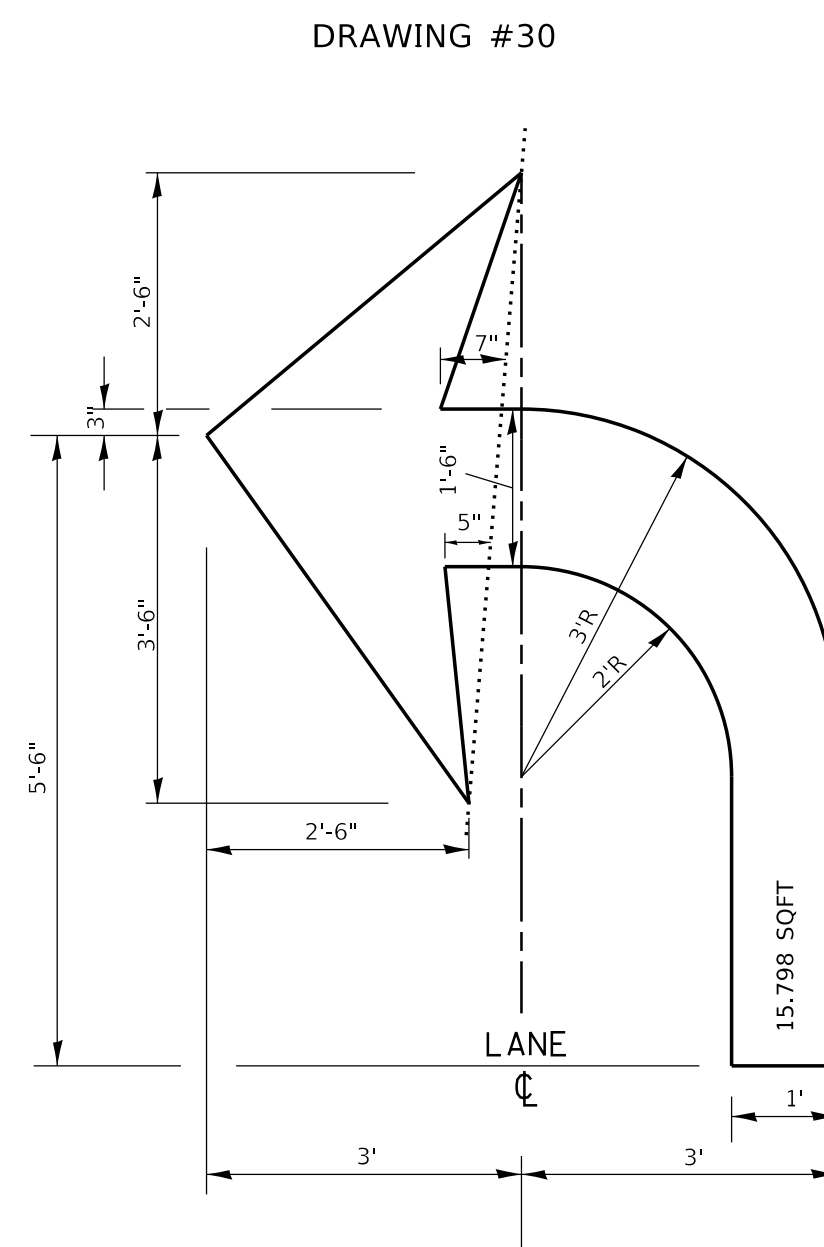
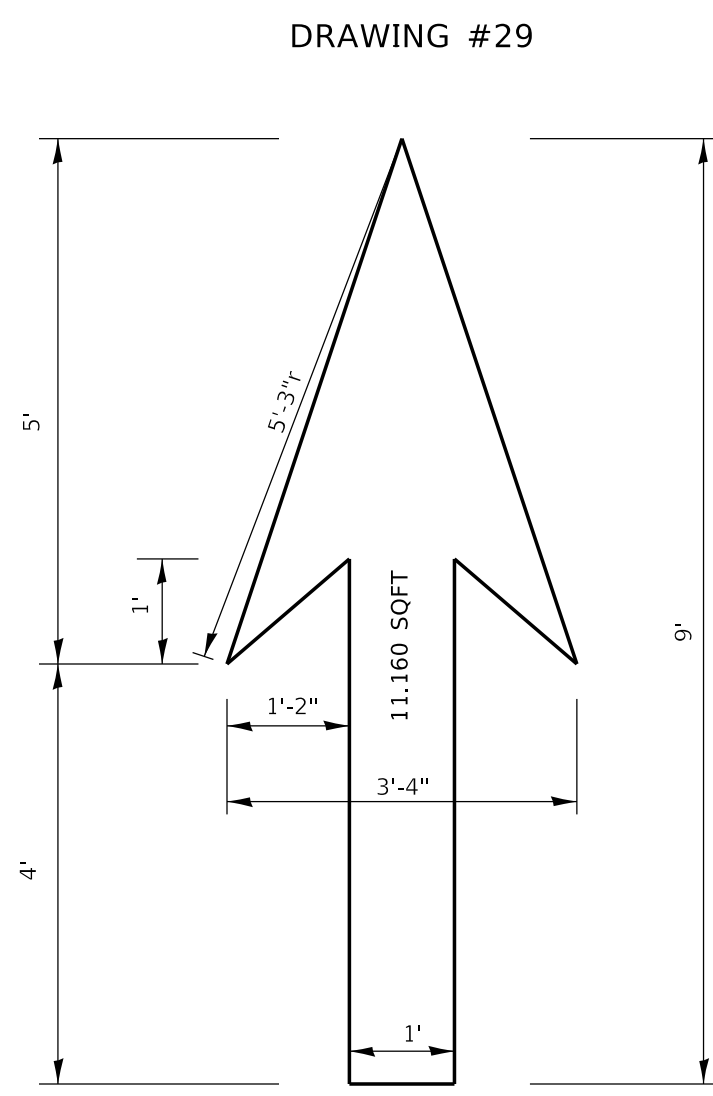


NOTE:

1. FOR BIKE LANE SYMBOLS ONLY, USE PRE-FORMED THERMOPLASTIC WITH A MINIMUM THICKNESS OF 90 MILS, MINIMUM SKID RESISTANCE VALUE OF 60 BPN, & A MINIMUM INDEX OF REFRACTION OF 1.50.
2. THE RESIDENT ENGINEER SHALL CONTACT MR. BEN GOMBERG AT 312-744-8093 AT LEAST ONE CALENDAR WEEK PRIOR TO INSTALLING BIKE LANE SYMBOLS.

TYPICAL BIKE LANE SYMBOLS
DRAWING #28



NOTE:

ALL MARKINGS SHALL BE SOLID WHITE UNLESS OTHERWISE NOTED IN THE PLANS

MODEL: D:\default... FILE NAME: p:\u088\EBID\NTEG... PROJECTS\DIR\5422\31\CADD\DATA\CAD\sheet\TC24.dgn

USER NAME = footemj	DESIGNED -	REVISED - T. RAMMACHER 12-07-00
PLOT SCALE = 50.0000' / in.	DRAWN -	REVISED -
PLOT DATE = 3/4/2019	CHECKED -	REVISED -
	DATE -	REVISED -

STATE OF ILLINOIS
DEPARTMENT OF TRANSPORTATION

CITY OF CHICAGO
TYPICAL PAVEMENT MARKINGS

SCALE: NONE SHEET 2 OF 3 SHEETS STA. TO STA.

F.A. RTE.	SECTION	COUNTY	TOTAL SHEETS	SHEET NO.
TC-24		CONTRACT NO.		
ILLINOIS		FED. AID PROJECT		