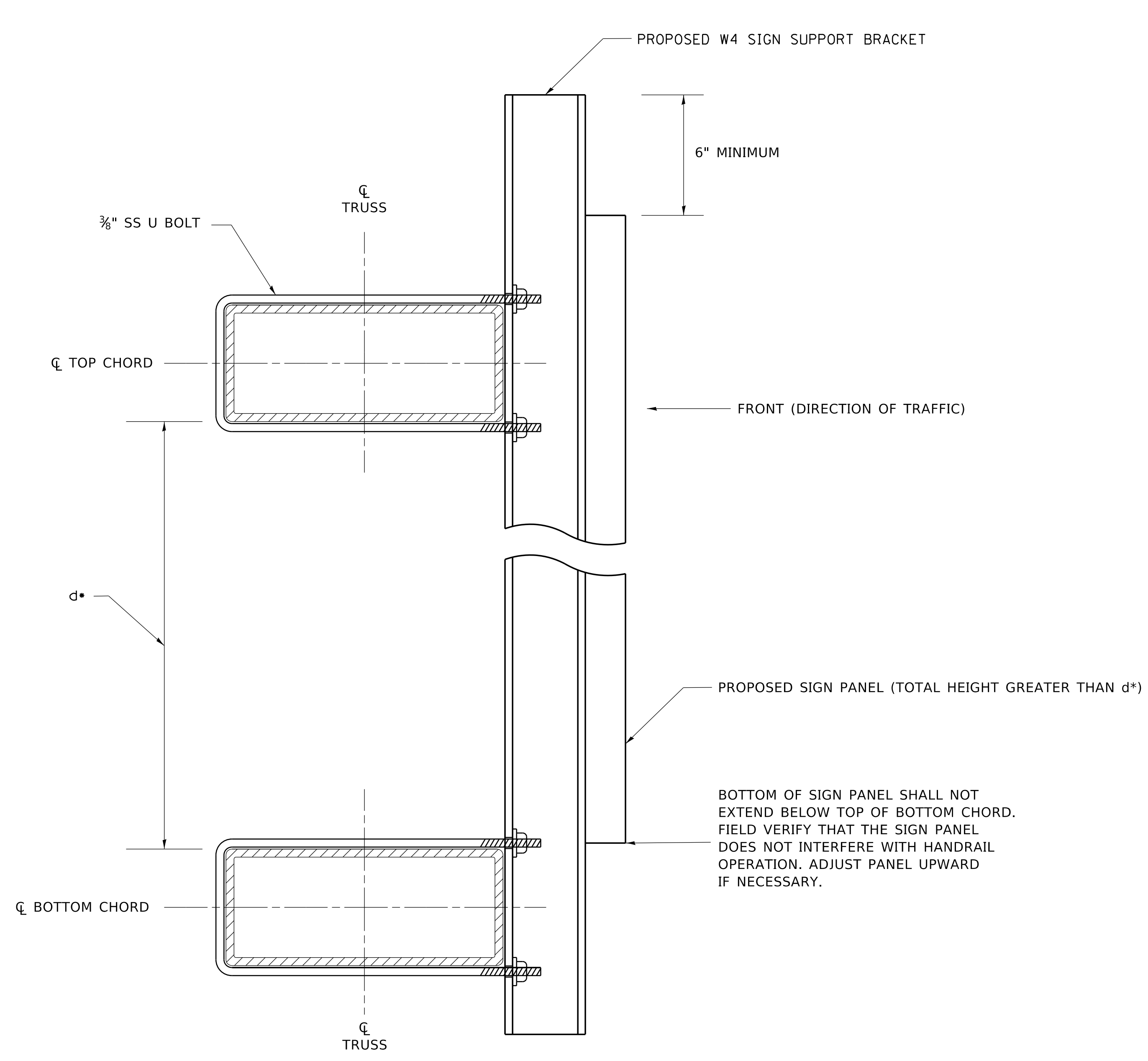


SIDE VIEW

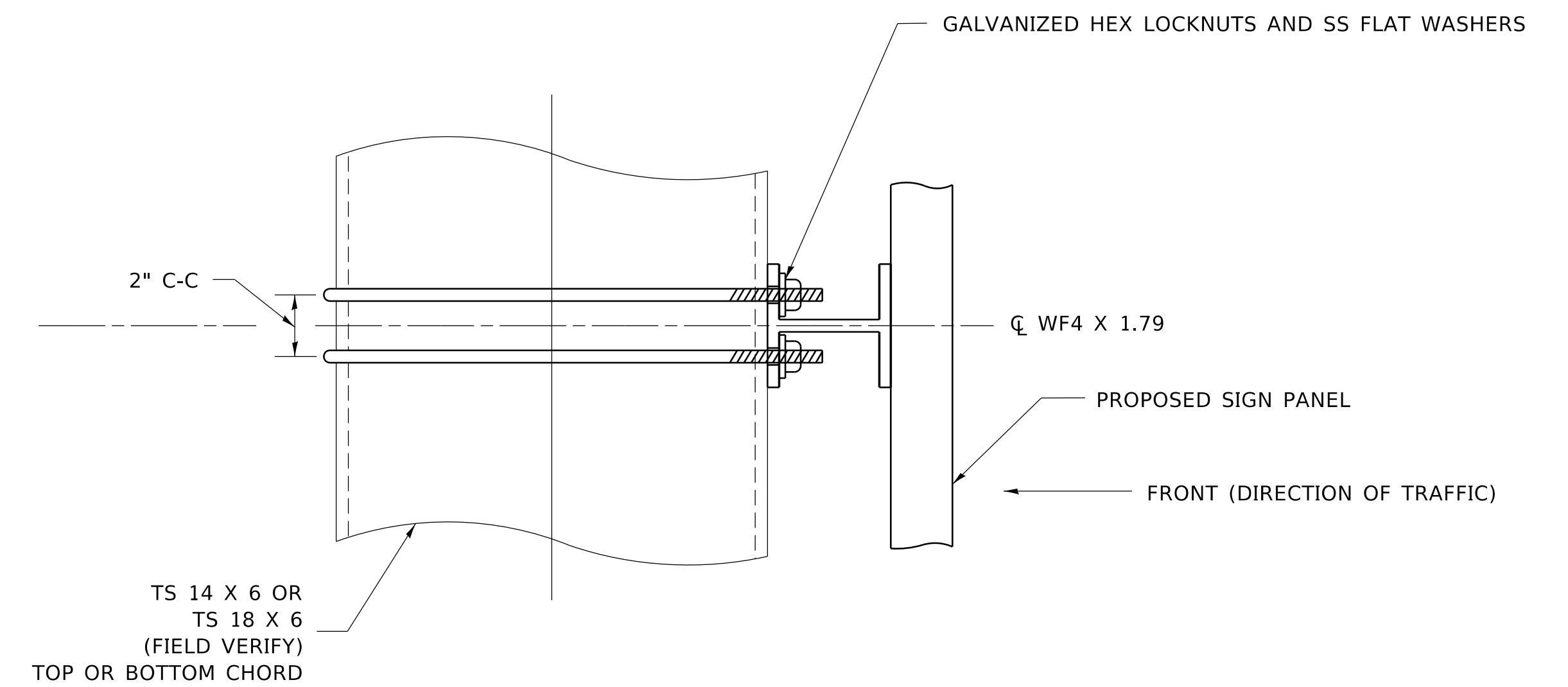


BOTTOM OF SIGN PANEL SHALL NOT EXTEND BELOW TOP OF BOTTOM CHORD. FIELD VERIFY THAT THE SIGN PANEL DOES NOT INTERFERE WITH HANDRAIL OPERATION. ADJUST PANEL UPWARD IF NECESSARY.

d* - CLEAR SPAN BETWEEN TOP AND BOTTOM CHORDS

NOT TO SCALE

TOP VIEW



BRACKET TABLE

WF(A-N)4x1.79 ASTM B308, ALLOY 6061-T6		
SIGN WIDTH		NUMBER BRACKETS REQUIRED
GREATER THAN	LESS THAN OR EQUAL TO	
	8'-0"	2
8'-0"	14'-0"	3
14'-0"	20'-0"	4
20'-0"	26'-0"	5
26'-0"	32'-0"	6

NOTES:

1. CONTRACTOR SHALL FIELD VERIFY ALL DIMENSIONS PRIOR TO FABRICATION.
2. PROPOSED SIGN SUPPORT BRACKETS ARE REQUIRED FOR SIGN PANELS WITH ANY SEGMENT HEIGHT EXCEEDING d*.
3. THE ENTIRE HEIGHT OF ANY SIGN PANEL SEGMENT SHALL BE FULLY SUPPORTED.
4. SPACING OF PROPOSED SIGN SUPPORT BRACKETS SHALL BE PER BRACKET TABLE WITH A MAXIMUM C-C DISTANCE OF 6'-0"
5. SIGN PANELS OF VARYING SEGMENT HEIGHTS SHALL HAVE A MINIMUM OF TWO (2) SUPPORT BRACKETS PER SEGMENT.

MODEL: Default
FILE: M:\MTE_PlanRoom\dot Illinois.gov\PI\DOT\Documents\DOT_Offices\District 1\Projects\DH5422\31CAD\Drawn\CAD\sheet32_32.dwg 4/23/2019 8:48:38 AM User:footej

USER NAME = footej	DESIGNED - M. MULLER	REVISED -
PLOT SCALE = 50.0000 ' / in.	DRAWN - G. DRIVAKOS	REVISED -
PLOT DATE = 4/23/2019	CHECKED -	REVISED -
	DATE - 10-01-15	REVISED -

**STATE OF ILLINOIS
DEPARTMENT OF TRANSPORTATION**

**OVERHEAD SIGN STRUCTURE SUPPORT DETAIL FOR SIGN PANELS
EXCEEDING HEIGHT IF EXISTING TRUSS**

SCALE: NONE SHEET 1 OF 1 SHEETS STA. TO STA.

F.A. RTE.	SECTION	COUNTY	TOTAL SHEETS	SHEET NO.
TC 32			CONTRACT NO.	
ILLINOIS FED. AID PROJECT				