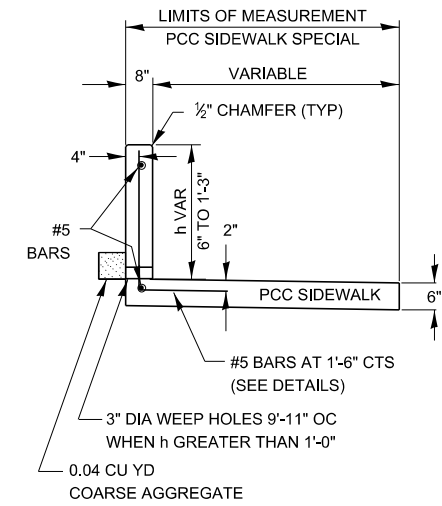
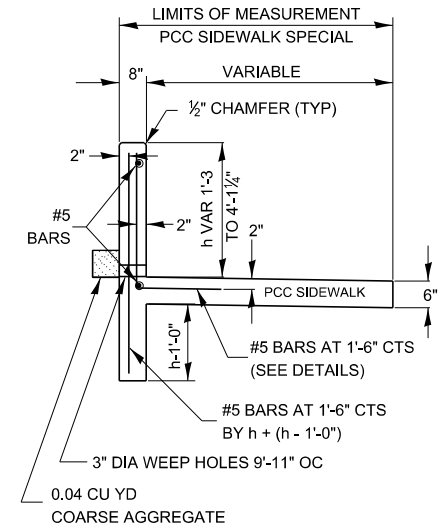


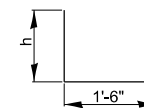
MODEL: det 3 det.tbl
 FILE: \\miller\paw\bw\benley.com\PI\DOT\Documents\DOT Office\DH\det 3\Projects-Carcy Detail\03 Detail Rev\03 SURF CSE PAVT REHAB & SHULD.dgn



TYPE 1



TYPE 2



BENT BAR DETAIL

PCC SIDEWALK SPECIAL WITH RETAINING WALL

424-30

USER NAME = Anthony.Grunstad	DESIGNED -	REVISED -
	DRAWN -	REVISED -
PLOT SCALE = 100,000 ' / in.	CHECKED -	REVISED -
PLOT DATE = 9/27/23	DATE -	REVISED -

**STATE OF ILLINOIS
 DEPARTMENT OF TRANSPORTATION**

SCALE: SHEET OF SHEETS STA. TO STA.

F.A. RTE.	SECTION	COUNTY	TOTAL SHEETS	SHEET NO.
CONTRACT NO.				
ILLINOIS FED. AID PROJECT				