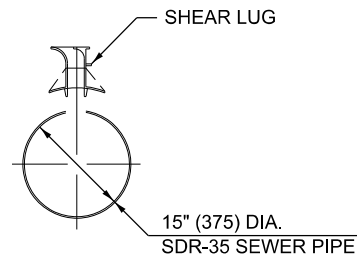
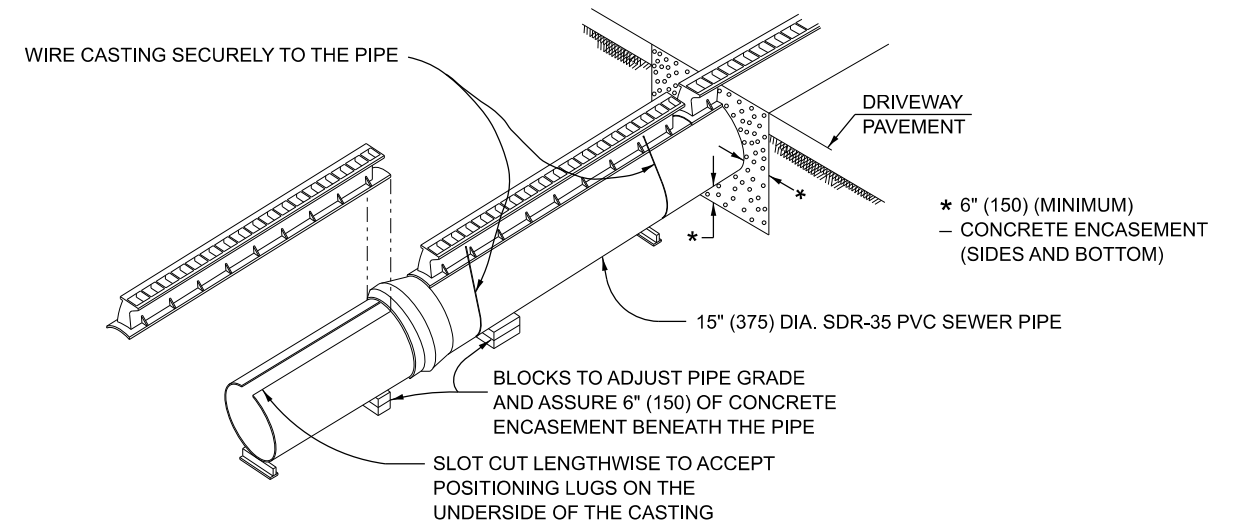


**SECTION B-B**

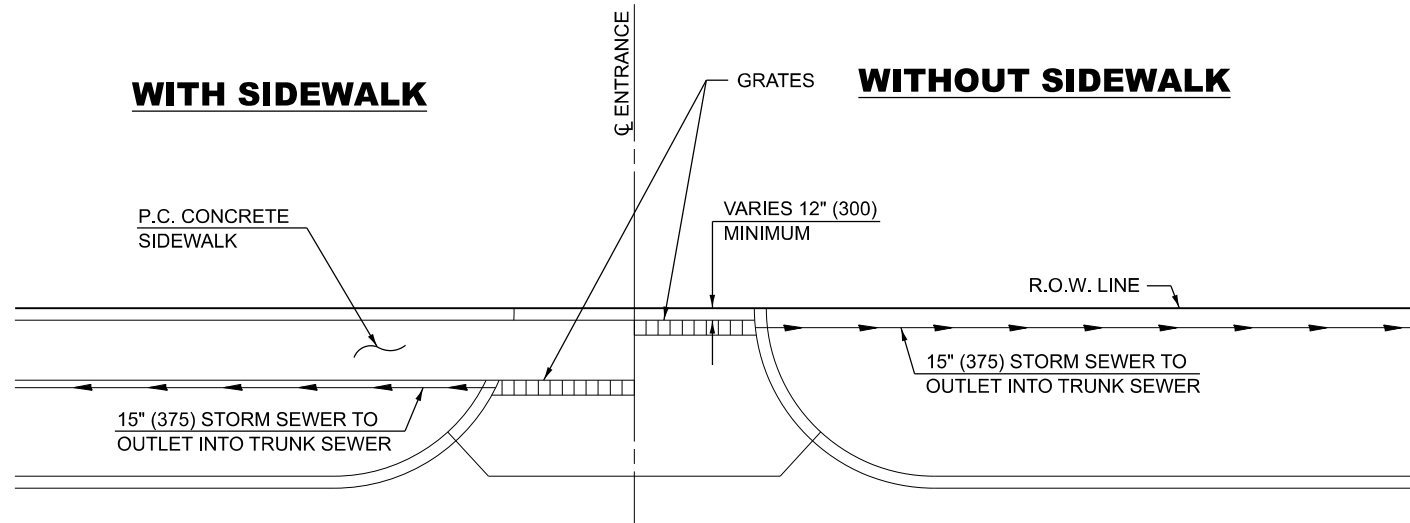


**SECTION A-A**

**SECTION**



**ELEVATION**



**PLAN**

**GENERAL NOTES**

THE GRATES SHALL BE NEENAH R-3599 OR EQUIVALENT. THIS WORK SHALL BE PAID FOR AT THE CONTRACT UNIT PRICE PER FOOT (METER) FOR VANE DRAINS, WHICH PRICE SHALL BE PAYMENT IN FULL FOR ALL LABOR AND MATERIALS NECESSARY FOR THE INSTALLATION OF THE VANE DRAIN. THE STORM SEWER SHALL BE PAID FOR SEPARATELY.

THE PROPOSED STORM SEWER SHALL BE PLUGGED ON THE UPSTREAM END WHERE APPLICABLE.

Note: All dimensions are in INCHES (millimeters) unless otherwise shown.

**DISTRICT 5 DETAIL NO. X0323344**

MODEL: X0323344  
FILE NAME: c:\pwworking\autocad\cadd\0872377\05\###\Sh-Detail\_X0323344.dgn

USER NAME = Bridgette.Pierson	DESIGNED -	REVISED - 11/06
PLOT SCALE = \$\$SCALE\$	DRAWN -	REVISED -
PLOT DATE = 4/26/2024	CHECKED -	REVISED -
	DATE -	REVISED -

**STATE OF ILLINOIS  
DEPARTMENT OF TRANSPORTATION**

**VANE DRAINS**

SCALE: SHEET 1 OF 1 SHEETS STA. TO STA.

F.A. RTE.	SECTION	COUNTY	TOTAL SHEETS	SHEET NO.
CONTRACT NO.				
ILLINOIS FED. AID PROJECT				