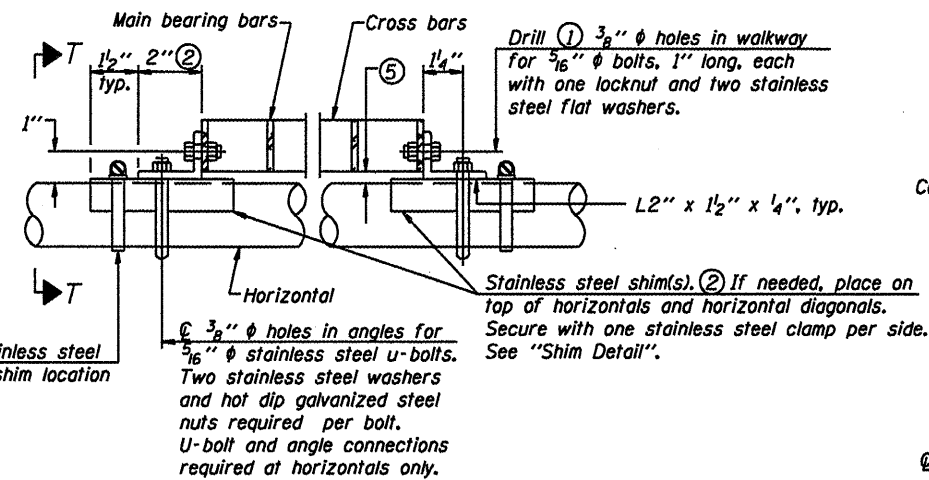


DETAIL W
(Walkway grating)



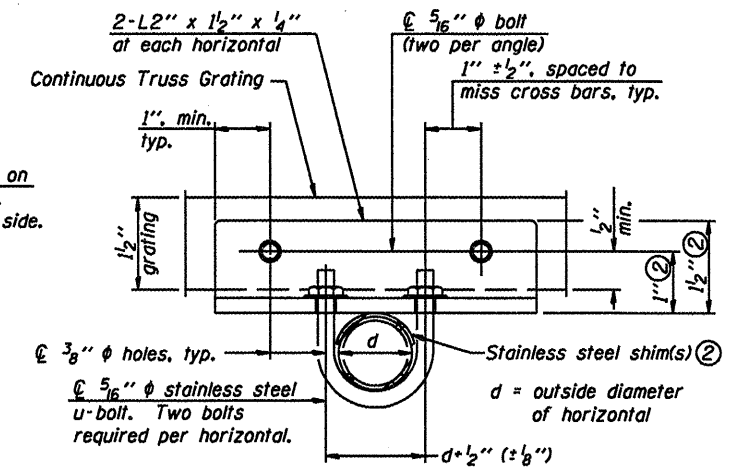
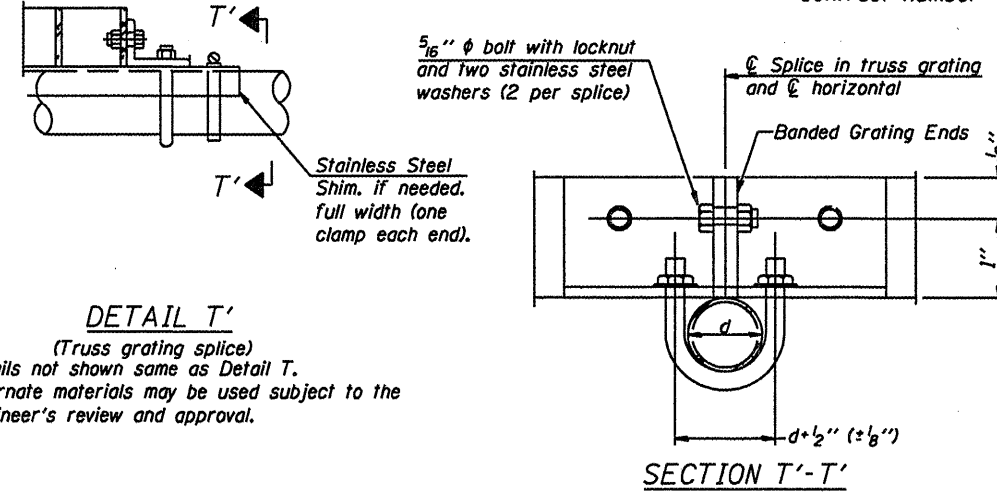
DETAIL T
(Continuous Truss grating)

SPECIFICATIONS FOR STANDARD ALUMINUM GRATING

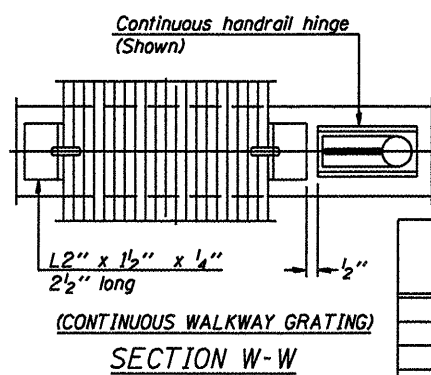
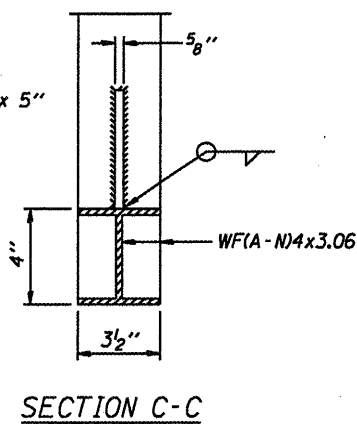
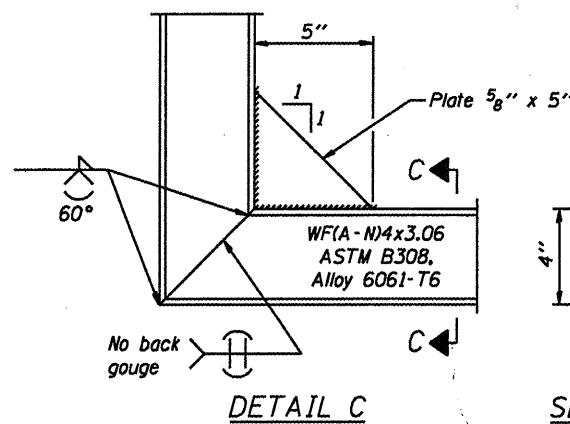
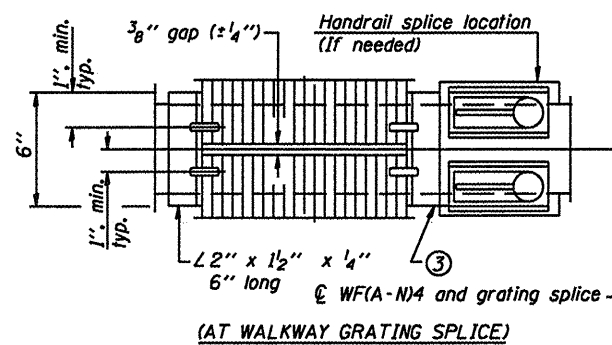
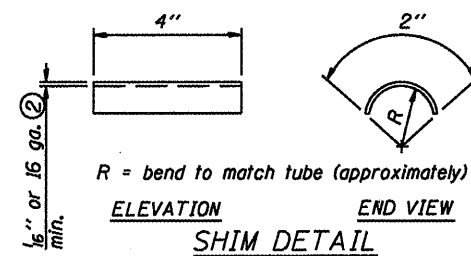
Main Bearing Bars shall be 3/16" x 1/2" on 1 3/8" centers and conform to ASTM B221 Alloy 6061-T6.
Cross bars shall be 3/16" x 1/2" on 4" centers and conform to ASTM B221 Alloy 6063-T5 or 6061-T6.

OR

Aluminum Grating with modified "I" sections for main bearing bars shall meet the following requirements:
Main bars shall conform to ASTM B221 Alloy 6061-T6 and have a minimum section modulus equal to 0.0705 in.³ per bar, a depth of 1 1/2", spaced on 1 3/8" centers.
Cross bars shall conform to ASTM B221 Alloy 6063-T5 or T-42 and spaced on 4" centers.



- Drilling holes in grating may be done in shop or field, based on Contractor's preference and subject to accurate alignment.
- Stainless steel shims shall be placed as shown in Detail T if needed to compensate for alignment variations between horizontal and diagonal pipes beyond adjustment provided by angles. Thicker shims may be used subject to shims performing properly.
- If Handrail Joint present, weld angle to WF(A-N)4 and 1/4" extension bars. (See Base Sheet OS-A-11.)
- 1/8" x 1/2" x 2" welded to handrail posts to protect locations that contact grating.
- Tube to grating gap may vary from 0 to 1/2", max. to align walkway, allow for camber, etc.



Structure Number	Station	A	B	C	D

NUMBER	REVISION	DATE

OVERHEAD SIGN STRUCTURES
ALUMINUM WALKWAY DETAILS

District 1
Sign Structure
Repair and Replacement