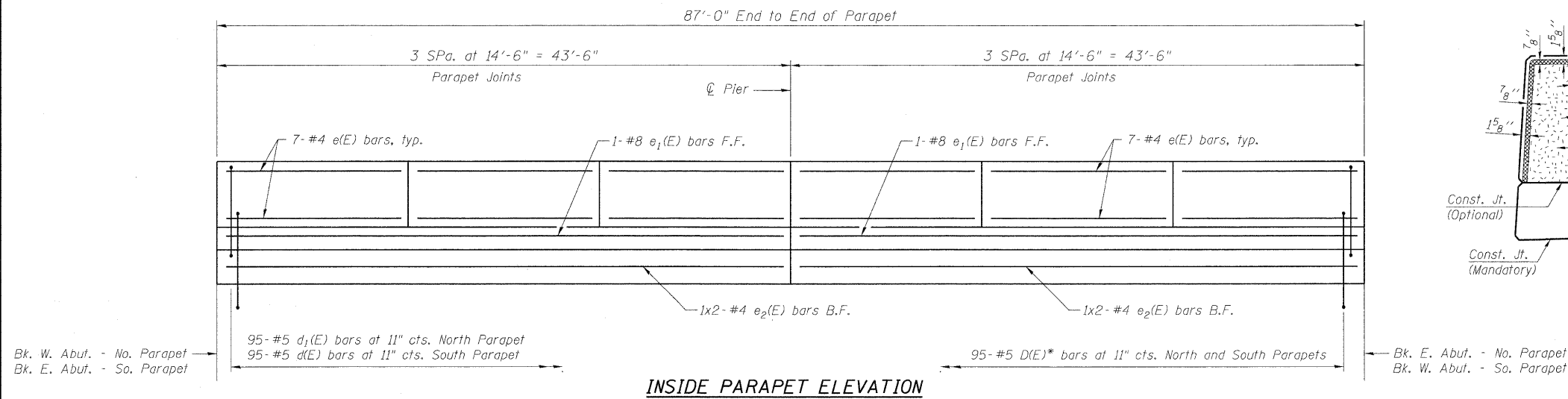
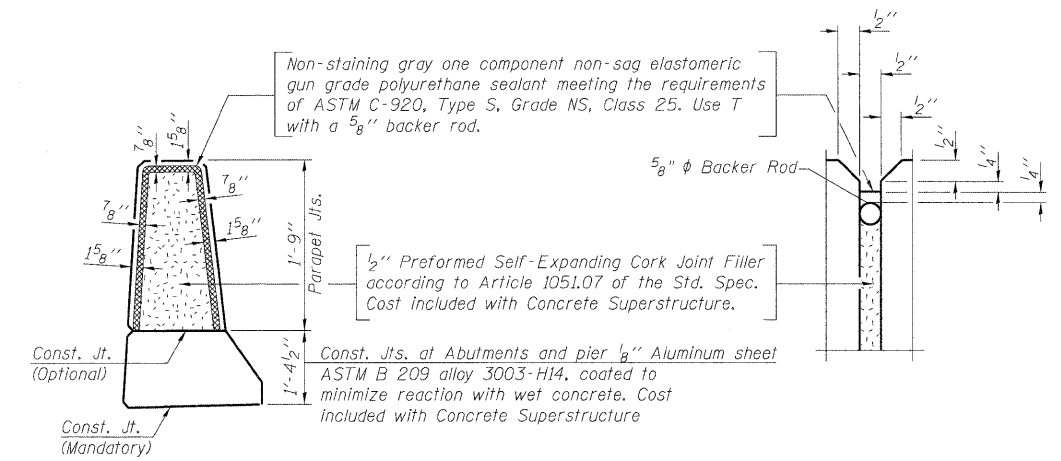


STATE OF ILLINOIS
DEPARTMENT OF TRANSPORTATION



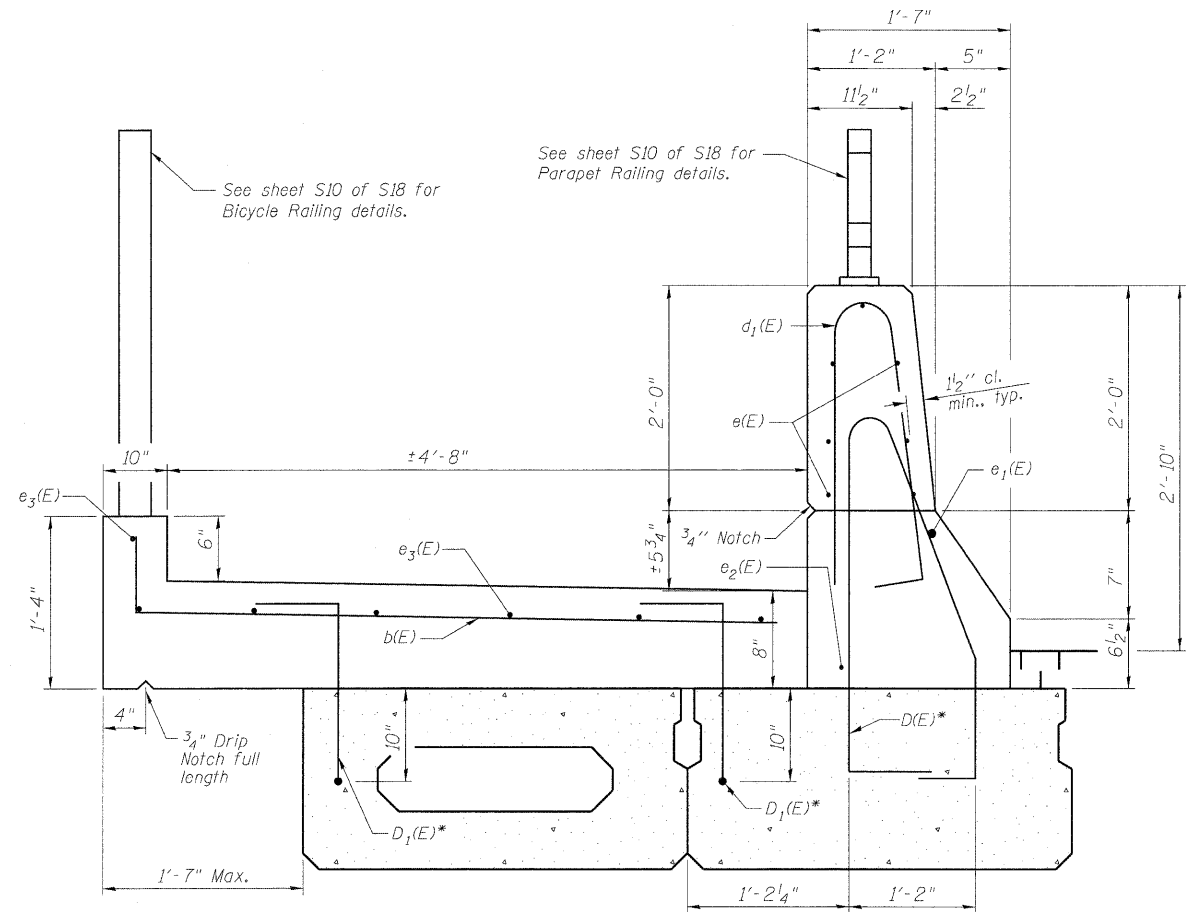
INSIDE PARAPET ELEVATION



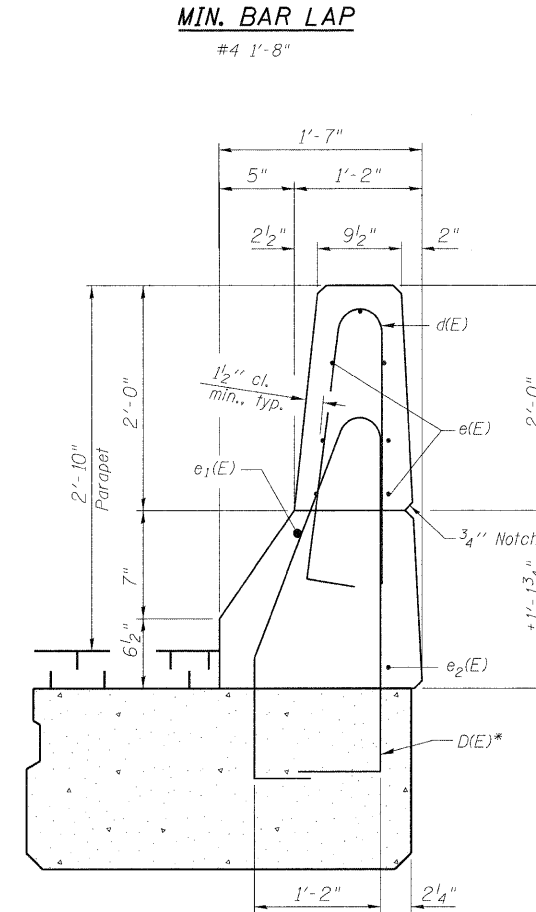
PARAPET JOINT DETAILS

NOTES

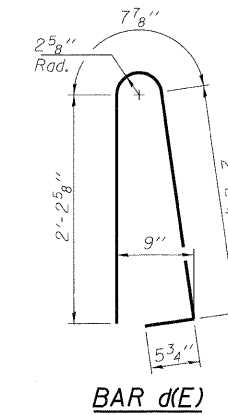
For remainder of Superstructure Details see Sheet S7 of S17.
Bars indicated thus 1x2-#4, etc, indicates 1 line of bars with 2 lengths per line.



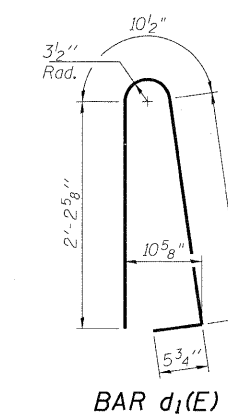
SECTION THRU SIDEWALK & PARAPET (NORTH)



SECTION THRU PARAPET (SOUTH)



BAR d(E)



BAR d₁(E)

BILL OF MATERIAL

Bar	No.	Size	Length	Shape
b(E)	88	#5	5'-7"	┌───┐
d(E)	95	#5	5'-7"	┌───┐
d ₁ (E)	110	#5	5'-10"	┌───┐
e(E)	84	#4	14'-3"	┌───┐
e ₁ (E)	4	#8	43'-2"	┌───┐
e ₂ (E)	8	#4	22'-5"	┌───┐
e ₃ (E)	21	#5	30'-3"	┌───┐
e ₄ (E)	8	#4	13'-0"	┌───┐
e ₅ (E)	1	#8	13'-0"	┌───┐
Concrete Superstructure		Cu. Yd.	37	
Reinforcement Bars, Epoxy Coated		Pound	3820	

(Sheet 1 of 2)
PARAPET DETAILS
STRUCTURE NO. 049-0131

DESIGNED	SLV
CHECKED	MJM
DRAWN	SLV
CHECKED	MJM

LONCO, INC.
CONSULTING ENGINEERS
1560 WALL ST, SUITE 222
NAPERVILLE, ILLINOIS 60563 PH: (630) 577-9100

* D(E) and D₁(E) bars to be cast-in-place into 17" PPC deck beams. Cost to be included with 17" PPC deck beams. See sheets S13 and S14 of S18 for all PPC deck beam reinforcement bars.

SHEET NO. S8 OF S18 SHEETS	F.A.U. RTE.	SECTION	COUNTY	TOTAL SHEETS	SHEET NO.
	1238	125SB-1-R	LAKE	38	21
D-91-045-08			CONTRACT NO. 60D57		
FED. ROAD DIST. NO. _ ILLINOIS FED. AID PROJECT					