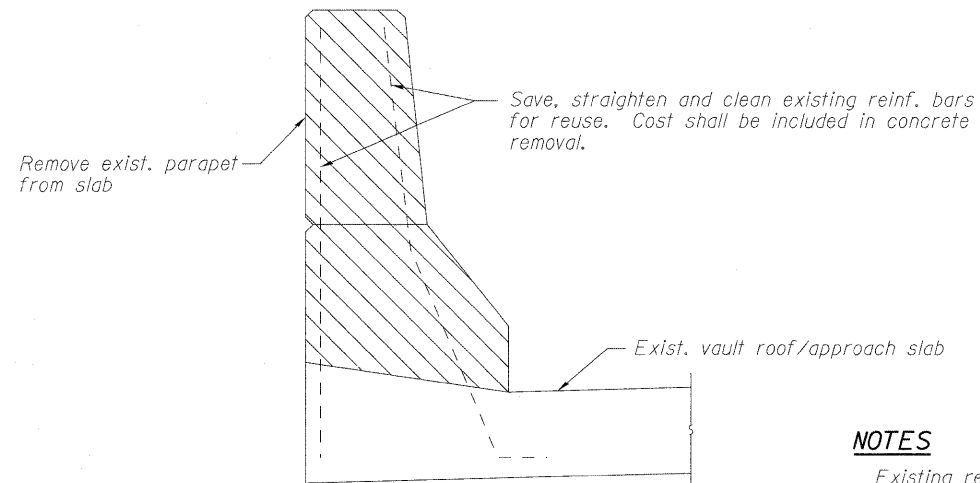


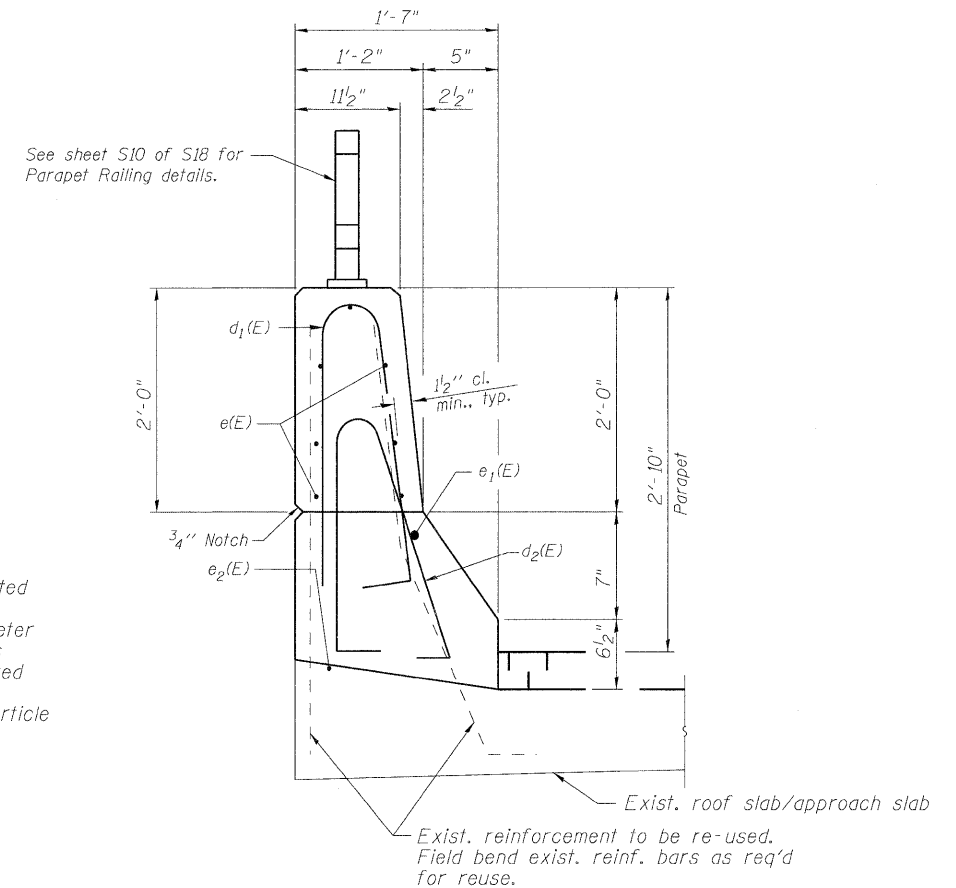
STATE OF ILLINOIS
DEPARTMENT OF TRANSPORTATION



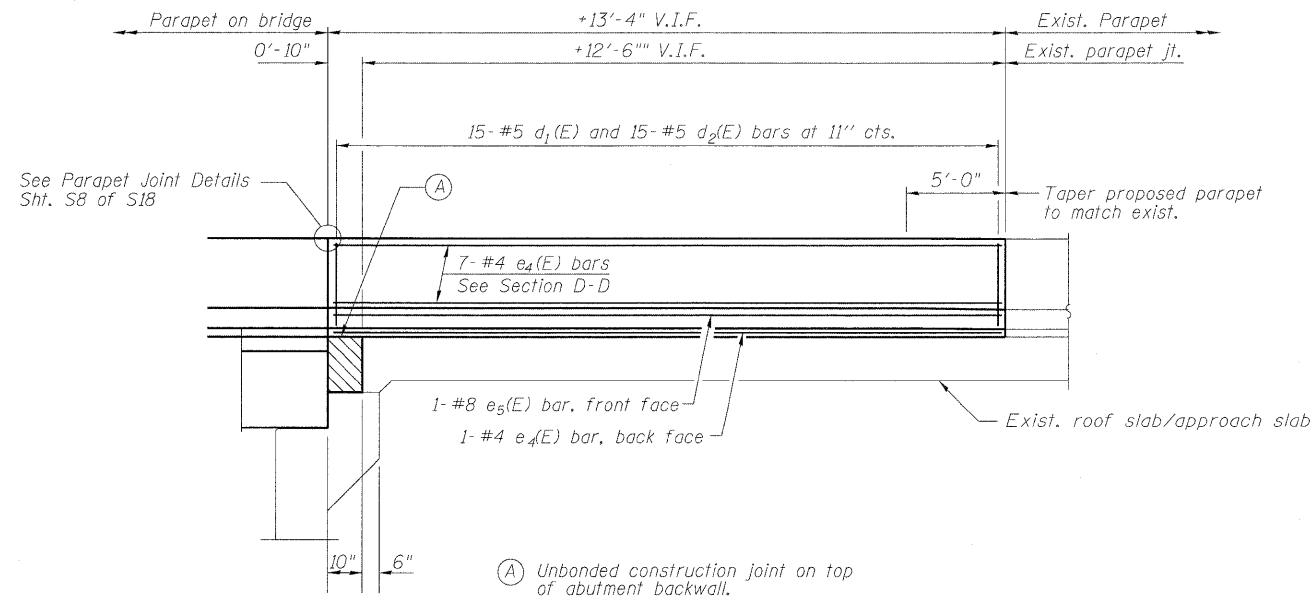
EXISTING NORTH PARAPET EAST OF BRIDGE ON EXISTING VAULT ROOF SLAB

NOTES

Existing reinforcement shall be cleaned, straightened (if required) and incorporated into the new construction. Cost included with Concrete Removal.
Existing reinforcement bars which have lost 25% or more of their original diameter shall be supplemented by new epoxy coated bars of the same diameter. New bars shall be drilled and epoxy grouted in place adjacent to the original bars, as directed by the Engineer.
Drilling and epoxy grouting of reinforcement bars shall be in accordance with Article 584 of the Standard Specifications.



PROPOSED NORTH PARAPET EAST OF BRIDGE ON EXISTING VAULT ROOF SLAB



ELEVATION PROPOSED NORTH PARAPET EAST OF BRIDGE

| | |
|----------|-----|
| DESIGNED | SLV |
| CHECKED | MJM |
| DRAWN | SLV |
| CHECKED | MJM |

LONGCO, INC.
CONSULTING ENGINEERS
1560 WALL ST, SUITE 222
NAPERVILLE, ILLINOIS 60563 PH: (630) 577-9100

(Sheet 2 of 2)
PARAPET DETAILS
STRUCTURE NO. 049-0131

| | | | | | |
|---|-------------|-----------|--------------------|--------------|-----------|
| SHEET NO. S9 OF S18 SHEETS | F.A.U. RTE. | SECTION | COUNTY | TOTAL SHEETS | SHEET NO. |
| | 1238 | 125SB-1-R | LAKE | 38 | 22 |
| D-91-045-08 | | | CONTRACT NO. 60D57 | | |
| FED. ROAD DIST. NO. - ILLINOIS FED. AID PROJECT | | | | | |