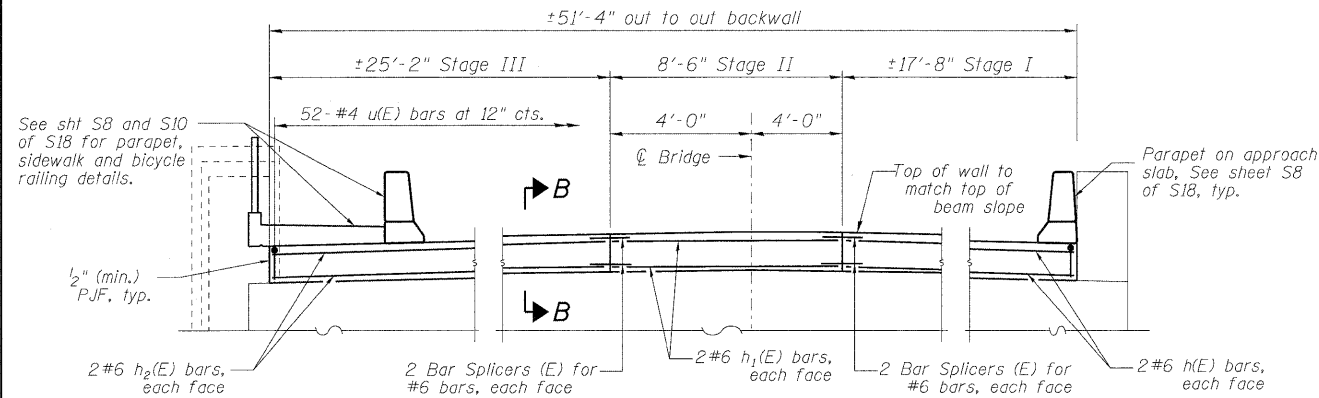
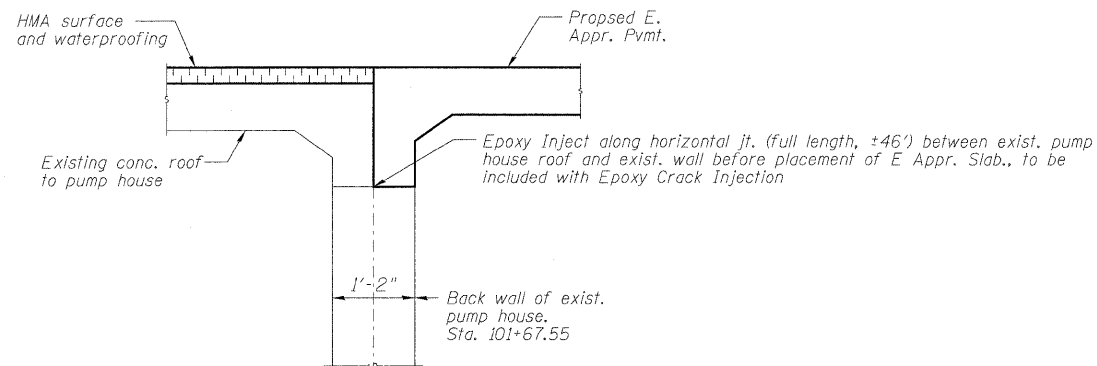


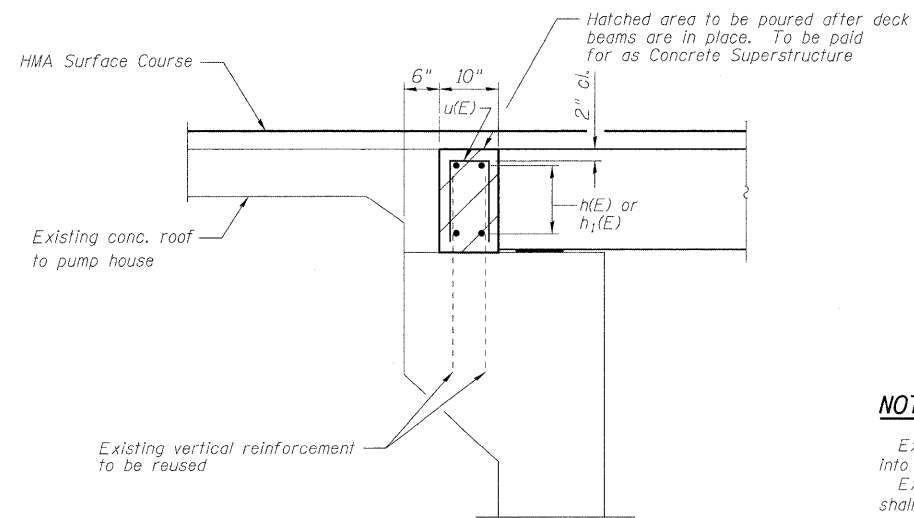
STATE OF ILLINOIS
DEPARTMENT OF TRANSPORTATION



**ELEVATION
(Looking East)**



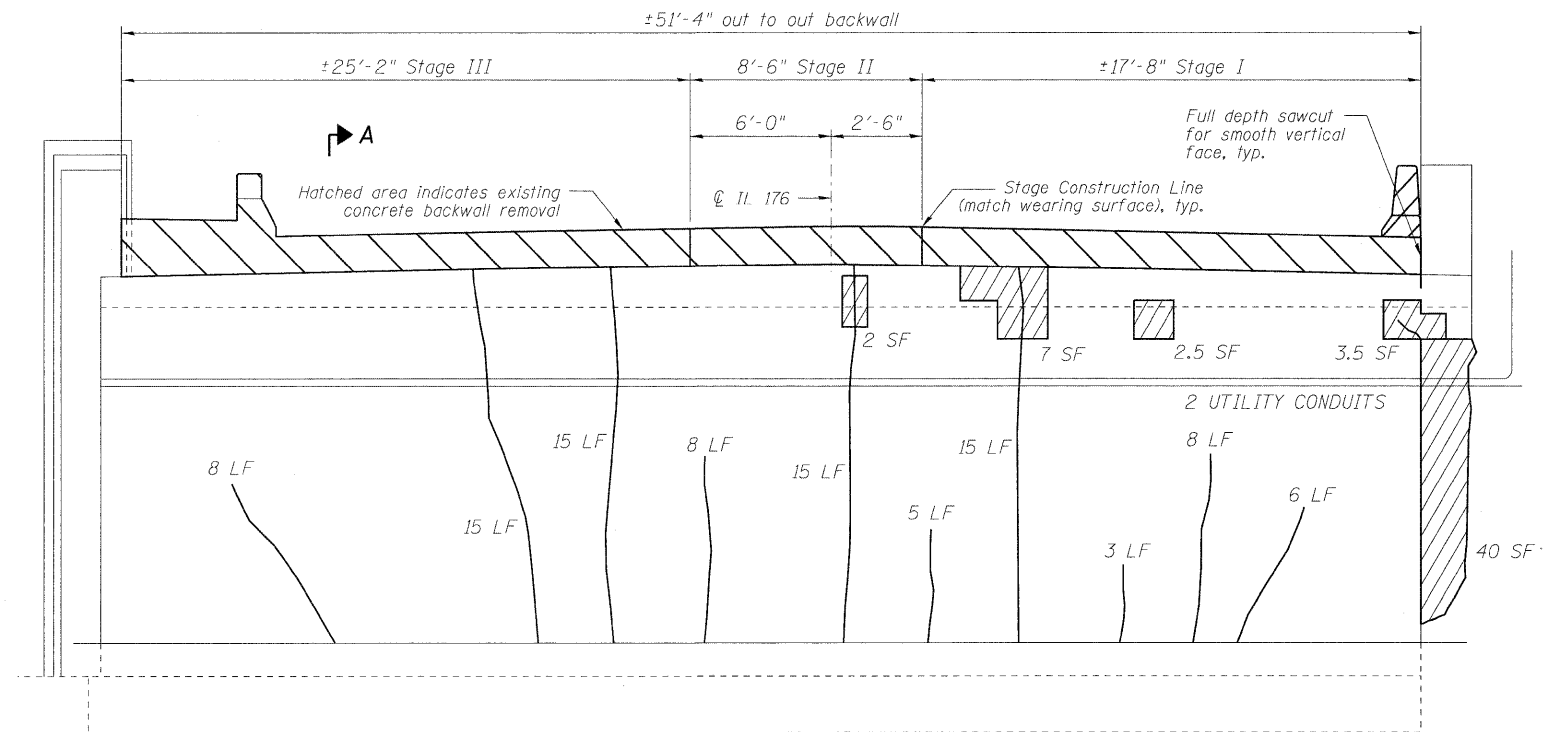
**SECTION THRU EXIST. PUMP
HOUSE ROOF AND WALL
(Looking North)**



SECTION B-B

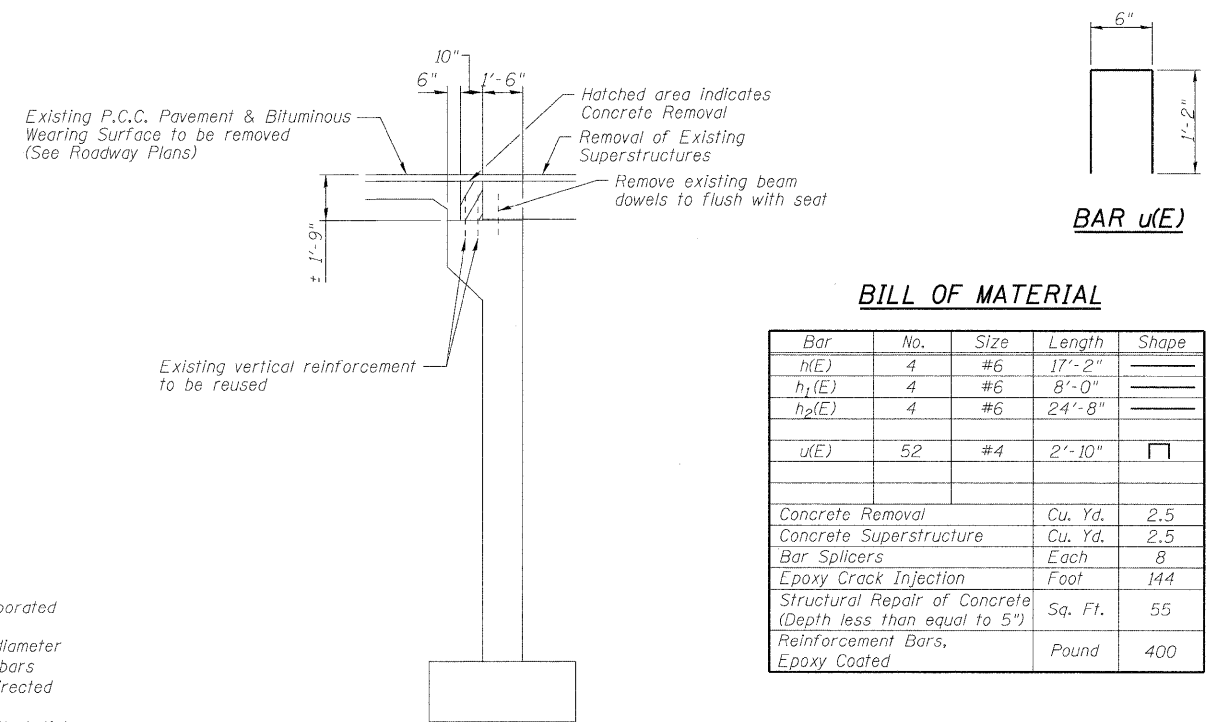
NOTES

Existing reinforcement shall be cleaned, straightened (if required) and incorporated into the new construction. Cost included with Concrete Removal.
Existing reinforcement bars which have lost 25% or more of their original diameter shall be supplemented by new epoxy coated bars of the same diameter. New bars shall be drilled and epoxy grouted in place adjacent to the original bars, as directed by the Engineer.
Drilling and epoxy grouting of reinforcement bars shall be in accordance with Article 584 of the Standard Specifications.



**ELEVATION - REMOVAL AND REPAIR
(Looking East)**

— Epoxy Crack Injection
Formed Concrete Repair Depth < 5"



SECTION A-A

BILL OF MATERIAL

Bar	No.	Size	Length	Shape
h(E)	4	#6	17'-2"	—
h1(E)	4	#6	8'-0"	—
h2(E)	4	#6	24'-8"	—
u(E)	52	#4	2'-10"	□
Concrete Removal			Cu. Yd.	2.5
Concrete Superstructure			Cu. Yd.	2.5
Bar Splicers			Each	8
Epoxy Crack Injection			Foot	144
Structural Repair of Concrete (Depth less than equal to 5")			Sq. Ft.	55
Reinforcement Bars, Epoxy Coated			Pound	400

**EAST ABUTMENT DETAILS
STRUCTURE NO. 049-0131**

DESIGNED -	SLV
CHECKED -	MJM
DRAWN -	SLV
CHECKED -	MJM

LONGCO, INC.
CONSULTING ENGINEERS
1560 WALL ST, SUITE 222
NAPERVILLE, ILLINOIS 60563 PH: (630) 577-9100

SHEET NO. S16 OF S18 SHEETS	F.A.U. RTE.	SECTION	COUNTY	TOTAL SHEETS	SHEET NO.
	1238	125SB-1-R	LAKE	38	29
D-91-045-08			CONTRACT NO. 60D57		
FED. ROAD DIST. NO. - ILLINOIS FED. AID PROJECT					