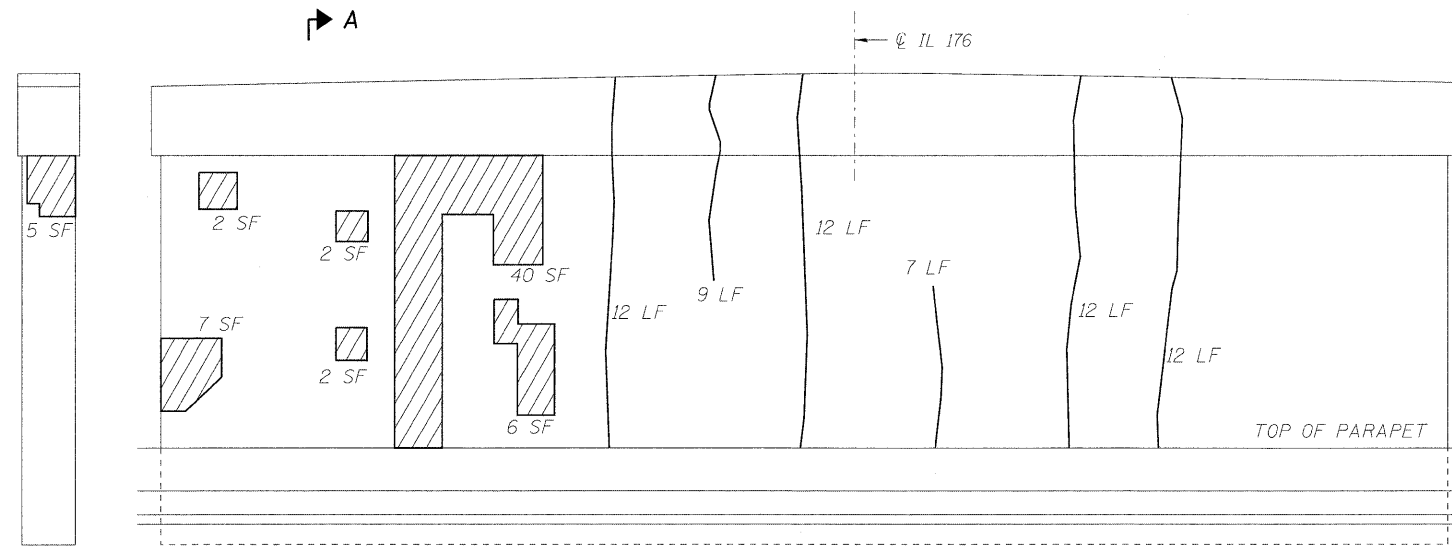


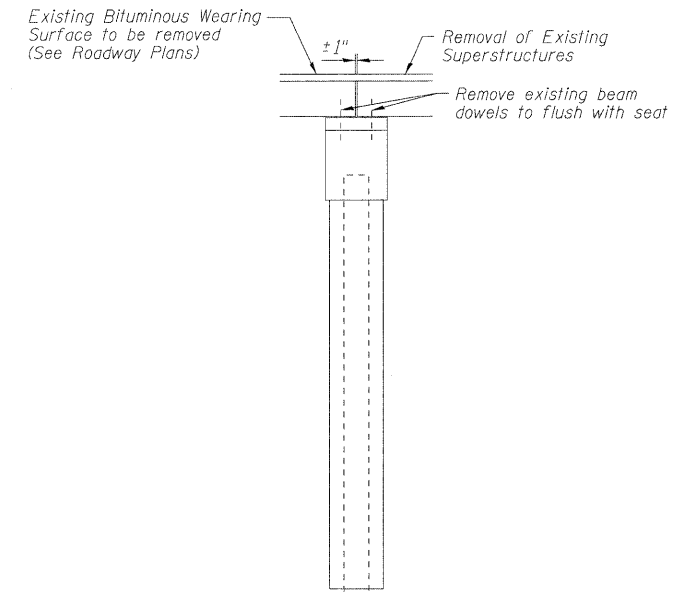
STATE OF ILLINOIS
DEPARTMENT OF TRANSPORTATION



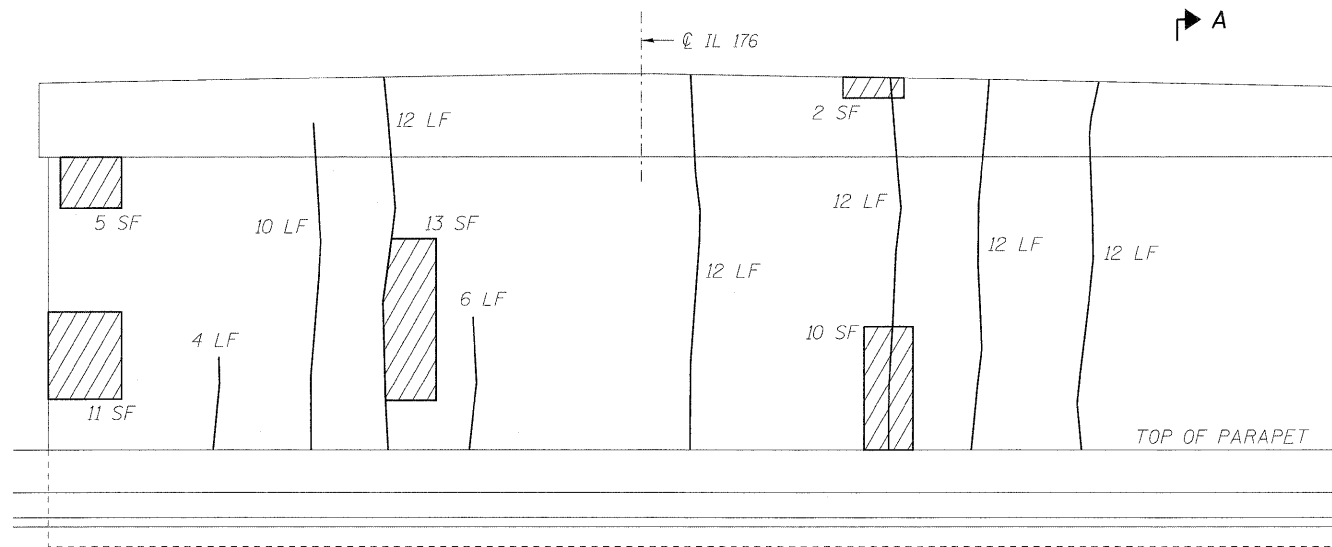
North Face
(Looking South)

ELEVATION - REMOVAL AND REPAIR
West Face
(Looking East)

— Epoxy Crack Injection
▨ Formed Concrete Repair Depth < 5"



SECTION A-A



ELEVATION - REMOVAL AND REPAIR
East Face
(Looking West)

— Epoxy Crack Injection
▨ Formed Concrete Repair Depth < 5"

NOTES

Drilling and epoxy grouting of reinforcement bars shall be in accordance with Article 584 of the Standard Specifications.
See sht. S7 of S18 for proposed section thru fixed pier.

BILL OF MATERIAL

Epoxy Crack Injection	Foot	144
Structural Repair of Concrete (Depth less than equal to 5")	Sq. Ft.	105

DESIGNED -	SLV
CHECKED -	MJM
DRAWN -	SLV
CHECKED -	MJM

LONCO, INC.
CONSULTING ENGINEERS
1560 WALL ST. SUITE 222
NAPERVILLE, ILLINOIS 60563 PH: (630) 577-9100

PIER DETAILS
STRUCTURE NO. 049-0131

SHEET NO. S17 OF S18 SHEETS	F.A.U. RTE.	SECTION	COUNTY	TOTAL SHEETS	SHEET NO.
	1238	125SB-1-R	LAKE	38	30
D-91-045-08			CONTRACT NO. 60D57		
FED. ROAD DIST. NO. _		ILLINOIS	FED. AID PROJECT		