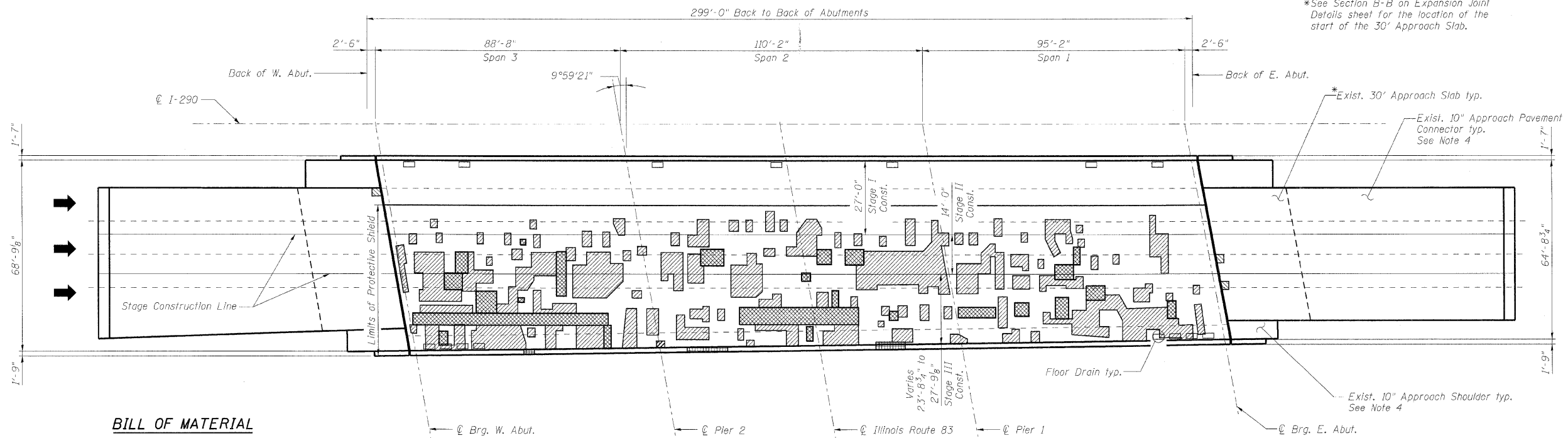


STATE OF ILLINOIS  
DEPARTMENT OF TRANSPORTATION

\*See Section B-B on Expansion Joint  
Details sheet for the location of the  
start of the 30' Approach Slab.



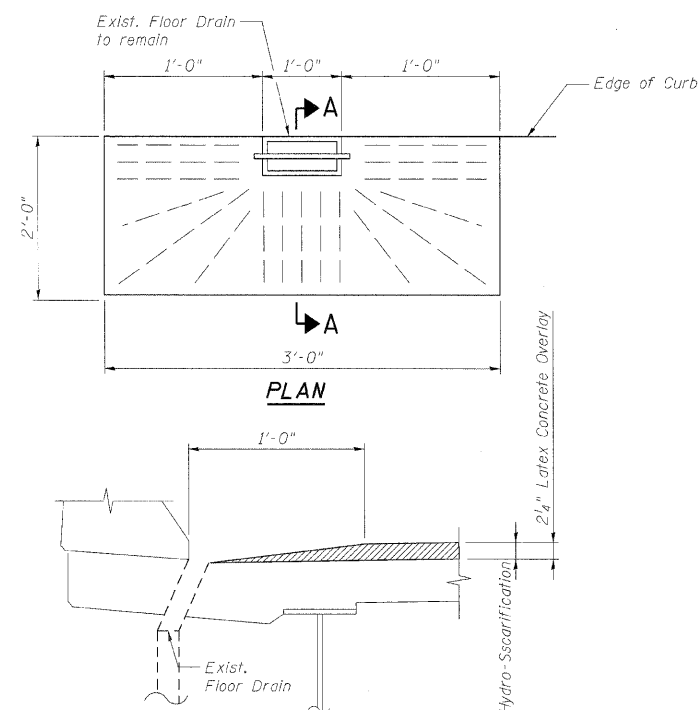
**BILL OF MATERIAL**

SYMBOL	ITEM	UNIT	QUANTITY
	Deck Slab Repair (Partial)	Sq. Yd.	468.2▲
	Deck Slab Repair (Full Depth - Type I)	Sq. Yd.	62.4
	Deck Slab Repair (Full Depth - Type II)	Sq. Yd.	87.3
	Cleaning & Painting Exposed Rebar (Special)	Sq. Ft.	61
	Approach Slab Repair (Partial Depth)	Sq. Yd.	5.9
	Protective Shield	Sq. Yd.	2,420
	Bridge Deck Hydro-Scarification, 2 1/4"	Sq. Yd.	2,164
	Bridge Deck Latex Concrete Overlay, 2 1/4"	Sq. Yd.	2,164
	Protective Coat	Sq. Yd.	2,210
	Bridge Deck Grooving	Sq. Yd.	2,098

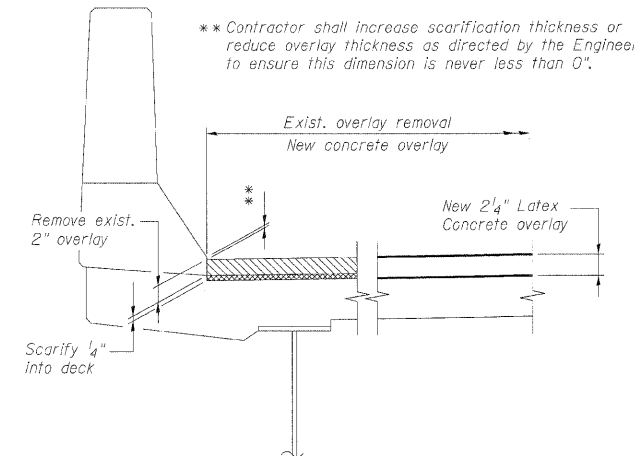
▲ For information only to assist the Contractor in bidding.  
See Special Provision for "Bridge Deck Latex Concrete Overlay".

DESIGNED -	MFB
CHECKED -	KWS
DRAWN -	RMG
CHECKED -	KWS

**PLAN**



**SECTION A-A**  
**CONCRETE OVERLAY AT FLOOR DRAIN**



**SCARIFICATION & OVERLAY**  
**DETAIL AT PARAPET**

**Notes:**

- Deck and approach slab repair areas are estimated based on visual inspection completed in June 2009. Actual repair areas and locations shall be determined by the Engineer and shown on As-Built plans.
- Protective Shield, required for deck slab and/or parapet repairs, shall be installed according to Article 501.03 of the Standard Specifications. For limits of Protective Shield, see General Plan and Elevation sheet.
- Deck drains (downspouts, floor drains, and scuppers) shall be cleaned prior to placement of the Latex Concrete Overlay. Cost of cleaning the deck drains is included in Bridge Deck Hydro-Scarification, 2 1/4".
- The Engineer shall determine the type and quantity of Class A patching and the quantity of Mixture for Cracks, Joints and Flangeways. Estimated quantities are included in the overall Summary of Quantities in Roadway Plans.
- Gaps caused by distress around floor drains shall be filled with epoxy as specified in the Special Provision "Epoxy Injection". Cost included with Bridge Deck Latex Concrete Overlay, 2 1/4".

**BRIDGE DECK**  
**AND APPROACH SLAB REPAIRS**  
**STRUCTURE NO. 022-0096**

**benesch**

alfred benesch & company  
Engineers • Surveyors • Planners  
205 North Michigan Avenue, Suite 2400  
Chicago, Illinois 60601  
312-565-0450 Job No. 10050

SHEET NO. 4	F.A.I. RTE.	SECTION	COUNTY	TOTAL SHEETS	SHEET NO.
	290	221, 1-1, 2&3RS-7	DUPAGE	546	312
9 SHEETS	CONTRACT NO. 60G51				
FED. ROAD DIST. NO.		ILLINOIS	FED. AID PROJECT		