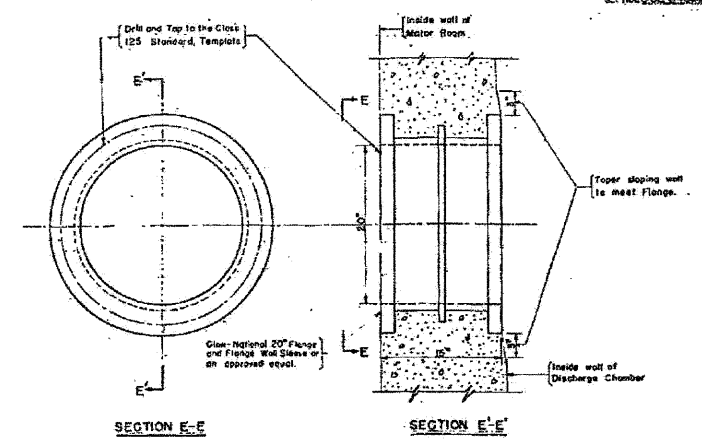
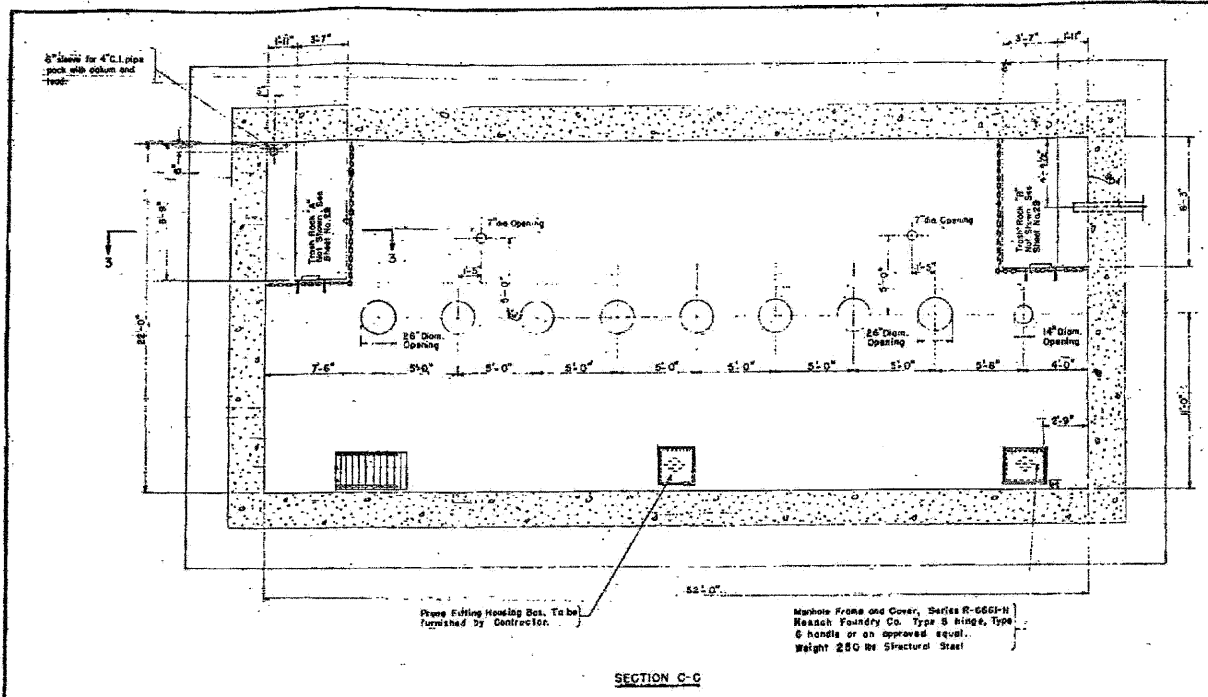
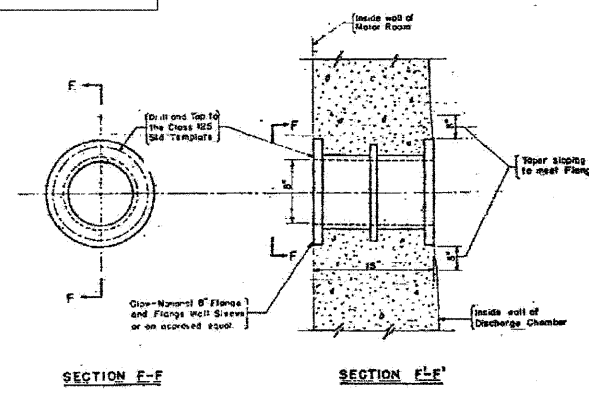
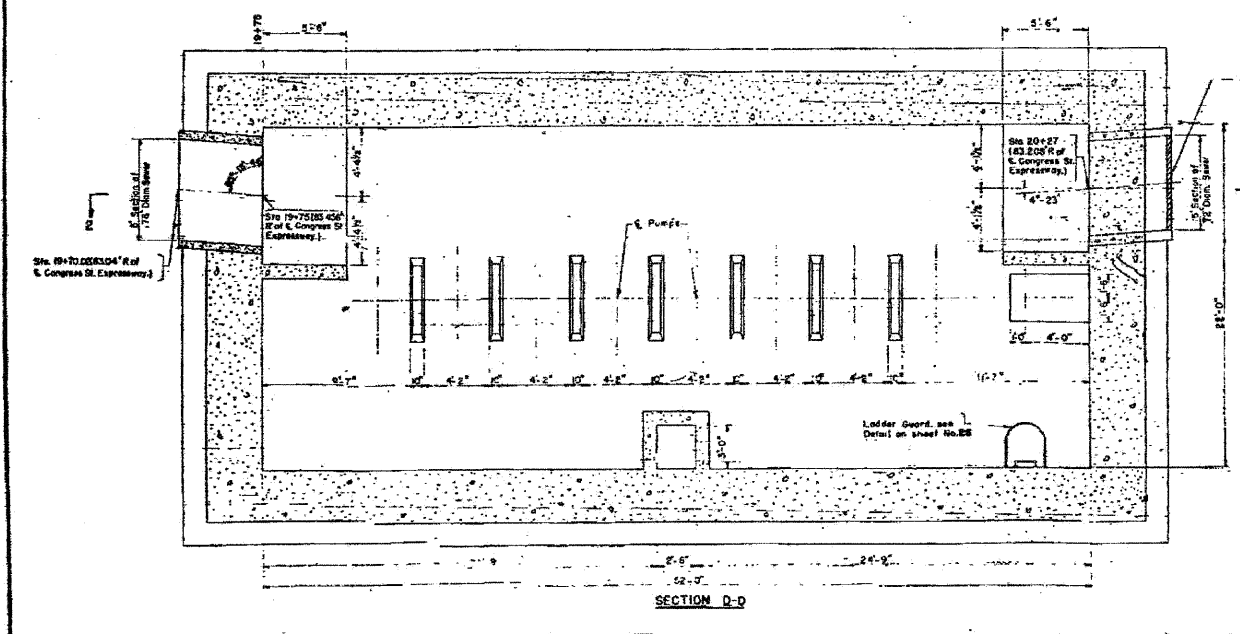


Scale: 1/4" = 1'-0"
 Date: 06/21/2009
 No. 25B



PS 4

FOR INFORMATION ONLY



NOTE: Wall sleeves are not to be paid for separately but are to be included in the unit price bid for Storm Water Pump. From Budget Structural Steel this steel weighs 250 lbs.

Scale: 1/4" = 1'-0" or as noted
 DEPARTMENT OF HIGHWAYS
 CONGRESS ST. EXPRESSWAY
 FLUORINE STATION
 MECHANICAL DETAILS
 COMPUTED: J.C.B.
 DRAWN: J.C.B.
 No. 11-21-50

Added Sheet 12/21/2009, LIN

FILE NAME =	DESIGNED - SGL	REVISED 12/21/2009	<p>LIN ENGINEERING, LTD. Consulting Engineers Champaign, Illinois</p>	<p>STATE OF ILLINOIS DEPARTMENT OF TRANSPORTATION</p>		<p>PUMP STATION NO. 4 RECORD DRAWINGS</p>		F.A.I. R.T.E.	SECTION	COUNTY	TOTAL SHEETS	SHEET NO.
#FILE#	DRAWN - SGL	REVISED -						290	(3031L, ETC., 3838)RS-5	COOK	298	251B
USER NAME = #USER#	CHECKED - FML	REVISED -						CONTRACT NO. 60652				
PLOT DATE = #DATE#	DATE - 12/2009	REVISED -						ILLINOIS FED. AID PROJECT				
SCALE:		SHEET NO. 2 OF 2 SHEETS		STA.		TO STA.						