

FOR INDEX OF SHEETS, SEE SHEET NO. 2.

TRAFFIC DATA

ADT = 187,000 VEHICLES
POSTED SPEED LIMIT = 55 MPH

PROJECT LOCATED IN THE
VILLAGE OF OAK PARK,
VILLAGE OF FOREST PARK,
VILLAGE OF MAYWOOD,
VILLAGE OF BROADVIEW,
VILLAGE OF WESTCHESTER,
VILLAGE OF BELLWOOD
AND VILLAGE OF HILLSIDE

STRUCTURE LOCATIONS

I-290 EB OVER I-88
SN 016-0085

I-290 C-D RAMP OVER HILLSIDE DR
SN 016-2759

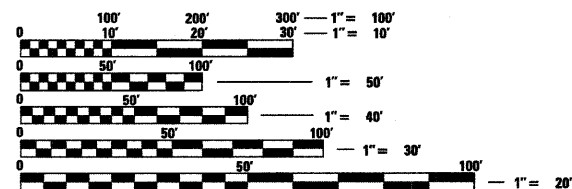
I-290 C-D RAMP OVER WOLF RD
SN 016-2758

I-290 OVER WOLF RD
SN 016-0086

I-290 OVER HILLSIDE DR
SN 016-0986

I-290 OVER ADDISON CREEK
SN 016-0088

I-290 OVER DES PLAINES RIVER
SN 016-0090



FULL SIZE PLANS HAVE BEEN PREPARED USING STANDARD ENGINEERING SCALES. REDUCED SIZED PLANS WILL NOT CONFORM TO STANDARD SCALES. IN MAKING MEASUREMENTS ON REDUCED PLANS, THE ABOVE SCALES MAY BE USED.

J.U.L.I.E.
JOINT UTILITY LOCATION INFORMATION FOR EXCAVATION
1-800-892-0123
OR 811

PROJECT ENGINEER: CRAIG BAUER (847) 705-4265
PROJECT MANAGER: LONG TRAN (847) 705-4232

CONTRACT NO. 60G52

STATE OF ILLINOIS
DEPARTMENT OF TRANSPORTATION
DIVISION OF HIGHWAYS

**PROPOSED
HIGHWAY PLANS**
FAI-290 (EISENHOWER EXPRESSWAY)
SECTION (3031.1, ETC., 3838)RS-5
PROJECT: ACIM-290-4(114)084
I-88 TO AUSTIN AVE.
RESURFACING AND ROADWAY AND STRUCTURE REPAIRS
COOK COUNTY
C-91-493-09

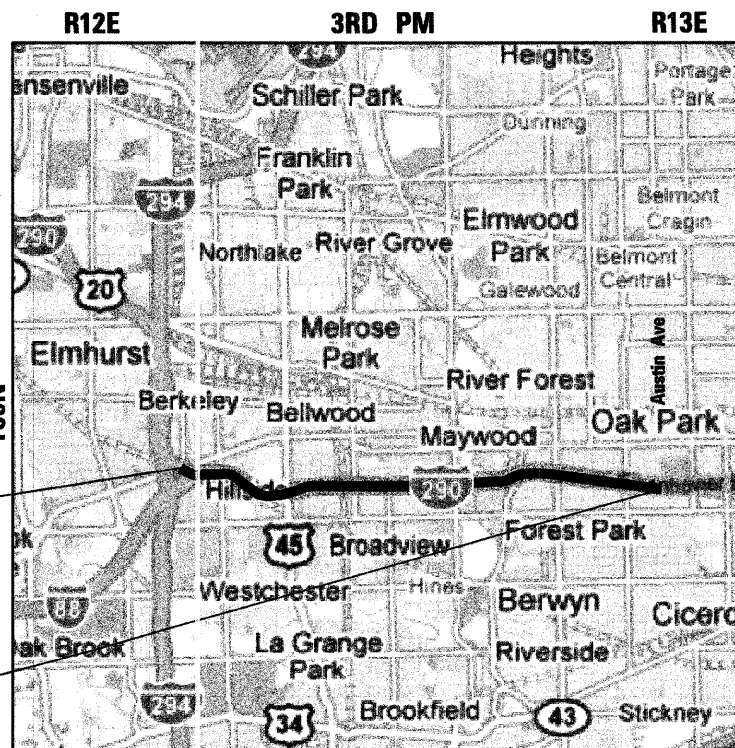
NOTE: WHEREVER IN THESE PLANS
REFERENCE IS MADE TO "TOTAL
SHEETS-298 IT SHALL MEAN 413.

F.A.I. RTE.	SECTION	COUNTY	TOTAL SHEETS	SHEET NO.
290	(3031.1, ETC., 3838)RS-5	COOK	298	1
FED. ROAD DIST. NO.	ILLINOIS	CONTRACT NO.	60G52	

* 424 + 1 = 425
D-91-341-09
* 413 + 5 = 418
* + 6 = 424



LOCATION OF SECTION INDICATED THUS: —■—



PROJECT BEGINS
STA. 488 + 85 (WB)
STA. 490 + 85 (EB)

PROJECT ENDS
STA. 872 + 00

TOWNSHIPS OF: PROVISO AND OAK PARK

LAYOUT MAP

SCALE: 1 IN = 1.5 MI

GROSS LENGTH OF PROJECT = 38,315 LIN FT = 7.26 MILES
NET LENGTH OF PROJECT = 38,315 LIN FT = 7.26 MILES



EXPIRATION DATE 11-30-09
DATE 10/2/09

STATE OF ILLINOIS
DEPARTMENT OF TRANSPORTATION
DIVISION OF HIGHWAYS

SUBMITTED October 7, 2009
Diana M. O'Keefe DEPUTY DIRECTOR OF HIGHWAYS, REGION ENGINEER
December 4, 2009
Charles J. Ingersoll ENGINEER OF DESIGN AND ENVIRONMENT
December 4, 2009
Christina M. Reed DIRECTOR OF HIGHWAYS, CHIEF ENGINEER

**PRINTED BY THE AUTHORITY
OF THE STATE OF ILLINOIS**

benesch
alfred benesch & company
Engineers • Surveyors • Planners
205 North Michigan Avenue, Suite 2400
Chicago, Illinois 60601
312-565-0450

Rev. 1-10-10
Rev. 1-4-10

INDEX OF SHEETS

SHEET NO.	DESCRIPTION
1	COVER SHEET
2	INDEX OF SHEETS, STANDARDS, GENERAL NOTES & HMA REQUIREMENTS
3-5	SUMMARY OF QUANTITIES
6-24	TYPICAL SECTIONS
* 25-27	SCHEDULES OF QUANTITIES
28-63	ALIGNMENTS
64-94	ROADWAY PLANS
* 95-190	MAINTENANCE OF TRAFFIC
191-221	PAVEMENT MARKING PLANS
222-250	STRUCTURAL PLANS
* 251	ROADWAY WEATHER INFORMATION SYSTEM SENSOR
252-267	TRAFFIC SURVEILLANCE LOOPS PLANS
268-283	TRAFFIC SYSTEM CENTER DETAILS
284-298	DISTRICT 1 DETAILS
299-302	SIGNING SCHEDULES OF QUANTITIES
303-328	SIGNING PLANS
329-405	SIGNING DETAILS
406-413	DISTRICT 1 SIGNING DETAILS

* ADDED 27A, 27B.
 * ADDED 251A - 251D PUMP STATION DRAWINGS
 * Added 96A.

GENERAL NOTES:

- BEFORE STARTING WORK THE CONTRACTOR SHALL CALL JIGGER AT (312) 774-7000 FOR WORK WITHIN THE CHICAGO CITY LIMITS OR JULIE AT (800) 892-0.23 FOR WORK OUTSIDE CHICAGO CITY LIMITS FOR FIELD LOCATIONS OF BURIED UTILITIES. 72 HOUR ADVANCE NOTIFICATION IS REQUIRED.
- THE CONTRACTOR SHALL COORDINATE CONSTRUCTION ACTIVITIES WITH UTILITY COMPANIES AS REQUIRED.
- THE CONTRACTOR SHALL COORDINATE WORK ACTIVITIES WITH ADJACENT IDOT CONTRACTS 60157 AND 60653, ILLINOIS STATE TOLL HIGHWAY AUTHORITY CONTRACT-I-294 FROM I-88 TO NORTH AVENUE, AND VALVE MAINTENANCE CONTRACT FOR BROADVIEW-WESTCHESTER JOINT WATER AGENCY (BWJWA) AT EB I-290, 100 FEET EAST OF DES PLAINES RIVER.
- THE CONTRACTOR WILL NOT BE ALLOWED TO SET UP A YARD OR FIELD OFFICE ON STATE PROPERTY WITHOUT WRITTEN PERMISSION FROM THE DEPARTMENT.
- VERTICAL CLEARANCES OF BRIDGES OVER I-290 SHALL BE MAINTAINED. HMA SURFACE REMOVAL AND PROPOSED HMA SURFACE THICKNESS WILL BE VARIED AS DIRECTED BY THE ENGINEER IF THE EXISTING BITUMINOUS DEPTH IS LESS THAN 2". THE CONTRACTOR SHALL VERIFY ALL BRIDGE CLEARANCES BEFORE AND AFTER CONSTRUCTION AND FURNISH RESULTS TO THE ENGINEER. THIS WORK SHALL BE INCLUDED IN THE LUMP SUM PRICE FOR CONSTRUCTION LAYOUT.
- WHERE ARTIFICIAL LIGHTING IS USED IN NIGHT OPERATIONS, THE CONTRACTOR SHALL EXERCISE THE UTMOST PRECAUTIONS IN PREVENTING ADVERSE VISIBILITY TO THE MOTORING PUBLIC AND ADJOINING RESIDENTIAL AREAS.
- PATCHING, CURB AND GUTTER REMOVAL AND REPLACEMENT, AND SHOULDER RECONSTRUCTION LIMITS ARE NOT SHOWN ON THE PLANS. LIMITS OF THIS WORK WILL BE DETERMINED BY THE ENGINEER.
- BUTT JOINTS WILL BE INSTALLED AT THE END OF ALL RESURFACING SECTIONS TO MATCH EXISTING PAVEMENT. SEE DISTRICT DETAIL BD400-05 - BUTT JOINT AND HMA TAPER DETAILS FOR ALL PCC AND HMA BUTT JOINTS.
- CONTACT EXPRESSWAY OPERATIONS AT (847) 705-4151 TWO WEEKS BEFORE INSTALLING FINAL PAVEMENT MARKINGS.
- THE CONTRACTOR SHALL SWEEP AND CLEAN THE PAVEMENT SURFACE, PER ARTICLE 107.15 OF THE STANDARD SPECIFICATIONS AND AS DIRECTED BY THE ENGINEER.
- TEMPORARY EDGE LINES SHOWN IN THE SUGGESTED MAINTENANCE OF TRAFFIC SHALL BE INSTALLED WITHIN 24 HOURS OF MILLING OR BINDER PLACEMENT.
- THE ALIGNMENTS AND SUPPORTING DATA SHOWN IN THE PLANS WAS DEVELOPED FROM PREVIOUS PLANIMETRICS AND AERIAL PHOTOGRAPHY FURNISHED BY THE DEPARTMENT AND IS NOT THE RESULT OF A GROUND SURVEY. THEREFORE, THE ALIGNMENTS AND SUPPORTING DATA SHOWN IN THE PLANS IS FOR REFERENCE PURPOSES ONLY. THE RELATIVE ACCURACY OF THE INFORMATION IS UNKNOWN AND CANNOT BE GUARANTEED. THE CONTRACTOR MAY BE REQUIRED TO ADJUST LAYOUT TO MATCH ACTUAL FIELD CONDITIONS AND THE INTENT OF THE PLANS. ALL ALIGNMENTS ARE BASELINES.
- BEFORE BEGINNING ANY WORK, THE CONTRACTOR SHALL RETAIN AND RECORD (FOR FUTURE REFERENCES), ALL EXISTING PAVEMENT MARKING LINES IN ORDER THAT THESE LOCATIONS CAN BE RE-ESTABLISHED FOR STRIPING. EXACT LOCATIONS OF ALL STRIPING SHALL BE AS DIRECTED BY THE ENGINEER.
- DRAINAGE ADJUSTMENT, CLEANING OR RECONSTRUCTION LOCATIONS WILL BE DETERMINED IN THE FIELD BY THE ENGINEER.
- EXISTING BROKEN FRAMES AND LIDS SHALL BE REMOVED AND DISPOSED OF BY THE CONTRACTOR AND SHALL BE REPLACED AS DIRECTED BY THE ENGINEER. REPLACEMENT FRAMES AND LIDS WILL BE PAID FOR IN ACCORDANCE WITH ARTICLE 109.04 OF THE STANDARD SPECIFICATIONS UNLESS A SEPARATE PAY ITEM HAS BEEN PROVIDED.
- VERTICAL BARRICADES WILL REMAIN IN PLACE ALONG THE EDGES OF PAVEMENT AS SHOWN IN THE SUGGESTED MAINTENANCE OF TRAFFIC PLANS UNTIL THE SURFACE COURSE AND PROPOSED PAVEMENT MARKING EDGE LINES HAVE BEEN COMPLETED.
- DISPOSAL OF THE SHOULDER CUTTING AND CLEAN SWEEPING OF THE SHOULDERS SHALL BE COMPLETED PRIOR TO THE OPENING OF THE SHOULDERS AND TRAFFIC. DISPOSAL AND SWEEPING SHALL BE INCLUDED IN THE COST OF "SHOULDER RUMBLE STRIPS".
- EXISTING PAVEMENT MARKINGS THAT CONFLICT WITH REVISED TRAFFIC PATTERNS SHALL BE REMOVED AS DIRECTED BY THE ENGINEER. THIS WORK WILL BE PAID FOR AT THE CONTRACT UNIT PRICE PER SQUARE FOOT FOR PAVEMENT MARKING REMOVAL.

IDOT STANDARDS

STANDARD NO.	DESCRIPTION
000001-05	STANDARD SYMBOLS, ABBREVIATIONS AND PATTERNS
420001-07	PAVEMENT JOINTS
442001-04	CLASS A PATCHES
442201-03	CLASS C AND D PATCHES
515001-03	NAME PLATE FOR BRIDGES
635006-03	REFLECTOR AND TERMINAL MARKER PLACEMENT
635011-02	REFLECTOR MARKER AND MOUNTING DETAILS
642001-01	SHOULDER RUMBLE STRIPS
701101-02	OFF-ROAD OPERATIONS, MULTILANE, 4.5m (15') TO 600mm (24") FROM PAVEMENT EDGE
701106-02	OFF-ROAD OPERATIONS, MULTILANE, MORE THAN 15' (4.5m) AWAY
701400-04	APPROACH TO LANE CLOSURE, FREEWAY/EXPRESSWAY
701401-05	LANE CLOSURE, FREEWAY/EXPRESSWAY
701406-05	LANE CLOSURE, FREEWAY/EXPRESSWAY, DAY OPERATIONS ONLY
701411-06	LANE CLOSURE, MULTILANE, AT ENTRANCE OR EXIT RAMP, FOR SPEEDS ≥ 45 MPH
701421-02	LANE CLOSURE, MULTILANE, DAY OPERATIONS ONLY, FOR SPEEDS ≥ 45 MPH TO 55 MPH
701422-02	LANE CLOSURE, MULTILANE, FOR SPEEDS ≥ 45 MPH TO 55 MPH
701426-03	LANE CLOSURE, MULTILANE, INTERMITTENT OR MOVING OPERATIONS, FOR SPEEDS ≥ 45 MPH
701446-01	TWO LANE CLOSURE FREEWAY/EXPRESSWAY
701901-01	TRAFFIC CONTROL DEVICES
704001-06	TEMPORARY CONCRETE BARRIER
720001-01	SIGN PANEL MOUNTING DETAILS
720006-02	SIGN PANEL ERECTION DETAILS
720011-01	METAL POSTS FOR SIGNS, MARKERS, & DELINEATORS
720021-02	SIGN PANEL EXTRUDED ALUMINUM TYPE
780001-02	TYPICAL PAVEMENT MARKINGS
781001-03	TYPICAL APPLICATIONS RAISED REFLECTIVE PAVEMENT MARKERS

DISTRICT 1 DETAILS

DETAIL	DESCRIPTION
BD600-03 (BD-8)	DETAILS FOR FRAMES AND LIDS ADJUSTMENT WITH MILLING
BD400-04 (BD-22)	PAVEMENT PATCHING FOR HMA SURFACED PAVEMENT
BD400-05 (BD-32)	BUTT JOINT AND HMA TAPER DETAILS
BD400-06 (BD-33)	HMA TAPER AT EDGE OF P.C.C. PAVEMENT
BE-600	ELECTRIC CONNECTION TO SIGN STRUCTURE SPAN TYPE
BE-601	ELECTRIC CONNECTION TO SIGN STRUCTURE CANTILEVER TYPE
BM-21	REMOVE AND REERECT STEEL PLATE BEAM GUARDRAIL
TC-8	FREEWAY ENTRANCE AND EXIT RAMP CLOSURE DETAILS
TC-9	TRAFFIC CONTROL DETAILS FOR FREEWAY SINGLE & MULTI-LANE WEAVE
TC-12	MULTI-LANE FREEWAY PAVEMENT MARKING DETAILS
TC-17	TRAFFIC CONTROL DETAILS FOR FREEWAY SHOULDER CLOSURES PARTIAL RAMP CLOSURES
TC-18	SIGNING FOR FLAGGING OPERATIONS AT WORK ZONE OPENINGS
TC-25	TRAFFIC CONTROL DETAILS FOR FREEWAY CENTER LANE CLOSURE SHOULDER LANE
TC-27	MILE POST MARKERS-GOFE SIGNS-MAJOR GUIDE SIGN LAYOUT-ARROWS

HOT-MIX ASPHALT REQUIREMENTS

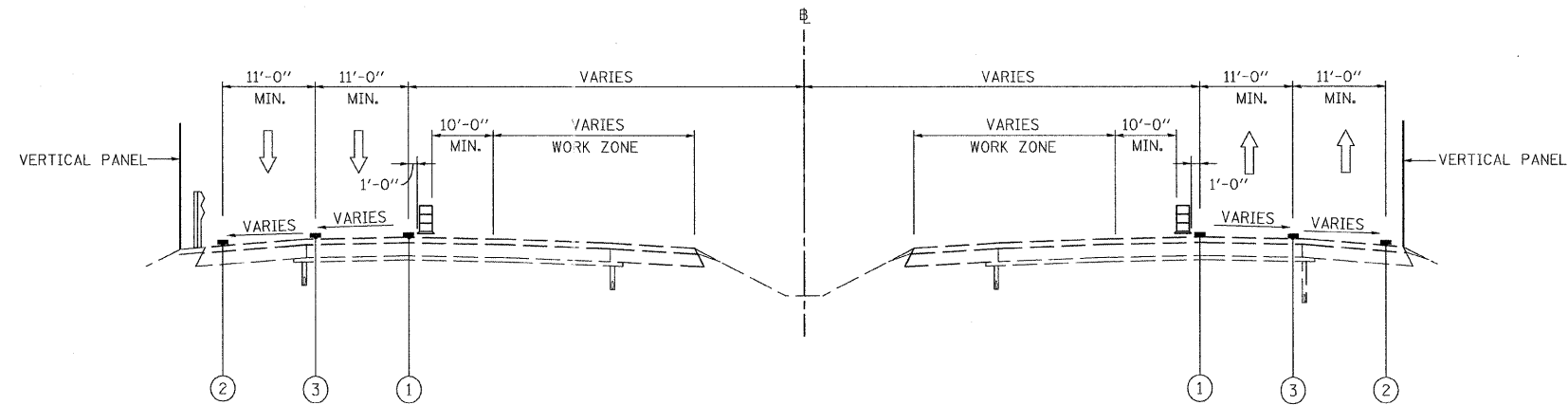
MIXTURE TYPE	THICKNESS	VOIDS
MAINLINE RESURFACING		
POLYMERIZED HOT-MIX ASPHALT SURFACE COURSE, STONE MATRIX ASPHALT, N80	2"	3.5% @ 80 Gyr
POLYMERIZED HOT-MIX ASPHALT BINDER COURSE, STONE MATRIX ASPHALT, N80	2"	3.5% @ 80 Gyr
MAINLINE INSIDE SHOULDERS < 8'		
POLYMERIZED HOT-MIX ASPHALT SURFACE COURSE, STONE MATRIX ASPHALT, N80	2"	3.5% @ 80 Gyr
POLYMERIZED HOT-MIX ASPHALT BINDER COURSE, STONE MATRIX ASPHALT, N80	2"	3.5% @ 80 Gyr
MAINLINE OUTSIDE SHOULDERS AND INSIDE SHOULDERS > 8'		
HOT-MIX ASPHALT SURFACE COURSE, MIX "D", N70	1-1/2"	4% @ 70 Gyr
HOT-MIX ASPHALT BINDER COURSE, IL-19.0 N70	2-1/4"	4% @ 70 Gyr
RAMPS AND SHOULDER RESURFACING		
HOT-MIX ASPHALT SURFACE COURSE, MIX "D", N70	1 1/2"	4% @ 70 Gyr
HOT-MIX ASPHALT BINDER COURSE, IL-19.0 N70	2-1/4"	4% @ 70 Gyr
IL RTE 38 (ROOSEVELT ROAD) RAMPS		
POLYMERIZED HOT-MIX ASPHALT SURFACE COURSE, MIX "F", N90	1-3/4"	4% @ 90 Gyr
POLYMERIZED HOT-MIX ASPHALT BINDER COURSE, IL-19.0, N90	2-1/4"	4% @ 90 Gyr
PATCHING		
CLASS D PATCHES OF TYPE AND THICKNESS SPECIFIED (HMA BINDER IL-25mm)	10"	4% @ 105 Gyr
HOT-MIX ASPHALT REPLACEMENT OVER PATCHES (HMA BINDER IL-25mm)	3 1/4" OR 4"	4% @ 105 Gyr
SHOULDER RECONSTRUCTION		
HOT-MIX ASPHALT SHOULDER, 10" (HMA BINDER IL-19mm)	10"	4% @ 70 Gyr
HOT-MIX ASPHALT SURFACE COURSE, MIX "D", N70	1-1/2"	4% @ 70 Gyr
HOT-MIX ASPHALT BINDER COURSE, IL-19.0, N70	2-1/4"	4% @ 70 Gyr
STABILIZED SUBBASE HOT-MIX ASPHALT, 4"	4"	2% @ 30 Gyr

UNIT WEIGHT USED TO CALCULATE ALL HOT-MIX ASPHALT SMA SURFACE COURSE IS 135 LBS/SQ YD/IN.
 UNITS WEIGHT USED TO CALCULATE ALL OTHER HOT-MIX ASPHALT MIXTURES IS 112 LBS/SQ YD/IN.

THE "AC TYPE" FOR POLYMERIZED HMA MIXES SHALL BE "SBS/SBR PG 70-22" AND FOR NON-POLYMERIZED HMA THE "AC TYPE" SHALL BE "PG 64-22" UNLESS MODIFIED BY DISTRICT ONE SPECIAL PROVISIONS. FOR " PERCENT OF RAP" SEE DISTRICT ONE SPECIAL PROVISIONS.

Rev. 1-10-10
 Rev. 1-4-10

FILE NAME =	DESIGNED - AJP	REVISED -	benesch	STATE OF ILLINOIS DEPARTMENT OF TRANSPORTATION	INDEX OF SHEETS, STANDARDS, GENERAL NOTES & HMA REQUIREMENTS				F.A.I. RTE. 290	SECTION (3031.1, ETC., 3838RS-5)	COUNTY COOK	TOTAL SHEETS 298	SHEET NO. 2	
#FILE#	DRAWN - TMB	REVISED -			SCALE: N.T.S. SHEET NO. 1 OF 1 SHEETS STA. TO STA.				CONTRACT NO. 60652					
USER NAME = #USER#	CHECKED - JMM	REVISED -												
PLOT DATE = #DATE#	DATE - 12/15/09	REVISED -												
FED. ROAD DIST. NO. ILLINOIS FED. AID PROJECT														



I-290 MAINTENANCE OF TRAFFIC

**TYPICAL SECTION
SHOULDER STAGING OPTION**
(OUTSIDE SHOULDER STAGING SHOWN)
(INSIDE SHOULDER STAGING SIMILAR - OPPOSITE HAND)

LEGEND

- ① WET REFLECTIVE TEMPORARY TAPE, - TYPE III, 4 INCH (YELLOW)
- ② WET REFLECTIVE TEMPORARY TAPE, - TYPE III, 4 INCH (WHITE)
- ③ WET REFLECTIVE TEMPORARY TAPE, - TYPE III, 5 INCH (WHITE)
- ☐ TYPE II BARRIER, DRUM, OR VERTICAL BARRICADE WITH STEADY BURN MONODIRECTIONAL LIGHT

POSSIBLE 10' MINIMUM SHOULDER LOCATIONS (TO BE FIELD VERIFIED)

LOCATIONS:	EASTBOUND		WESTBOUND	
	INSIDE SHOULDER	OUTSIDE SHOULDER	INSIDE SHOULDER	OUTSIDE SHOULDER
488+85/490+85 to 507+00	x	x	x	x
507+00 to 510+00	x	x	x	
510+00 to 523+00	x	x	x	x
523+00 to 526+00	x	x	x	
526+00 to 577+00	x	x	x	x
577+00 to 582+00	x	x	x	
582+00 to 608+00	x	x	x	x
608+00 to 705+00	x	x		x
705+00 to 735+00		x		x
735+00 to 738+00	x	x		x
738+00 to 744+00	x	x		
744+00 to 760+00	x	x		x
760+00 to 772+00	x	x	x	x
772+00 to 775+00	x	x		x
775+00 to 785+00		x		x
785+00 to 790+00	x	x		x
790+00 to 805+00	x	x	x	x
805+00 to 811+00	x	x		x
811+00 to 815+00	x	x		x
815+00 to 843+00	x	x	x	x
843+00 to 849+00	x	x		x
849+00 to 854+00		x	x	x
854+00 to 860+00	x	x		x
860+00 to 865+00		x		x
865+00 to 872+00	x	x	x	x

CONTRACTOR OPTION FOR STAGING ON SHOULDERS

AS AN ALTERNATIVE TO THE MAINTENANCE OF TRAFFIC SHOWN IN THE PLANS, THE CONTRACTOR HAS THE OPTION TO SHIFT TRAFFIC ONTO THE EXISTING SHOULDERS AT LOCATIONS WHERE THE SHOULDERS ARE A MINIMUM OF 10 FEET WIDE. ON THE CLOSED LANE ADJACENT TO LIVE TRAFFIC, THE CONTRACTOR SHALL MAINTAIN A 10 FOOT MINIMUM ROADWAY WIDTH WITHIN THE CLOSED LANE. THE CONTRACTOR SHALL NOT PLACE EQUIPMENT OR STORE MATERIALS WITHIN THE CLOSED LANE. ALL TRAFFIC LANES SHALL BE AT LEAST 11 FEET WIDE AND BE DELINEATED FROM THE WORK ZONE BY TYPE II BARRICADES OR DRUMS WITH STEADY BURNING MONODIRECTIONAL LIGHTS PLACED AT 100 FEET CENTER-CENTER.

ALL PATCHING, DRAINAGE STRUCTURE FRAME AND GRATE REPAIRS AND/OR ADJUSTMENTS, OR TEMPORARY PAVEMENT, REQUIRED ALONG THE SHOULDERS AND GOES IN PREPARATION TO SHIFT TRAFFIC WILL BE PAID FOR ACCORDING TO ARTICLE 109.04 OF THE STANDARD SPECIFICATIONS. ALL ADDITIONAL TRAFFIC CONTROL DEVICES, TEMPORARY PAVEMENT MARKINGS, SIGNING (TEMPORARY AND EXISTING OVERHEAD) AND INCIDENTAL COSTS ASSOCIATED WITH IMPLEMENTING THE SHOULDER STAGING OPTION SHALL BE AT THE CONTRACTOR'S EXPENSE. THE CONTRACTOR WILL BE REQUIRED TO SUBMIT PLANS OF THE SHOULDER STAGING OPTION TO THE ENGINEER FOR APPROVAL AT LEAST 2 WEEKS PRIOR TO SHIFTING TRAFFIC INTO THE STAGED CONFIGURATION. THE PLANS SHALL INCLUDE LANE CONFIGURATIONS, WORK ZONES, TRAFFIC CONTROL DEVICES, SIGNING (TEMPORARY AND EXISTING OVERHEAD) AND TEMPORARY PAVEMENT MARKINGS.

ADDED SHEET 1/7/2010, ABC

FILE NAME =	DESIGNED - AJP	REVISED - 1/7/10	benesch	STATE OF ILLINOIS DEPARTMENT OF TRANSPORTATION	MAINTENANCE OF TRAFFIC TYPICAL SECTION - SHOULDER STAGING OPTION	F.A.I. RTE.	SECTION	COUNTY	TOTAL SHEETS	SHEET NO.
#FILEL#	DRAWN - TMB	REVISED -				290	(3031.1, ETC., 3838)RS-5	COOK	298	96A
USER NAME = #USER#	CHECKED - JJT	REVISED -				CONTRACT NO. 60G52				
PLOT DATE = #DATE#	DATE - 10/16/09	REVISED -				FED. ROAD DIST. NO.	[ILLINOIS] FED. AID PROJECT			