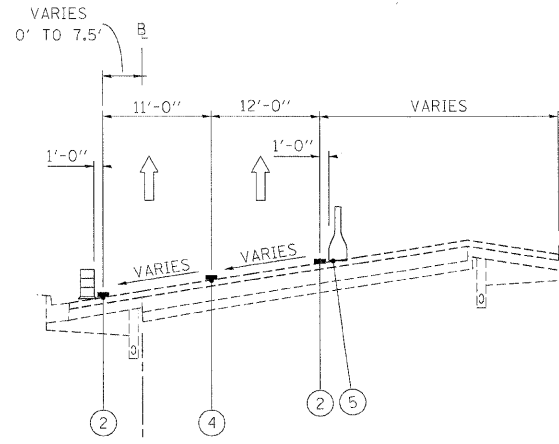
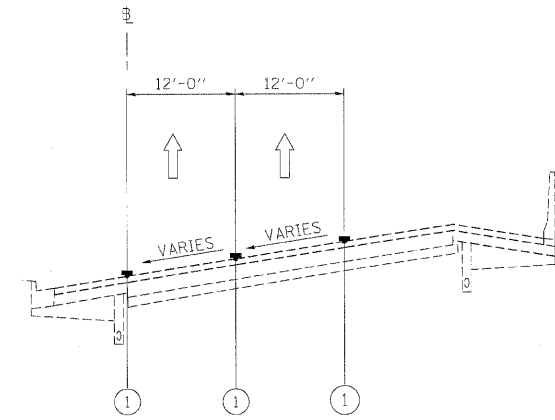


**EASTBOUND**  
**MAINTENANCE OF TRAFFIC**  
**TYPICAL SECTION**  
 STAGE 1  
 STA 484+51 TO STA 487+29

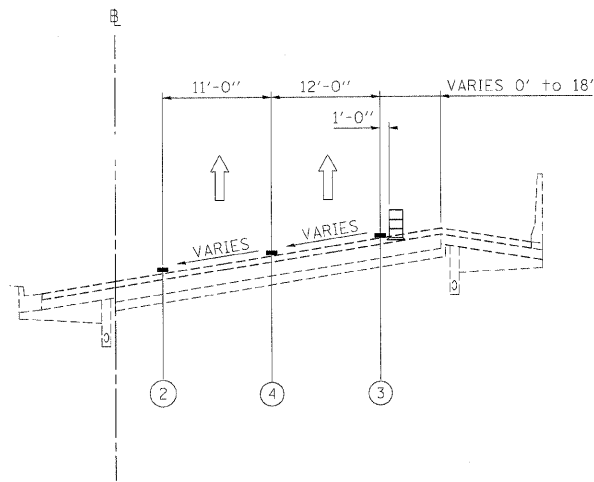


**EASTBOUND**  
**MAINTENANCE OF TRAFFIC**  
**TYPICAL SECTION**  
 STAGE 1  
 STA 487+29 TO STA 498+00

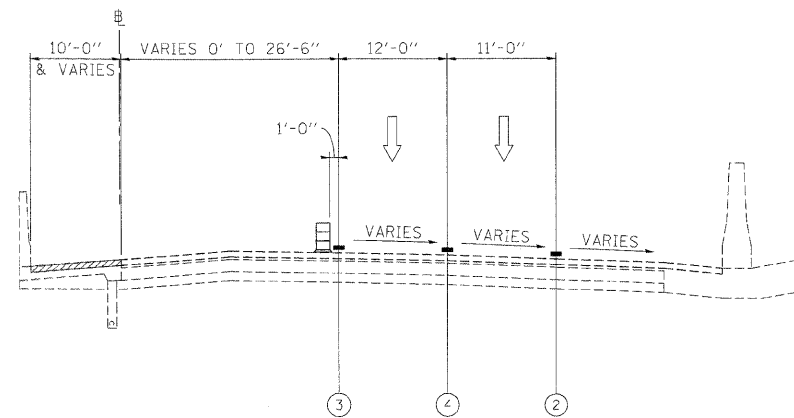
BRIDGE OMISSION STA 490+47 TO STA 494+41



**EASTBOUND**  
**MAINTENANCE OF TRAFFIC**  
**TYPICAL SECTION**  
 STAGE 1  
 STA 498+00 TO STA 501+88



**EASTBOUND**  
**MAINTENANCE OF TRAFFIC**  
**TYPICAL SECTION**  
 STAGE 1  
 STA 501+88 TO STA 507+22



**WESTBOUND**  
**MAINTENANCE OF TRAFFIC**  
**TYPICAL SECTION**  
 STAGE 1  
 STA 498+53 TO STA 506+83

**LEGEND**

- ① EXISTING PAVEMENT MARKING
- ② WET REFLECTIVE TEMPORARY TAPE, - TYPE III, 4 INCH (YELLOW)
- ③ WET REFLECTIVE TEMPORARY TAPE, - TYPE III, 4 INCH (WHITE)
- ④ WET REFLECTIVE TEMPORARY TAPE, - TYPE III, 5 INCH (WHITE)
- ⑤ TEMPORARY PAVEMENT MARKING - LINE 6" (YELLOW) (ON BARRIER)
- ⑥ TEMPORARY PAVEMENT MARKING - LINE 6" (WHITE) (ON BARRIER)
- ⑦ WET REFLECTIVE TEMPORARY TAPE - TYPE III, 8 INCH (WHITE)
- TEMPORARY CONCRETE BARRIER
- TYPE II BARRIER, DRUM, OR VERTICAL BARRICADE WITH STEADY BURN MONODIRECTIONAL LIGHT
- WORK ZONE

FILE NAME *	DESIGNED - AJP	REVISED -
...prpln_abc_c2_m1_mot_ttp.st.1.01.dgn	DRAWN - TMB	REVISED -
USER NAME = tblank	CHECKED - JJT	REVISED -
PLOT DATE = 11/13/2009	DATE - 10/16/09	REVISED -

**benesch**

**STATE OF ILLINOIS**  
**DEPARTMENT OF TRANSPORTATION**

**MAINTENANCE OF TRAFFIC**  
**TYPICAL SECTION - STAGE 1**

SCALE: SHEET NO. 3 OF 96 SHEETS STA. TO STA.

F.A.I. RTE.	SECTION	COUNTY	TOTAL SHEETS	SHEET NO.
290	(3031.1, ETC., 3830RS-5	COOK	298	97
FED. ROAD DIST. NO. [ILLINOIS] FED. AID PROJECT			CONTRACT NO. 60G52	