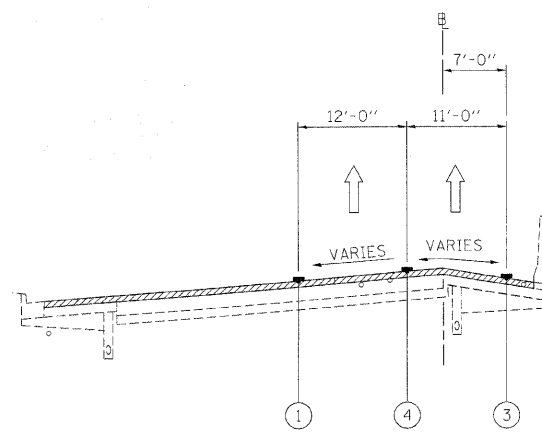


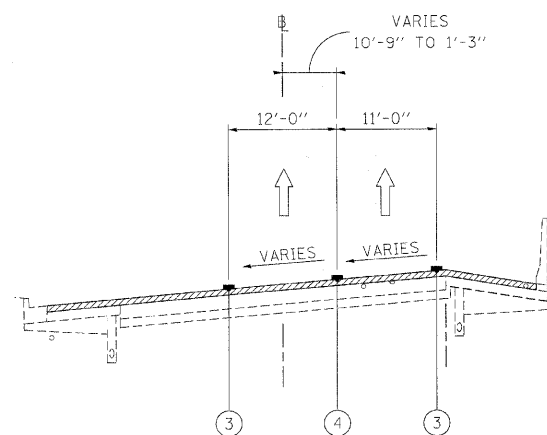
**I-88 MEINTENANCE OF TRAFFIC
TYPICAL SECTION**

STAGE 1 & 2
STA 472+17 TO STA 484+16 (EB I-88)



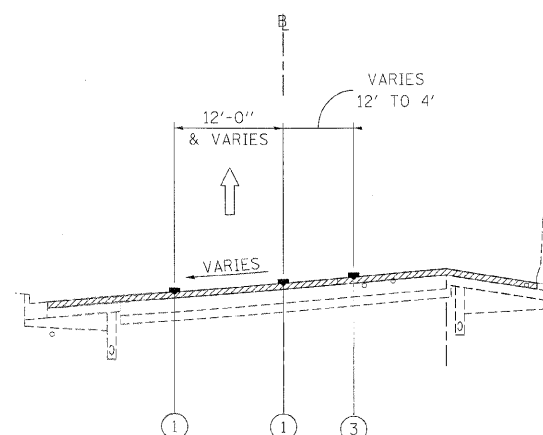
**C-D RAMP MAINTENANCE OF TRAFFIC
TYPICAL SECTION**

STAGE 1 & 2
STA 484+13 TO STA 506+82



**C-D RAMP MAINTENANCE OF TRAFFIC
TYPICAL SECTION**

STAGE 1 & 2
STA 506+82 TO STA 508+98 (EB C-D RAMP)
* TRAFFIC IS MAINTAINED ON EXISTING C-D RAMP CONFIGURATION
FROM STA 508+98 TO STA 571+29



**C-D RAMP MAINTENANCE OF TRAFFIC
TYPICAL SECTION**

STAGE 1 & 2
STA 571+29 TO STA 583+20 (EB C-D RAMP)

LEGEND

- ① EXISTING PAVEMENT MARKING
- ② WET REFLECTIVE TEMPORARY TAPE, - TYPE III, 4 INCH (YELLOW)
- ③ WET REFLECTIVE TEMPORARY TAPE, - TYPE III, 4 INCH (WHITE)
- ④ WET REFLECTIVE TEMPORARY TAPE, - TYPE III, 5 INCH (WHITE)
- ⑤ TEMPORARY PAVEMENT MARKING - LINE 6" (YELLOW) (ON BARRIER)
- ⑥ TEMPORARY PAVEMENT MARKING - LINE 6" (WHITE) (ON BARRIER)
- ⑦ WET REFLECTIVE TEMPORARY TAPE - TYPE III, 8 INCH (WHITE)
- TEMPORARY CONCRETE BARRIER
- TYPE II BARRIER, DRUM, OR VERTICAL BARRICADE WITH STEADY BURN MONODIRECTIONAL LIGHT
- WORK ZONE

FILE NAME =	DESIGNED - AuP	REVISED -
...\\prpln_abc.c2.m1.not.typ.st.1.X1.dgn	DRAWN - TMB	REVISED -
USER NAME = tblank	CHECKED - JMM	REVISED -
PLOT DATE = 11/13/2009	DATE - 10/16/09	REVISED -

benesch

**STATE OF ILLINOIS
DEPARTMENT OF TRANSPORTATION**

**MAINTENANCE OF TRAFFIC
TYPICAL SECTION - STAGE 1 & 2**

SCALE: N.T.S. SHEET NO. OF SHEETS STA. TO STA.

F.A.I. RTE.	SECTION	COUNTY	TOTAL SHEETS	SHEET NO.
290	(3031.1, ETC., 3838RS-5	COOK	298	107A
FED. ROAD DIST. NO. [ILLINOIS] FED. AID PROJECT			CONTRACT NO. 60G52	