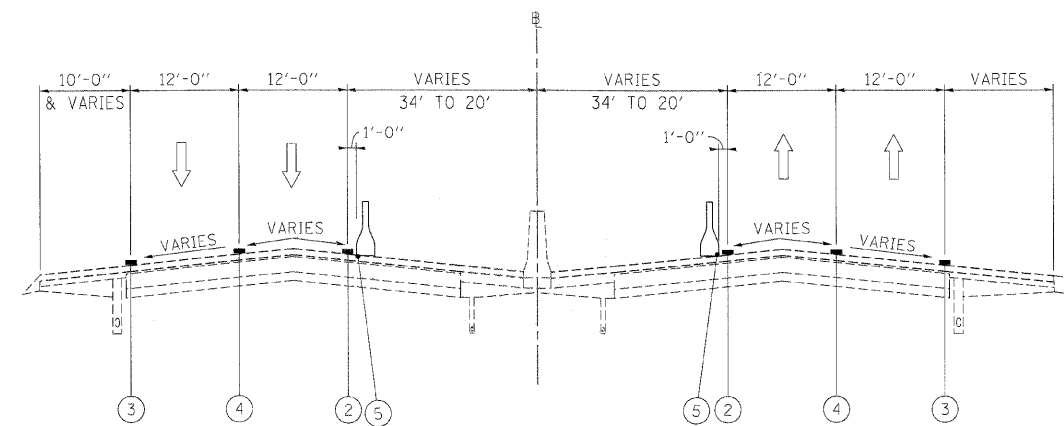


WESTBOUND
STA 590+00 TO STA 598+31

EASTBOUND
STA 598+84 TO STA 598+00

**I-290 MAINTENANCE OF TRAFFIC
TYPICAL SECTION
STAGE 2**

BRIDGE OMISSION: STA 593+29 TO 594+91



WESTBOUND
STA 598+31 TO STA 603+18

EASTBOUND
STA 598+00 TO STA 602+90

**I-290 MAINTENANCE OF TRAFFIC
TYPICAL SECTION
STAGE 2**

LEGEND

- ① EXISTING PAVEMENT MARKING
- ② WET REFLECTIVE TEMPORARY TAPE, - TYPE III, 4 INCH (YELLOW)
- ③ WET REFLECTIVE TEMPORARY TAPE, - TYPE III, 4 INCH (WHITE)
- ④ WET REFLECTIVE TEMPORARY TAPE, - TYPE III, 5 INCH (WHITE)
- ⑤ TEMPORARY PAVEMENT MARKING - LINE 6" (YELLOW) (ON BARRIER)
- ⑥ TEMPORARY PAVEMENT MARKING - LINE 6" (WHITE) (ON BARRIER)
- ⑦ WET REFLECTIVE TEMPORARY TAPE - TYPE III, 8 INCH (WHITE)
- TEMPORARY CONCRETE BARRIER
- TYPE II BARRIER, DRUM, OR VERTICAL BARRICADE WITH STEADY BURN MONODIRECTIONAL LIGHT
- WORK ZONE

FILE NAME =	DESIGNED - AJP	REVISED -
\\orpln\ABC\02\ml\mot\typ-st.2.26.dgn	DRAWN - TMB	REVISED -
USER NAME = tblank	CHECKED - JJT	REVISED -
PLOT DATE = 11/13/2009	DATE - 10/16/09	REVISED -

benesch

**STATE OF ILLINOIS
DEPARTMENT OF TRANSPORTATION**

**MAINTENANCE OF TRAFFIC
TYPICAL SECTION - STAGE 2**

SCALE: SHEET NO. 46 OF 96 SHEETS STA. TO STA.

F.A.I. RTE.	SECTION	COUNTY	TOTAL SHEETS	SHEET NO.
290	(3031.1, ETC., 3838RS-5	COOK	298	140
CONTRACT NO. 60G52				
FED. ROAD DIST. NO. ILLINOIS FED. AID PROJECT				