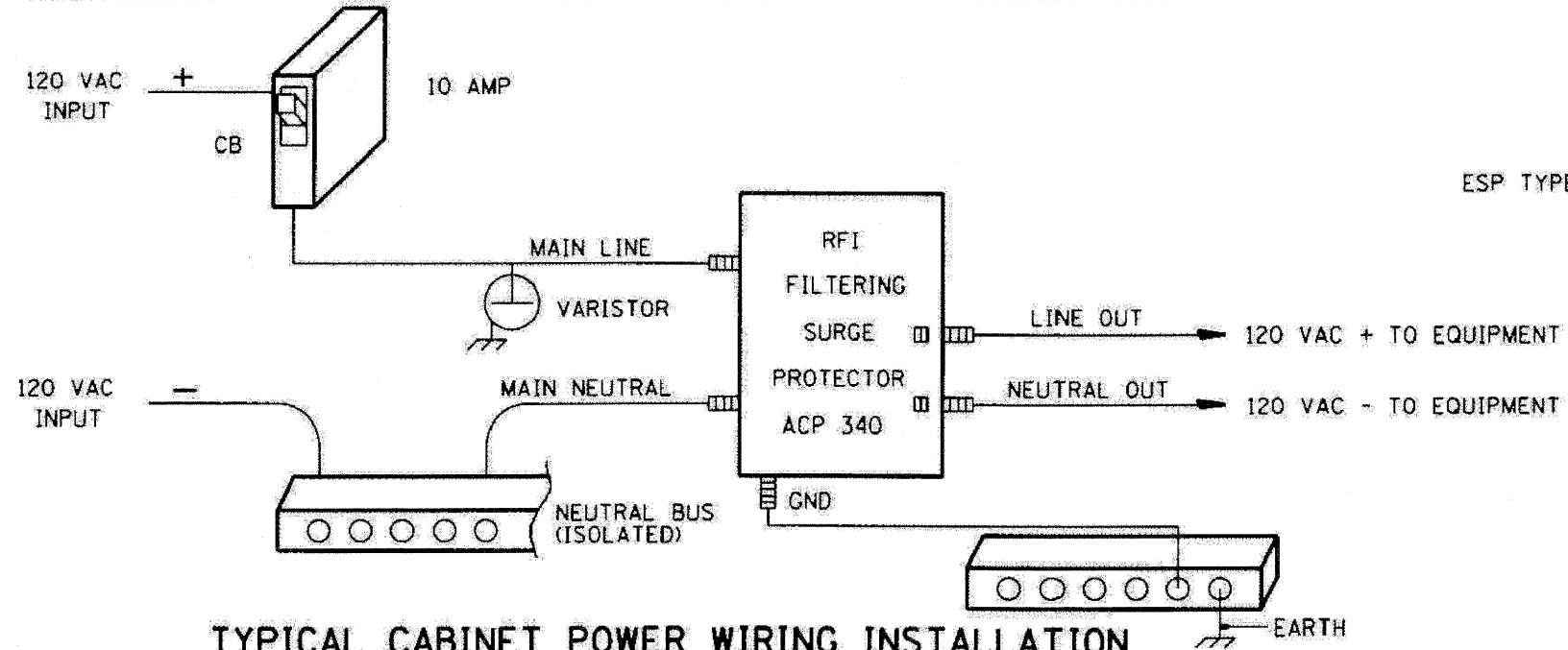
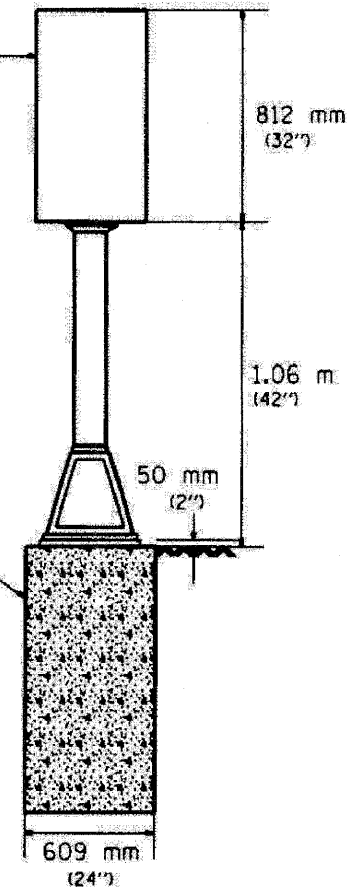


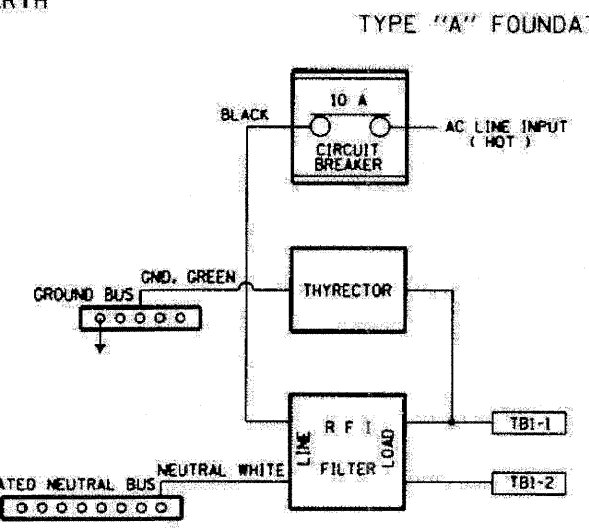
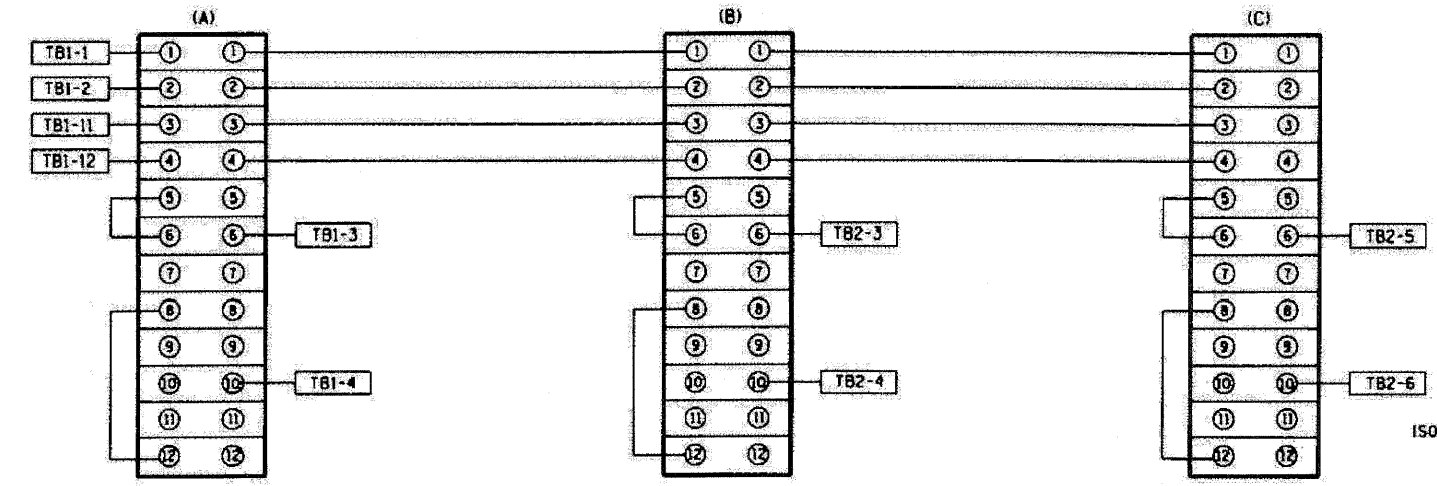
F.A. RTE.	SECTION	COUNTY	TOTAL SHEETS	SHEET NO.
STA.	TO STA.			
FED. ROAD DIST. NO.	ILLINOIS FED. AID PROJECT			



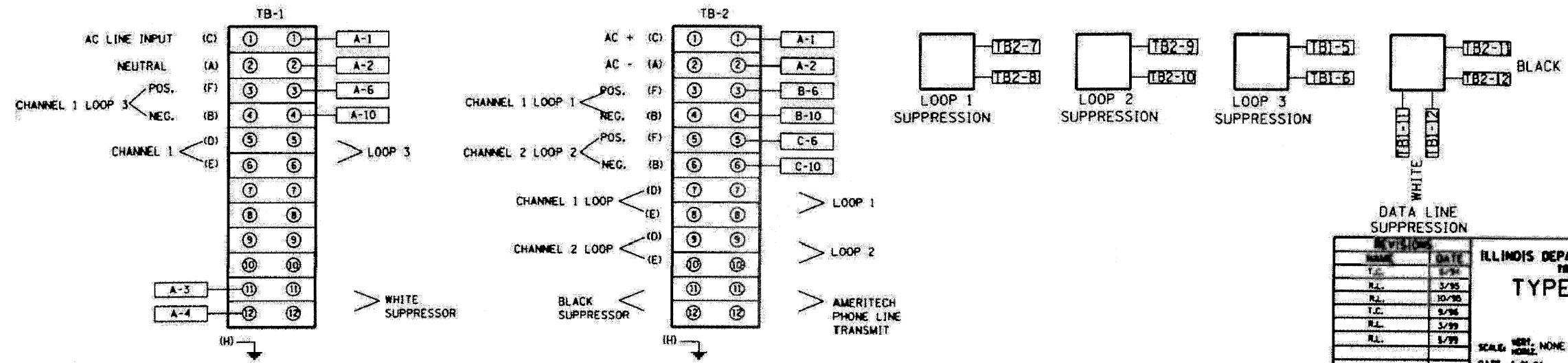
ESP TYPE 2 CABINET PEDESTAL MOUNTED



TYPICAL CABINET POWER WIRING INSTALLATION



TYPE 2 CABINET INSTALLATION



REVISIONS		DATE	DRAWN BY	CHECKED BY
NO.	DESCRIPTION			
1		8/94		
2		3/95		
3		10/98		
4		8/98		
5		3/99		
6		8/99		

ILLINOIS DEPARTMENT OF TRANSPORTATION
TRAFFIC SYSTEMS CENTER
TYPE II CABINET WIRING

SCALE: NONE
DATE: 6-21-94

DRAWN BY: G.M.
CHECKED BY: T.C.

TRAFFIC SYSTEMS CENTER (TY-1TSC-400*5)

FILE NAME -	DESIGNED - GHT	REVISED -
...prpIn_ABC_C2_TS_DET_04.dgn	DRAWN - TMB	REVISED -
USER NAME = tblank	CHECKED - MPM	REVISED -
PLT DATE = 11/12/2009	DATE - 10/16/09	REVISED -

benesch

STATE OF ILLINOIS
DEPARTMENT OF TRANSPORTATION

TRAFFIC SYSTEMS CENTER
DETAIL SHEETS

SCALE: N.T.S. SHEET NO. 4 OF 16 SHEETS STA. TO STA.

F.A. RTE.	SECTION	COUNTY	TOTAL SHEETS	SHEET NO.
290	(3031, ETC., 3838RS-5)	COOK	298	271
FED. ROAD DIST. NO.	ILLINOIS FED. AID PROJECT		CONTRACT NO. 60652	