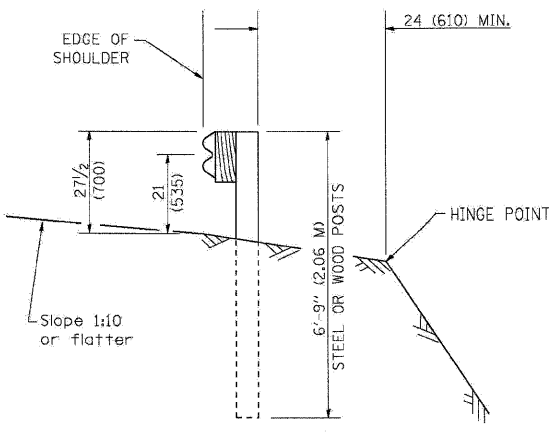
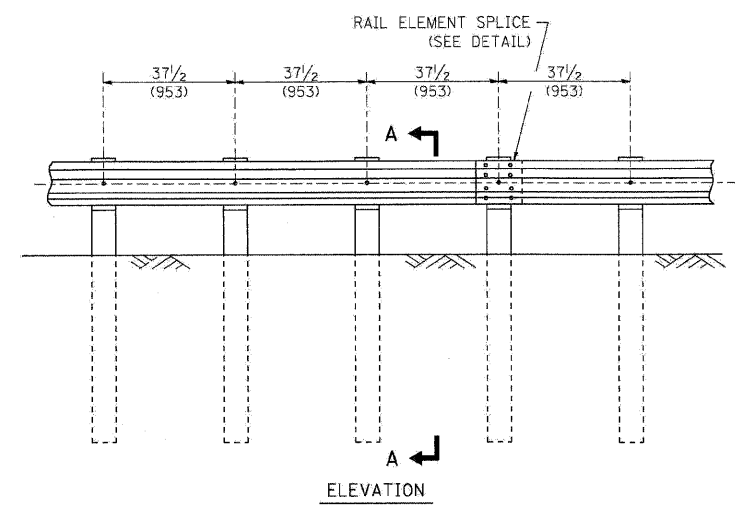


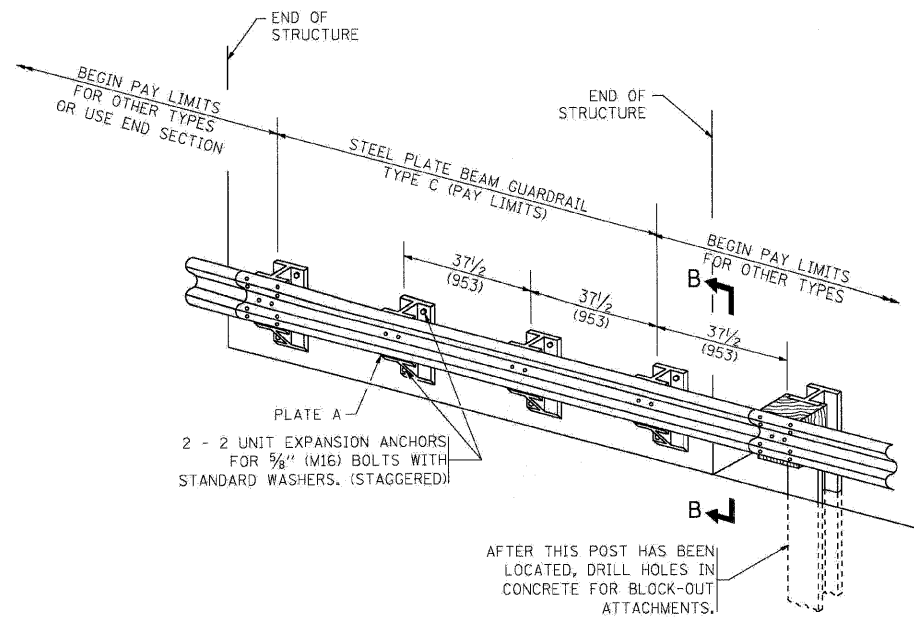
ELEVATION
TYPE A
6'-3" (1.905 M) TYPICAL POST SPACING



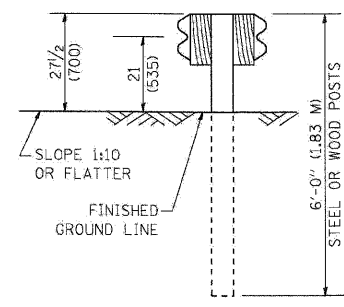
SECTION A-A



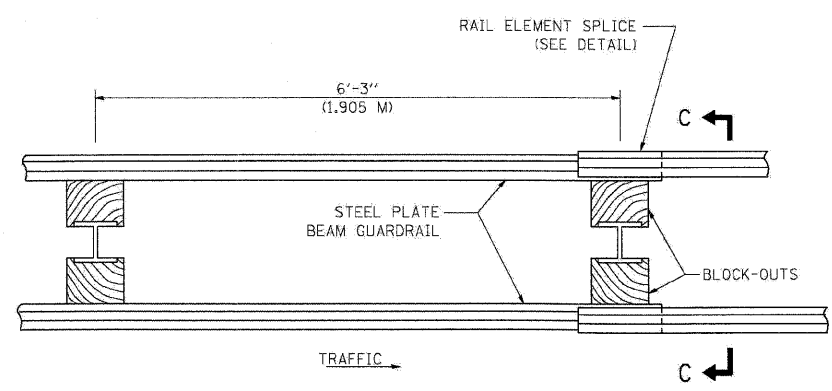
ELEVATION
TYPE A
37 1/2 (953) CLOSED POST SPACING



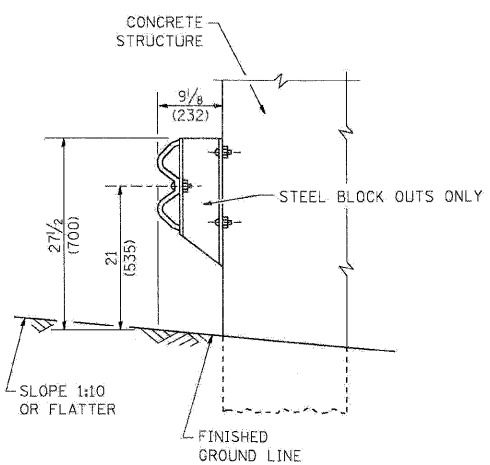
TYPE C
37 1/2 (953) BLOCK-OUT SPACING



SECTION C-C



PLAN
TYPE D
DOUBLE STEEL PLATE BEAM GUARDRAIL
6'-3" (1.905 M) TYPICAL POST SPACING



SECTION B-B

GENERAL NOTES

ALL SLOPE RATIOS ARE EXPRESSED AS UNITS OF VERTICAL DISPLACEMENT TO UNITS OF HORIZONTAL DISPLACEMENT (V:H).
ALL DIMENSIONS ARE IN INCHES (MILLIMETERS) UNLESS OTHERWISE SHOWN.
THE EXISTING STEEL POSTS MAY BE DRILLED TO MATCH THE BOLT PATTERN SHOWN HEREIN FOR THE WOOD BLOCK-OUT, OR A NEW STEEL POST SHALL BE PROVIDED.
THIS DETAIL IS APPLICABLE TO THE GUARDRAIL SYSTEM USED PRIOR TO JANUARY 1, 2007. FOR DETAILS ON THE MIDWEST GUARDRAIL SYSTEM, SEE STANDARD 630001.

BM-21

FILE NAME =	DESIGNED - AJP	REVISED -
...:\prip\in_ABC_C22.D1.BM-21A.dgn	DRAWN - TMB	REVISED -
USER NAME = tblank	CHECKED - JMM	REVISED -
PLOT DATE = 11/12/2009	DATE - 10/16/09	REVISED -

benesch

**STATE OF ILLINOIS
DEPARTMENT OF TRANSPORTATION**

REMOVE AND REERECT GUARDRAIL

SCALE: N.T.S. SHEET NO. 5 OF 15 SHEETS STA. TO STA.

F.A.I. RTE.	SECTION	COUNTY	TOTAL SHEETS	SHEET NO.
290	(3031.1, ETC., 3838)RS-S	COOK	298	288
FED. ROAD DIST. NO. ILLINOIS FED. AID PROJECT			CONTRACT NO. 60652	