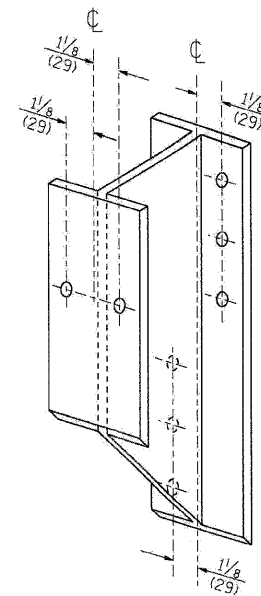
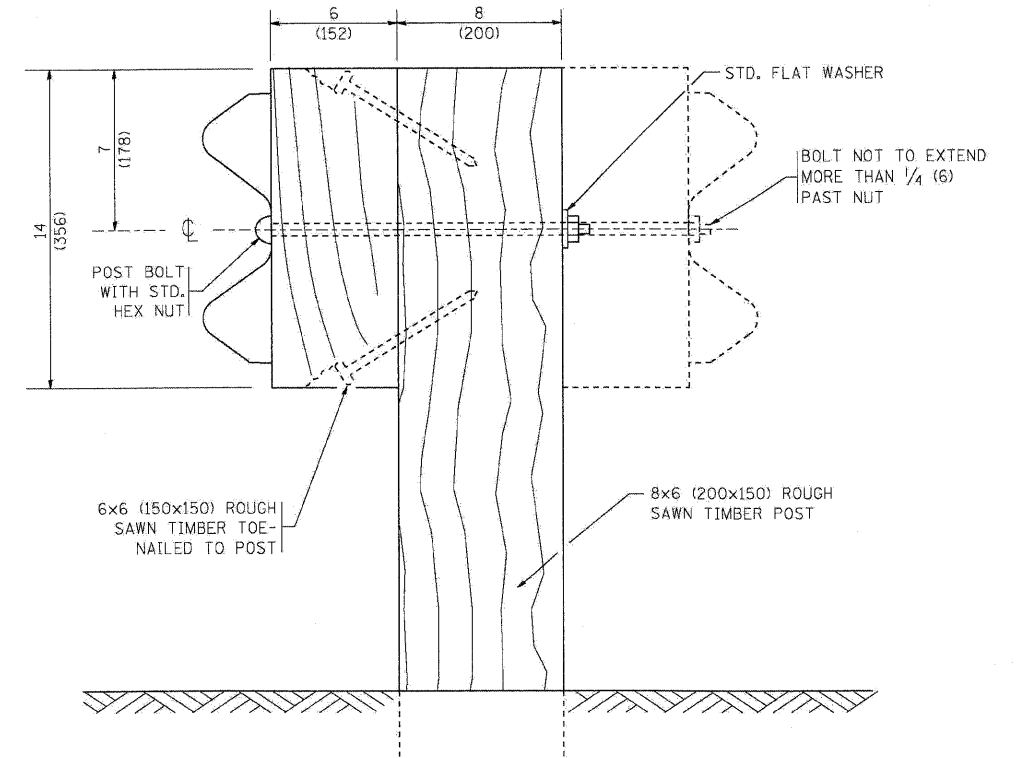


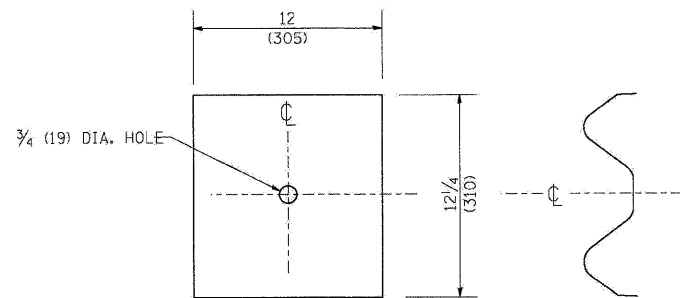
STEEL POST CONSTRUCTION



STEEL BLOCK-OUT DETAIL



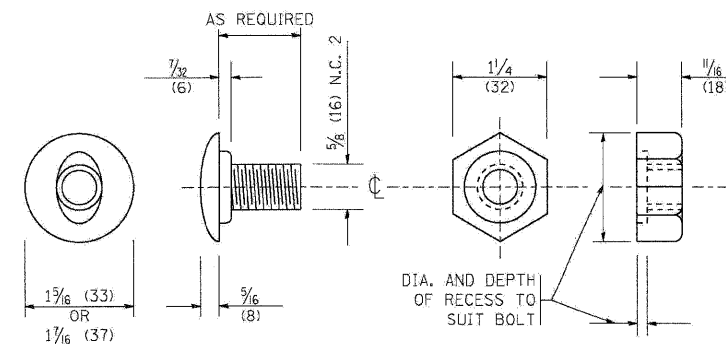
WOOD POST CONSTRUCTION



NOTE:

PLATE A SHALL BE PLACED BETWEEN RAIL ELEMENT AND BLOCK-OUT AT NON-SPLICE MOUNTING POINTS ONLY WHEN STEEL BLOCK-OUTS ARE USED.

PLATE A



POST OR SPLICE BOLT & NUT

FILE NAME =	DESIGNED - AJP	REVISED -
...prp1n_ABC_C2_01_BM-21B.dgn	DRAWN - TMB	REVISED -
USER NAME = tblank	CHECKED - JMM	REVISED -
PLOT DATE = 11/12/2009	DATE - 10/16/09	REVISED -

benesch

STATE OF ILLINOIS
DEPARTMENT OF TRANSPORTATION

REMOVE AND REERECT GUARDRAIL

SCALE: N.T.S. SHEET NO. 6 OF 15 SHEETS STA. TO STA.

F.A.I. RT.C.	SECTION	COUNTY	TOTAL SHEETS	SHEET NO.
290	13031.1, ETC., 38381RS-5	COOK	298	289
FED. ROAD DIST. NO. ILLINOIS FED. AID PROJECT			CONTRACT NO. 60G52	