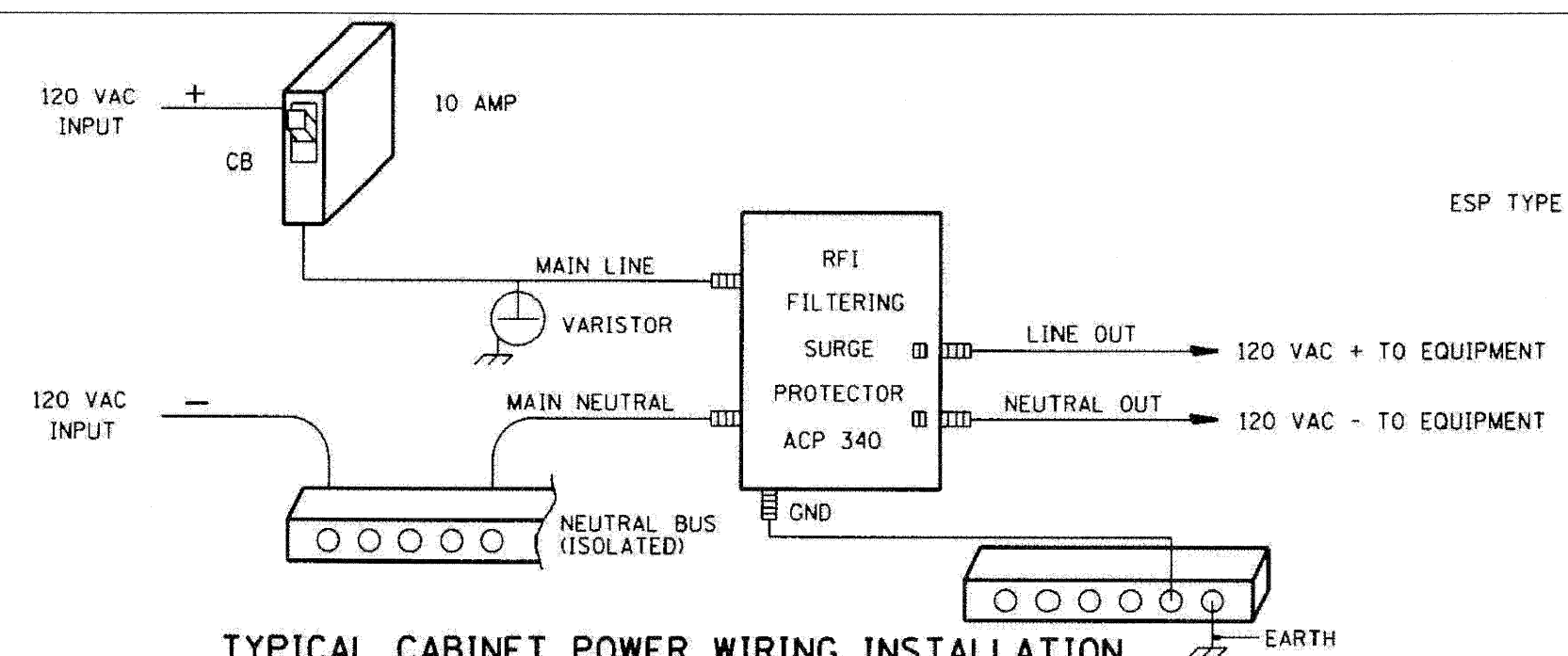
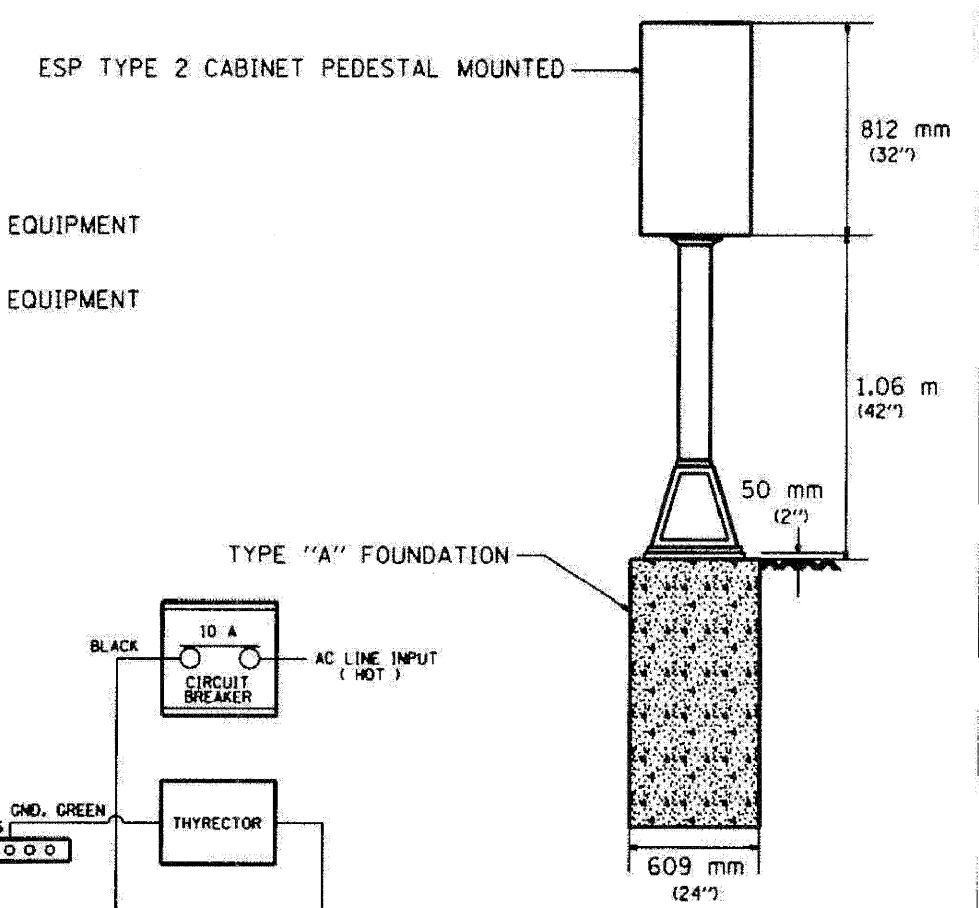
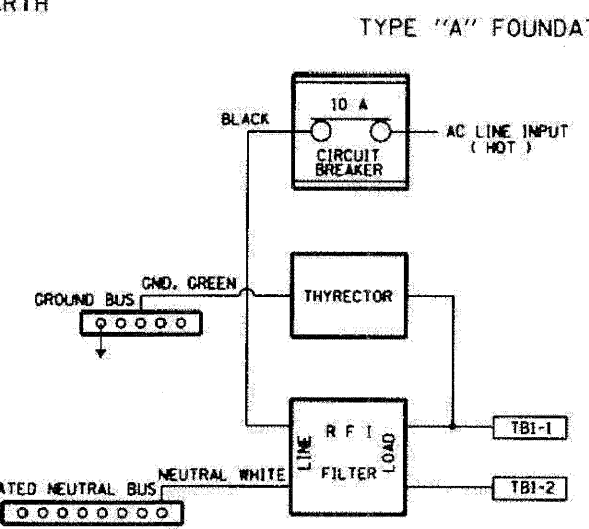
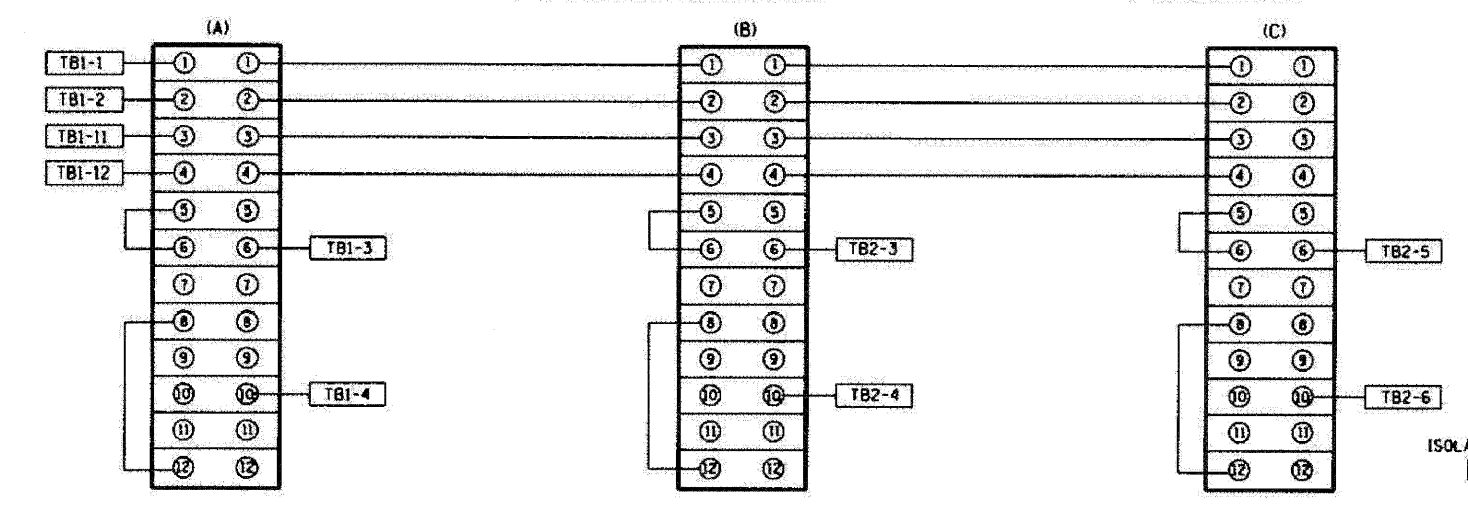


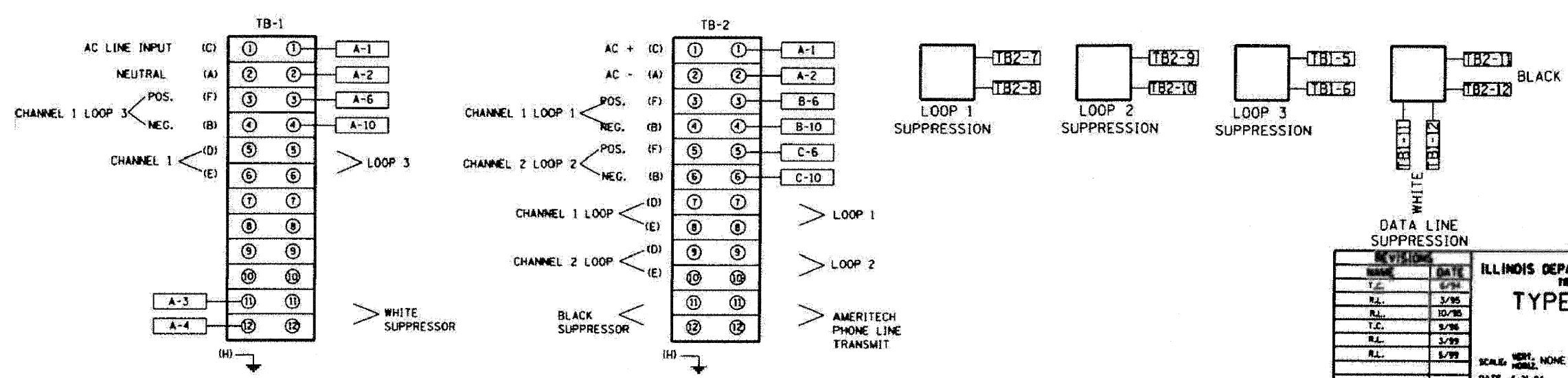
F.A. RTE.	SECTION	COUNTY	TOTAL SHEETS	SHEET NO.
STA.	TO STA.			
FED. ROAD DIST. NO.	ILLINOIS FED. AID PROJECT			



TYPICAL CABINET POWER WIRING INSTALLATION



TYPE 2 CABINET INSTALLATION



REVISIONS		ILLINOIS DEPARTMENT OF TRANSPORTATION TRAFFIC SYSTEMS CENTER TYPE II CABINET WIRING
NO.	DATE	
		SCALE: N.T.S. DATE: 6-21-94 DRAWN BY: G.M. CHECKED BY: T.C.
T.C.	5/91	
R.L.	3/95	
R.L.	10/95	
T.C.	5/96	
R.L.	3/99	
R.L.	5/99	CONTRACT NO. 60G53

TRAFFIC SYSTEMS CENTER (TY-1TSC-400*5)

FILE NAME =	DESIGNED - GHT	REVISED -
...Nprptn_ABC.C3_TS_DET_04.dgn	DRAWN - DMS	REVISED -
USER NAME = blank	CHECKED - MPM	REVISED -
PLOT DATE = 11/12/2009	DATE - 10/16/09	REVISED -

benesch

STATE OF ILLINOIS
DEPARTMENT OF TRANSPORTATION

TRAFFIC SYSTEM CENTER DETAIL SHEETS	
SCALE: N.T.S.	SHEET NO. 4 OF 15 SHEETS
STA.	TO STA.

F.A. RTE.	SECTION	COUNTY	TOTAL SHEETS	SHEET NO.
290	(2828B,D, ETC., 3031,1RS-6	COOK	185	159
FED. ROAD DIST. NO.	ILLINOIS FED. AID PROJECT		CONTRACT NO. 60G53	