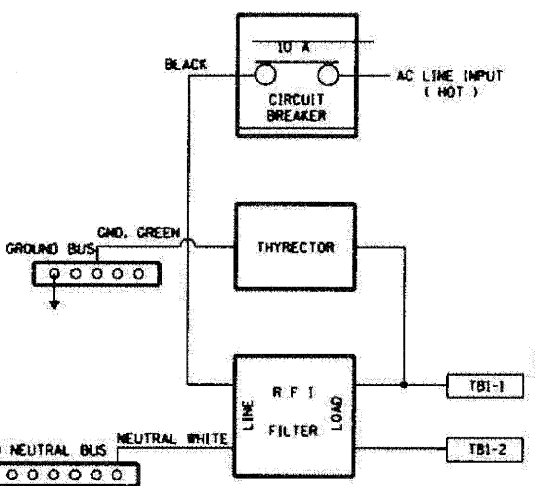
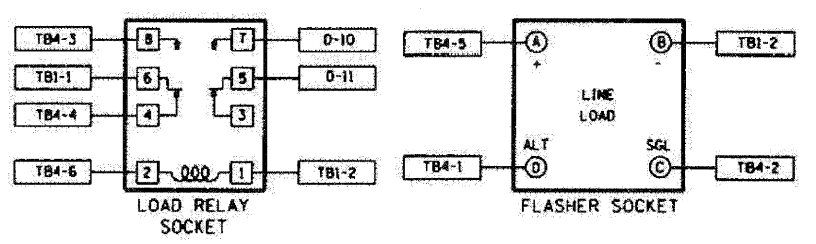
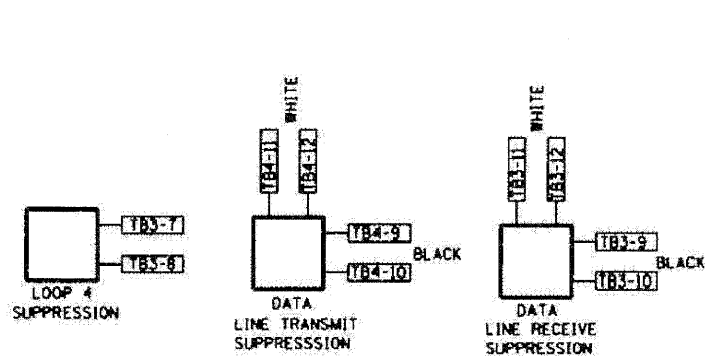
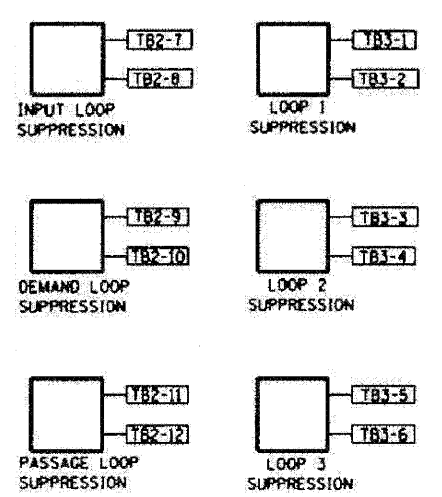
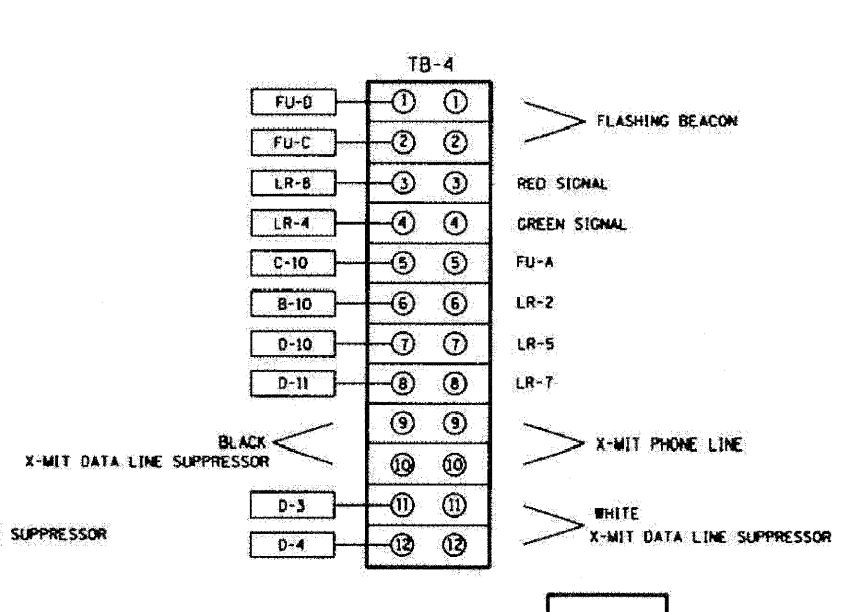
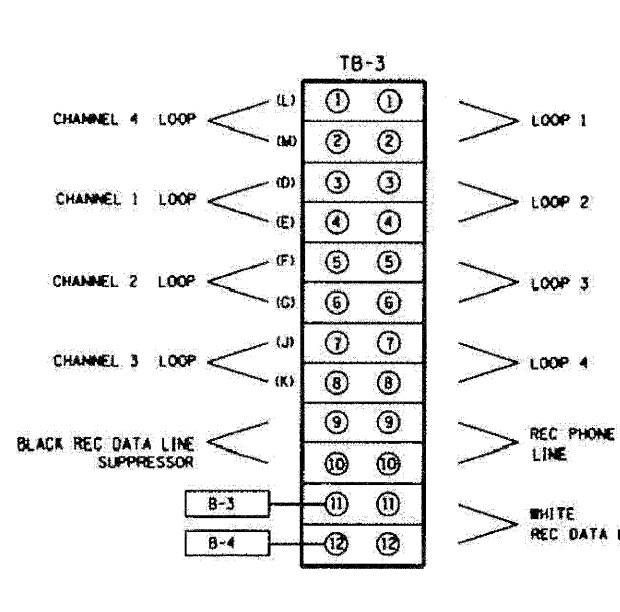
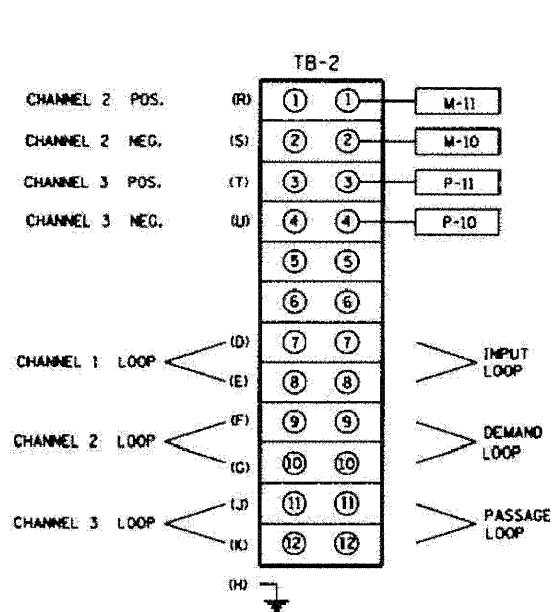
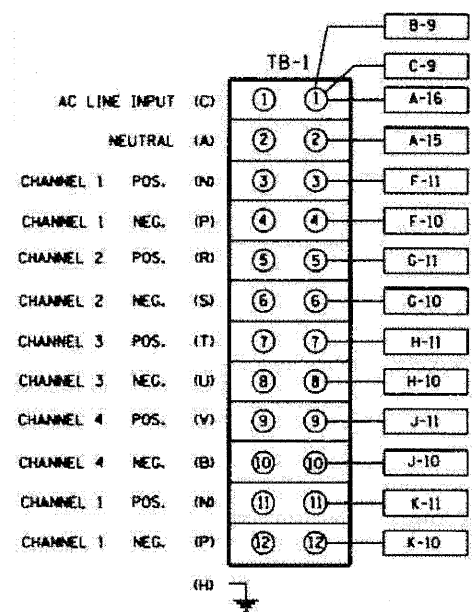
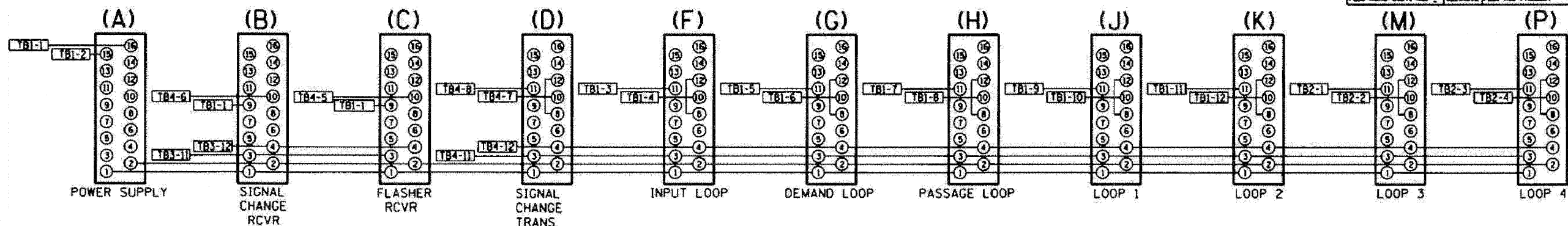


BACK VIEW OF TONE RACK

F.A. RTE.	SECTION	COUNTY	TOTAL SHEETS	SHEET NO.
STA.	TO STA.			
FED. ROAD DIST. NO. ...	ILLINOIS FED. AID PROJECT			



CABINET NO.		REVISIONS		ILLINOIS DEPARTMENT OF TRANSPORTATION TRAFFIC SYSTEMS CENTER METERING CABINET WIRING DIAGRAM SCALE: NONE, NONE DATE: 6/21/94 DRAWN BY: G.M. CHECKED BY: T.C.
NAME	DATE	NAME	DATE	
T.C.	6/94			
R.L.	3/95			

TRAFFIC SYSTEMS CENTER (TY-1TSC-400#8)

FILE NAME -	DESIGNED - GHT	REVISED -
...\\prpln_abc_c3_ts_det_05.dgn	DRAWN - DMS	REVISED -
USER NAME = tblank	CHECKED - MPM	REVISED -
PLOT DATE = 11/12/2009	DATE - 10/16/09	REVISED -

benesch

STATE OF ILLINOIS
DEPARTMENT OF TRANSPORTATION

TRAFFIC SYSTEM CENTER
DETAIL SHEETS

SCALE: N.T.S. SHEET NO. 5 OF 15 SHEETS STA. TO STA.

F.A. RTE.	SECTION	COUNTY	TOTAL SHEETS	SHEET NO.
290	(2828B,D, ETC., 3031,IRS-6	COOK	185	160
CONTRACT NO. 60G53				