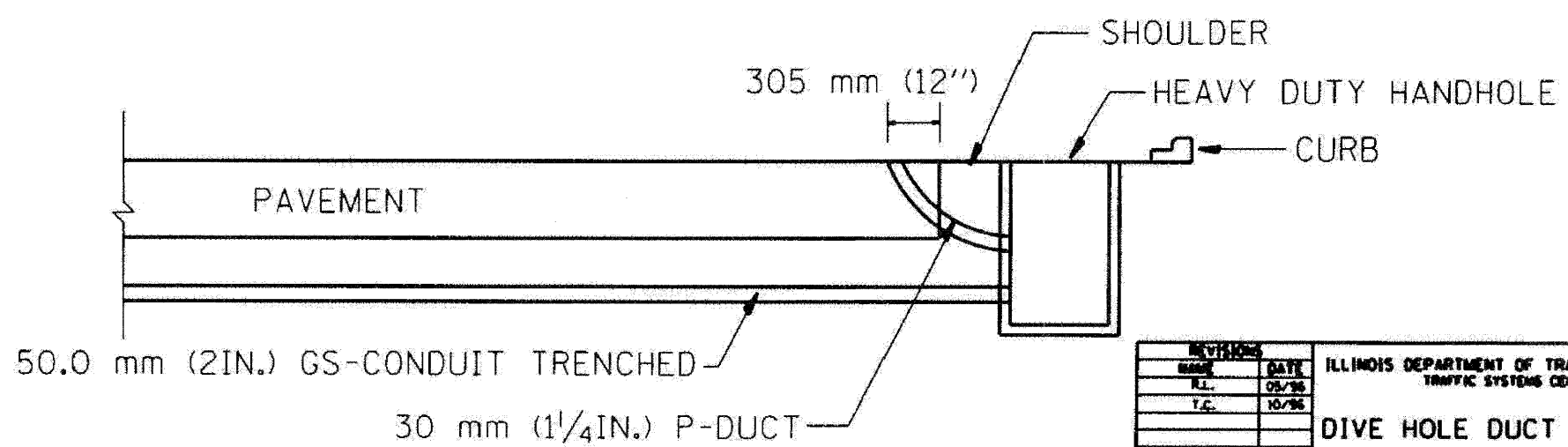
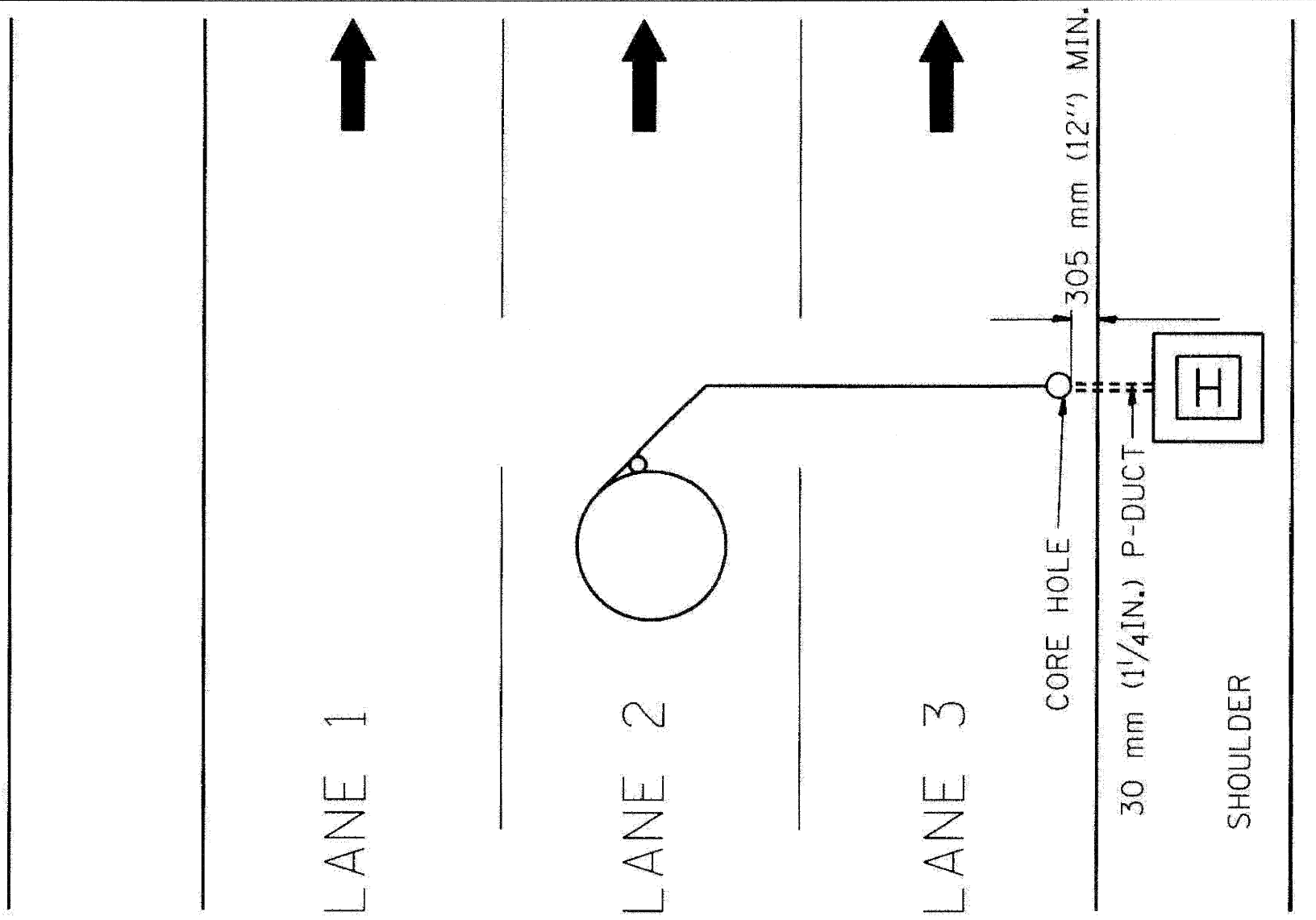


F.A.I. R.F.E.	SECTION	COUNTY	TOTAL SHEETS	SHEET NO.
STA.	TO STA.			
FED. ROAD DIST. NO.		ILLINOIS FED. AID PROJECT		



REVISIONS	
NO.	DATE
R.L.	05/98
T.G.	10/98

ILLINOIS DEPARTMENT OF TRANSPORTATION
 TRAFFIC SYSTEMS CENTER
DIVE HOLE DUCT SYSTEM
 SCALE: HORIZ. NONE
 DATE 11/7/98
 DRAWN BY: C.M.
 CHECKED BY: R.L.

TRAFFIC SYSTEMS CENTER (TY-1TSC-418#8)

FILE NAME =	DESIGNED - GHT	REVISED -
...prpln_abc_c3_ts_det_13.dgn	DRAWN - DMS	REVISED -
USER NAME = sblank	CHECKED - MPM	REVISED -
PLOT DATE = 11/12/2009	DATE - 10/16/09	REVISED -

benesch

STATE OF ILLINOIS
 DEPARTMENT OF TRANSPORTATION

TRAFFIC SYSTEM CENTER
 DETAIL SHEETS

SCALE: N.T.S. SHEET NO. 13 OF 15 SHEETS STA. TO STA.

F.A.I. R.F.E.	SECTION	COUNTY	TOTAL SHEETS	SHEET NO.
290	(2828B.D, ETC., 3031.DRS-6	COOK	185	168
FED. ROAD DIST. NO.			ILLINOIS FED. AID PROJECT	
			CONTRACT NO. 60G53	