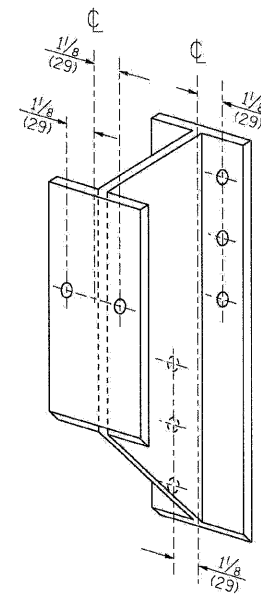
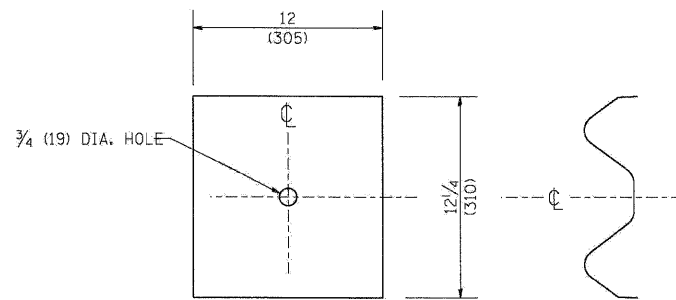


STEEL POST CONSTRUCTION



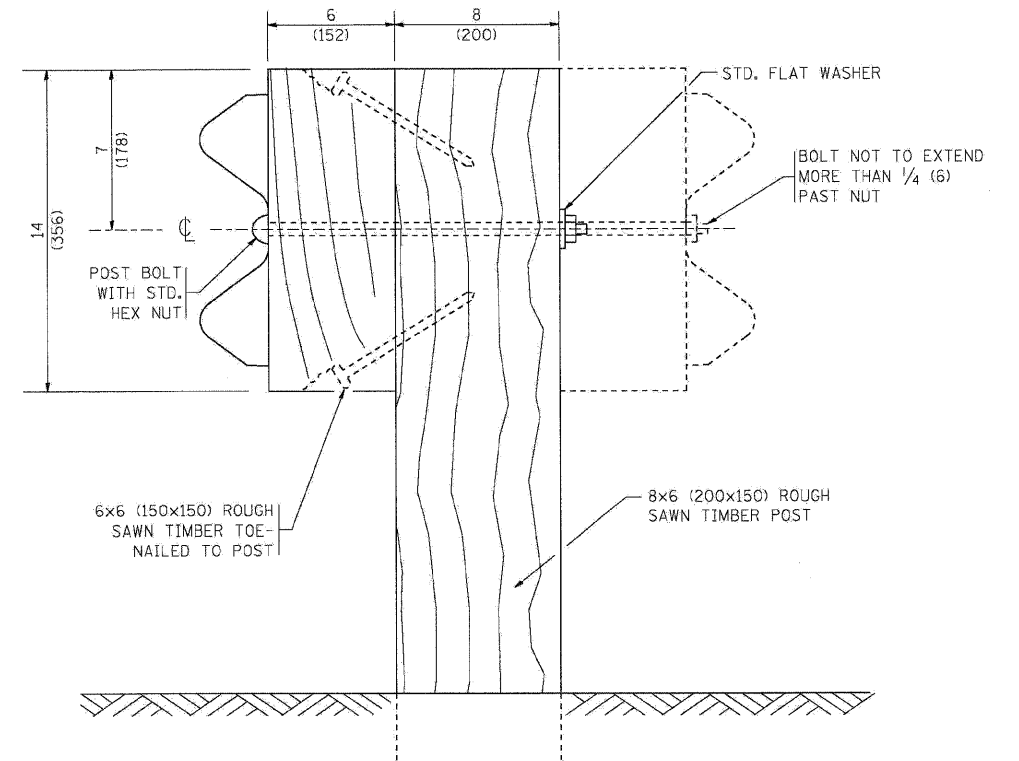
STEEL BLOCK-OUT DETAIL



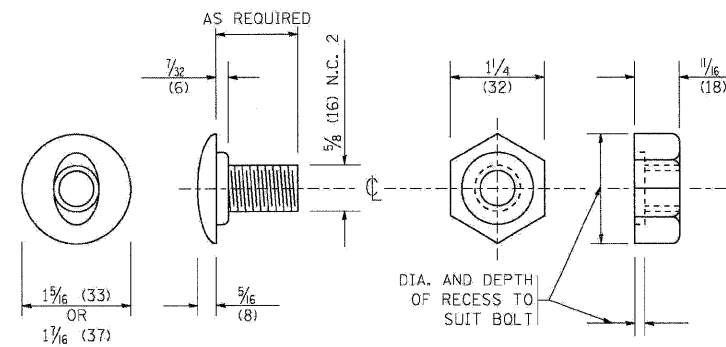
NOTE:

PLATE A SHALL BE PLACED BETWEEN RAIL ELEMENT AND BLOCK-OUT AT NON-SPLICE MOUNTING POINTS ONLY WHEN STEEL BLOCK-OUTS ARE USED.

PLATE A



WOOD POST CONSTRUCTION



POST OR SPLICE BOLT & NUT

| | | |
|--------------------------------|-----------------|-----------|
| FILE NAME = | DESIGNED - AJP | REVISED - |
| ...\\ppln\abc\C3_01_3M-213.dgn | DRAWN - TMB | REVISED - |
| USER NAME = tblank | CHECKED - JMM | REVISED - |
| PLOT DATE = 11/12/2009 | DATE - 10/16/09 | REVISED - |

benesch

**STATE OF ILLINOIS
DEPARTMENT OF TRANSPORTATION**

REMOVE AND REERECT GUARDRAIL

SCALE: N.T.S. SHEET NO. 6 OF 15 SHEETS STA. TO STA.

| F.A.I. RTE. | SECTION | COUNTY | TOTAL SHEETS | SHEET NO. |
|---|----------------------------|--------|--------------------|-----------|
| 290 | (2828B,D, ETC., 3031,1RS-6 | COOK | 185 | 176 |
| FED. ROAD DIST. NO. ILLINOIS FED. AID PROJECT | | | CONTRACT NO. 60653 | |