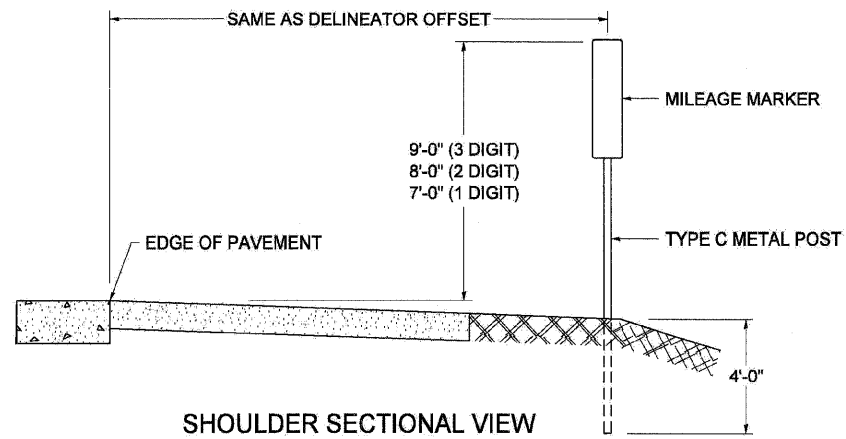
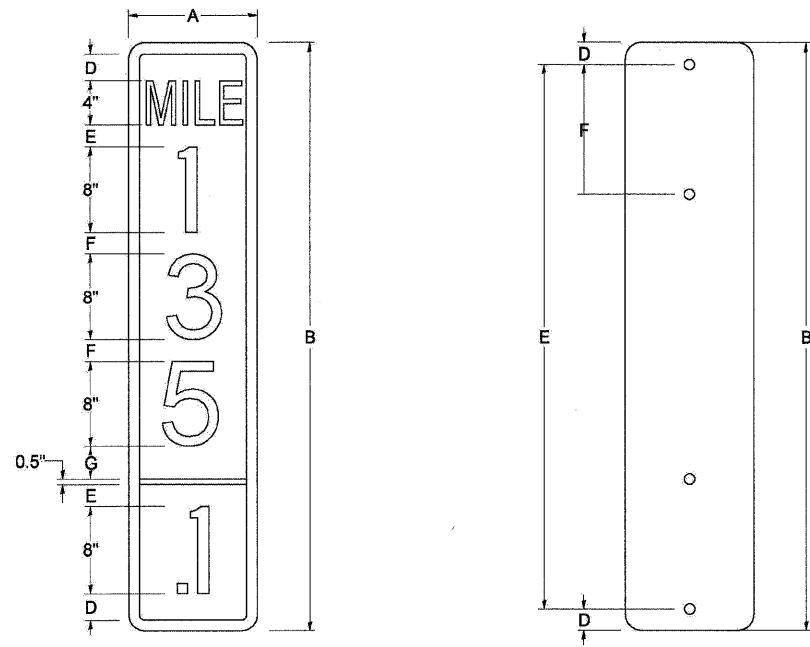


STANDARD DESIGN FOR MILE POST



SHOULDER SECTIONAL VIEW

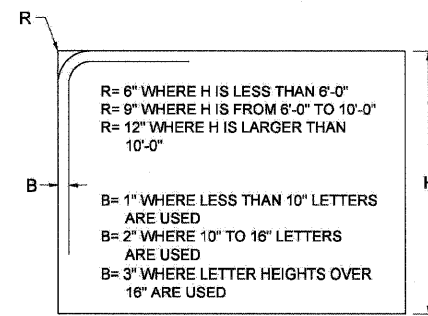


SIGN SIZE	DIMENSIONS							
	A	B	C	D	E	F	G	DIGIT
12 x 24	12.0	24.0	1.5	1.5	1.5	N/A	1.5	1
12 x 36	12.0	36.0	1.5	2.0	2.0	2.0	1.5	2
12 x 48	12.0	48.0	1.5	2.5	2.0	2.0	2.5	3

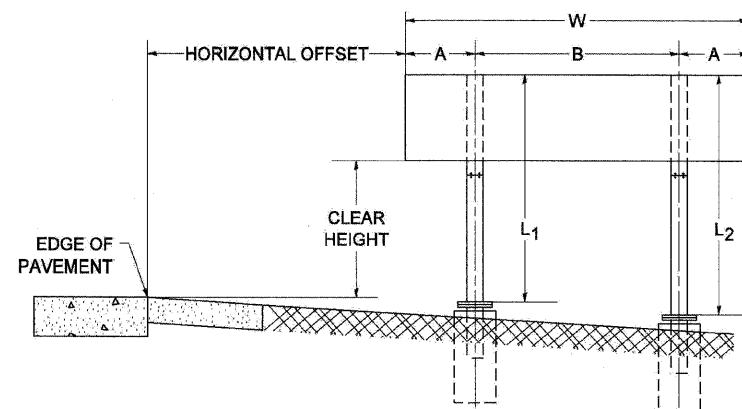
BLANK	A	B	C	D	E	F
B9-1224	12.0	24.0	1.5	2.0	20.0	N/A
B9-1236	12.0	36.0	1.5	2.0	32.0	12.0
B9-1248	12.0	48.0	1.5	2.0	44.0	12.0

SIGN SIZE	SERIES					BORDER	BLANK STD.
	LINES						
	1	2	3	4	5		
12 x 24	4C	8D	4C	N/A	N/A	0.5	B9-1224
12 x 36	4C	8D	8D	4C	N/A	0.5	B9-1236
12 x 48	4C	8D	8D	8D	4C	0.5	B9-1248

BORDER AND RADIUS LAYOUT



MAJOR GUIDE SIGN LAYOUT

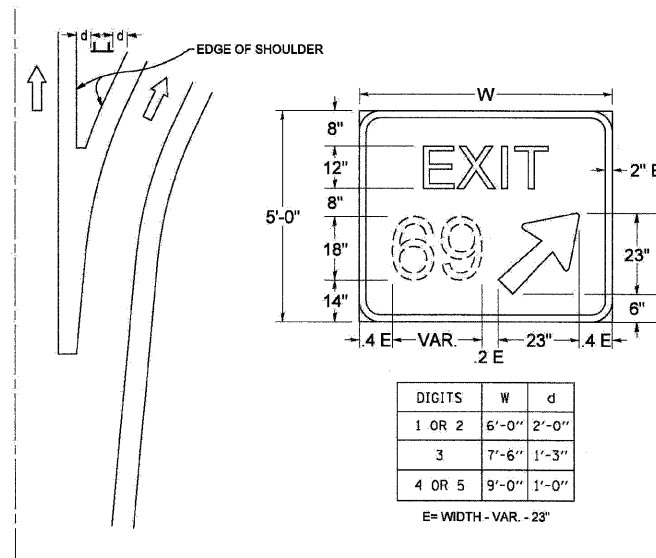


NUMBER OF STEEL SUPPORTS	A	B
2	.2 W	.6 W
3	.15 W	.35 W
4	.125 W	.25 W
5	.1 W	.2 W

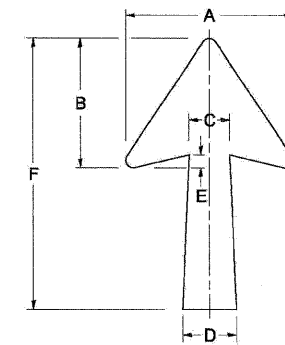
"L₁" IS THE LENGTH OF SUPPORT, NOT INCLUDING THE STUB PROJECTION, CLOSEST TO THE EDGE OF THE PAVEMENT.

"A" IS THE DISTANCE FROM THE SIGN EDGE TO THE CENTERLINE OF THE NEAREST SUPPORT. "B" IS THE DISTANCE BETWEEN CENTERLINES OF SUPPORTS.

GORE SIGNS

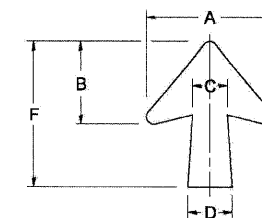


STANDARD ARROWS FOR INTERSTATE GUIDE SIGNS



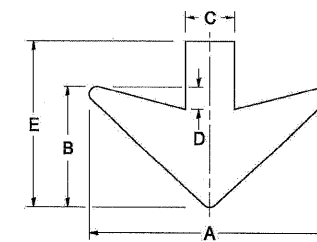
ARROW SYMBOL	A	B	C	D	E	F	R
24 1/4 x 15 1/8	15 1/8	11 1/8	3 3/4	5	1 5/8	24 1/4	1 5/8
29 1/4 x 18 1/4	18 1/4	14	4 1/2	6	1 1/2	29 1/4	3/4
35 3/8 x 22 1/4	22 1/4	17	5 3/8	7 1/8	1 3/4	35 3/8	1
18 1/4 x 11 1/4	11 1/4	8 3/4	3 3/8	3 3/8		18 1/4	

NOTE: D & F ARE RECOMMENDED DIMENSIONS. TAPER SHOULD BE HELD CONSTANT FOR LONGER OR SHORTER SHAFT LENGTHS



ARROW SYMBOL	A	B	C	D	E	F	R
17 1/4 x 14 1/4	14 1/4	9 3/8	3 3/8	4 1/2	1 5/8	17 1/4	3/4
20 1/4 x 17 1/4	17 1/4	11 3/4	4 3/8	5 5/8	1 1/2	20 1/4	
25 x 21 1/8	21 1/8	14 1/4	5	6 3/4	1 3/4	25	1
9 3/8 x 8 3/8	8 3/8	5 3/8	2 3/8	2 3/8		9 3/8	1/2

DOWN ARROWS



ARROW SYMBOL	A	B	C	D	E	R
16 1/2 x 24	24	12	5	1 1/2	16 1/2	3/4
22 x 32	32	16	6 1/2	3	22	1

FILE NAME =	DESIGNED - AJP	REVISED -
USER NAME = jmajewski	DRAWN - TMB	REVISED -
PLDT DATE = 12/16/2009	CHECKED - JMM	REVISED -
	DATE - 10/16/09	REVISED -

benesch

**STATE OF ILLINOIS
DEPARTMENT OF TRANSPORTATION**

**MILE POST MARKERS - GORE SIGNS -
MAJOR GUIDE SIGN LAYOUT - ARROWS**

SCALE: N.T.S. SHEET NO. 8 OF 8 SHEETS STA. TO STA.

F.A.I. RTE.	SECTION	COUNTY	TOTAL SHEETS	SHEET NO.
290	(2828B,D, ETC., 3031, IRS-6	COOK	300	300
FED. ROAD DIST. NO. [ILLINOIS] FED. AID PROJECT			CONTRACT NO. 60653	