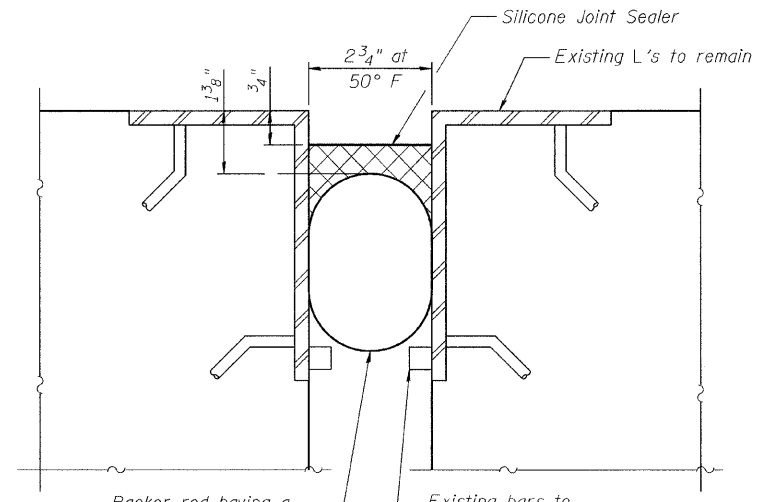


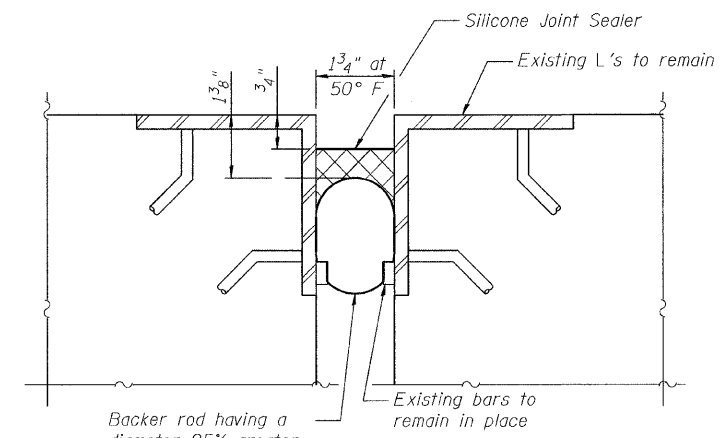
Contract # 60H76



Backer rod having a diameter 25% greater than joint opening at the time of installation.

SB, N. ABUTMENT EXPANSION JOINT

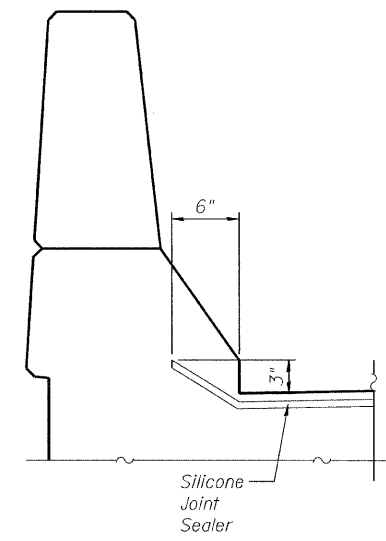
(Horiz. dimensions at Rt. L's)
 Note: Remove existing preformed joint sealer.
 Cost included with Silicone Joint Sealer, 2 3/4"



Backer rod having a diameter 25% greater than joint opening at the time of installation.

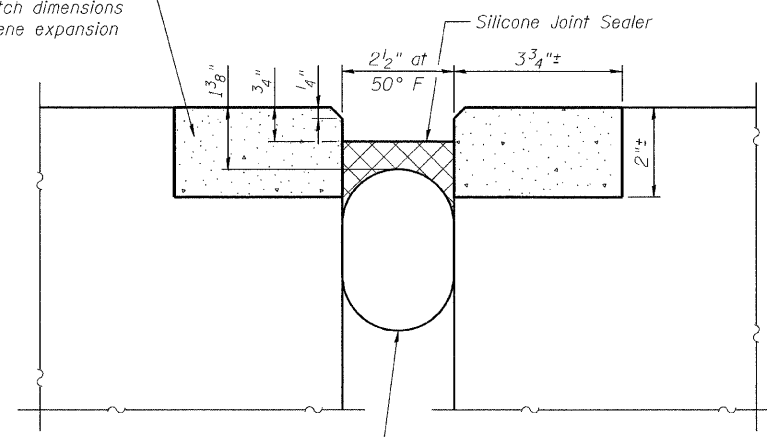
SB, S. ABUTMENT EXPANSION JOINT

(Horiz. dimensions at Rt. L's)
 Note: Remove existing preformed joint sealer.
 Cost included with Silicone Joint Sealer, 1 3/4"



SB END TREATMENT

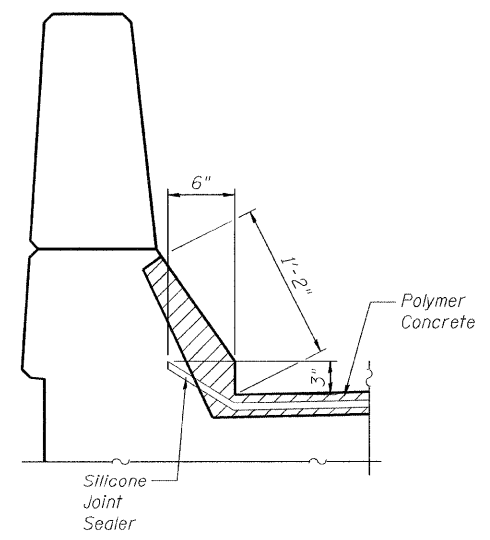
Polymer Concrete Nosing.
 Dimensions to match dimensions of existing neoprene expansion joint.



Backer rod having a diameter 25% greater than joint opening at the time of installation.

NB, N. ABUTMENT EXPANSION JOINT

(Horiz. dimensions at Rt. L's)
 Note: Remove existing neoprene expansion joint.
 Cost included with Silicone Joint Sealer, 2.5"



NB END TREATMENT

Notes:
 1. Joint opening widths are based on original plans. Contractor must verify dimensions.

BILL OF MATERIAL

Item	Unit	Quantity
Silicone Joint Sealer, 2.5"	Foot	51
Polymer Concrete	Cu. Ft.	5.3
Silicone Joint Sealer, 1 3/4"	Foot	53
Silicone Joint Sealer, 2 3/4"	Foot	51

DESIGNED	E.E.J.
CHECKED	J.A.Z.
DRAWN	E.E.J.
CHECKED	J.A.Z.

EXPANSION JOINTS
 SB ABUTMENTS & NB NORTH ABUTMENT
 IL 50 (CICERO AVE) OVER BRC R.R.
 F.A.P. 350, SECTION 50-1 VB-1-BR
 COOK COUNTY
 S.N. 016-2512 (S.B.), 016-2513 (N.B.)
 DATE: 10-23-09
 GRAEF
 CHICAGO
 ILLINOIS