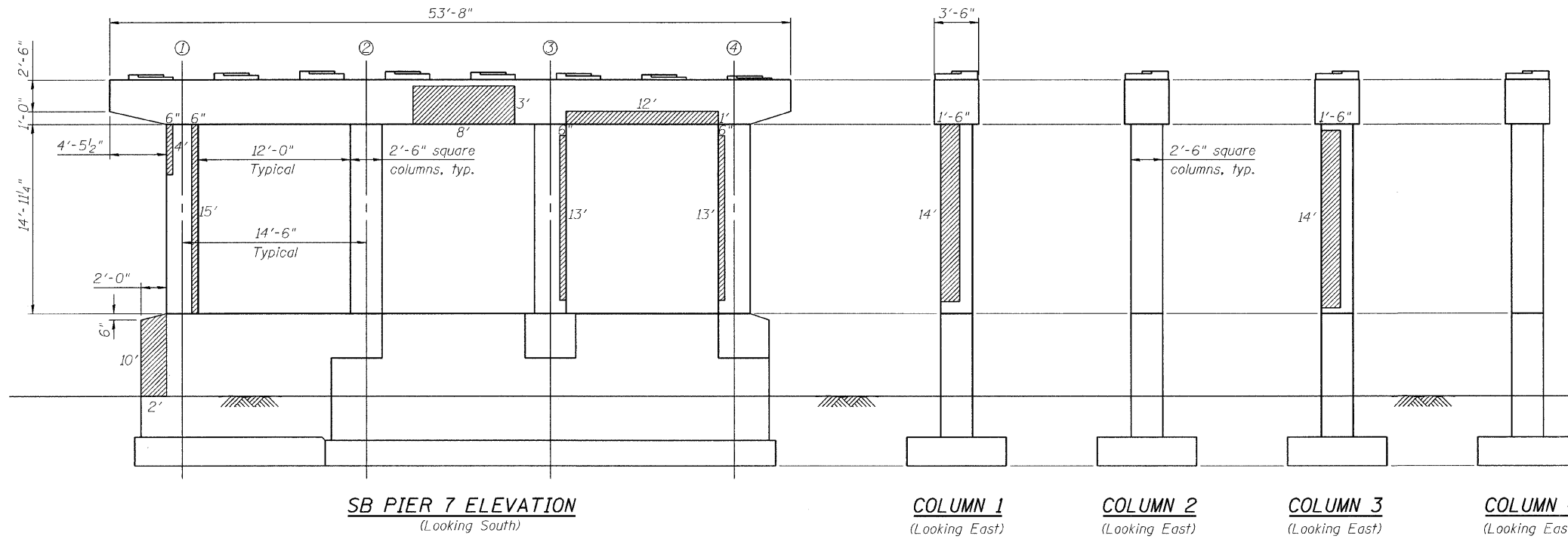
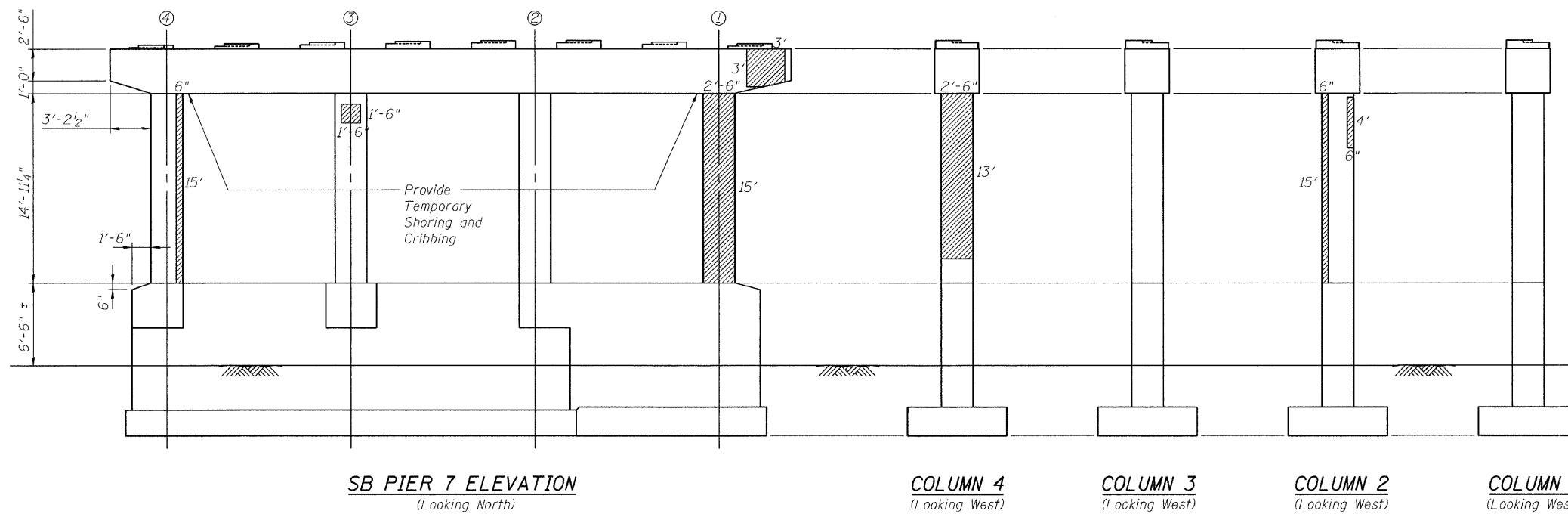


Contract # 60H76



**SB PIER 7 REACTIONS  
(BEAM LOADS ONLY)**

	Span 7	Span 8
R <sub>DL</sub> (k)	38.9	19.0
R <sub>sDL</sub> (k)	5.2	2.1
R <sub>LL</sub> (k)	33.9	28.3
R <sub>I</sub> (k)	8.6	8.5
R <sub>Total</sub> (k)	86.6	58.2



**BILL OF MATERIAL**

Item	Unit	Quantity
Structural Repair of Concrete (Depth Equal to or Less than 5")	Sq. Ft.	219

**LEGEND**

- Structural Repair of Concrete (Depth equal to or less than 5")
- Column Number

DESIGNED	E.E.J.
CHECKED	J.A.Z.
DRAWN	E.E.J.
CHECKED	J.A.Z.

**SB PIER 7 REPAIRS**  
 IL 50 (CICERO AVE) OVER BRC R.R.  
 F.A.P. 350, SECTION 50-1 VB-1-BR  
 COOK COUNTY

S.N. 016-2512 (S.B.), 016-2513 (N.B.)  
 DATE: 10-23-09

GRAEF  
 CHICAGO

ILLINOIS