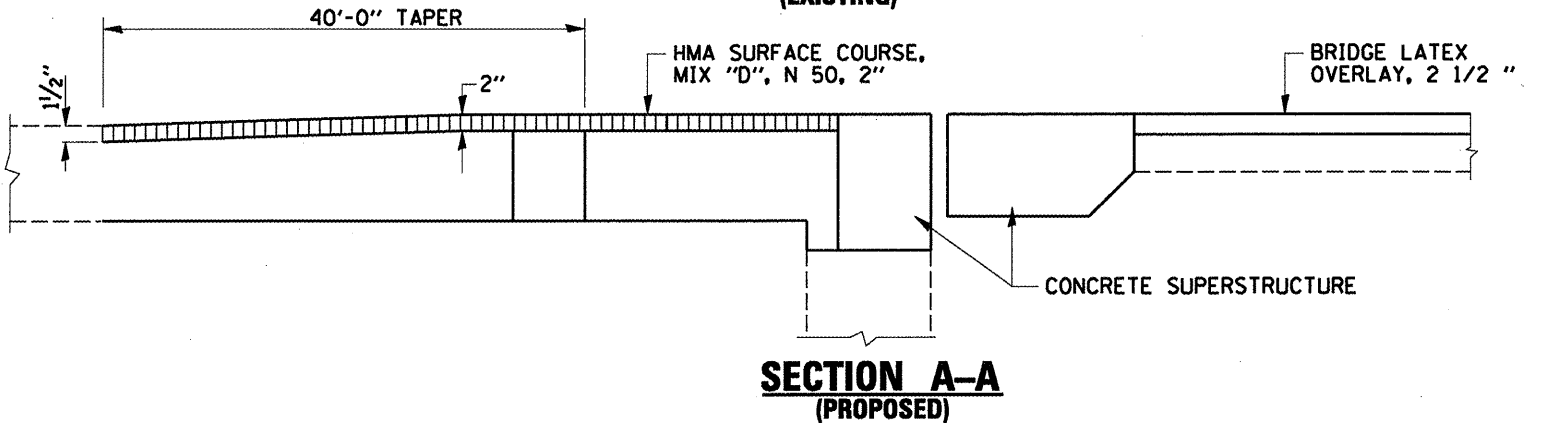
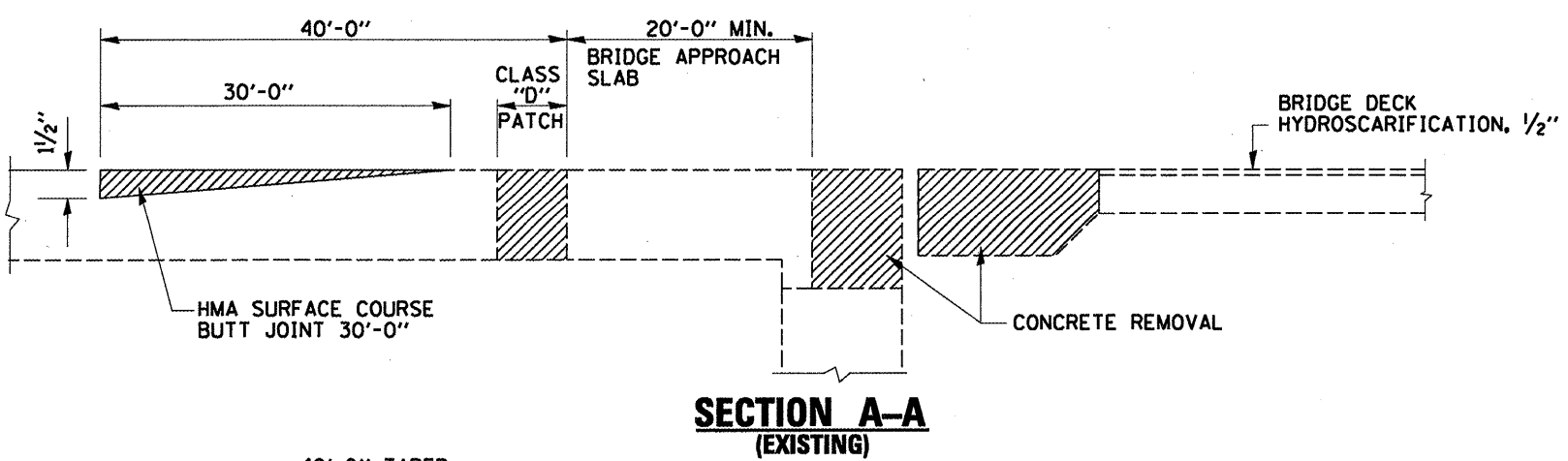


PLAN VIEW



HMA MIXTURE REQUIREMENTS	
MIXTURE TYPE	AIR VOIDS @ Ndes
HMA SURFACE COURSE, MIX "D", N 50 (IL-9.5 mm)	4 % @ 50 GYR
CLASS "D" PATCH (HMA BINDER IL-19 mm)	4 % @ 70 GYR

NOTE:

THE UNIT WEIGHT USED TO CALCULATE ALL HMA SURFACE MIX QUANTITIES IS 112 LBS/SQ.YD./IN.
 THE "AC TYPE" FOR POLYMERIZED HMA MIXES SHALL BE "SBS/SBR PG 70-22" AND FOR NON-POLYMERIZED HMA THE "AC TYPE" SHALL BE "PG 64-22" UNLESS MODIFIED BY DISTRICT ONE SPECIAL PROVISIONS.
 FOR "PERCENT OF RAP" SEE DISTRICT ONE SPECIAL PROVISIONS.
 THE CONTRACTOR SHALL PATCH AND REPAIR THE BRIDGE APPROACH SLAB BEFORE RESURFACING. SEE "APPROACH SLAB REPAIR DETAILS".

FILE NAME =	USER NAME = tniakosmv	DESIGNED -	REVISED -
at\pwwork\PM\DOT\TINI\AKOSM\11011671\016-0948.dgn		DRAWN -	REVISED -
PLOT SCALE = 1/8" = 1'-0"		CHECKED -	REVISED -
PLOT DATE = 11/4/2009		DATE -	REVISED -

**STATE OF ILLINOIS
DEPARTMENT OF TRANSPORTATION**

IL 19 (IRVING PARK ROAD) OVER EJ & E RR RESURFACING AND PAVEMENT MARKING PLAN S.N. 016-0948			
SCALE:	SHEET NO.	OF SHEETS	STA. TO STA.

F.A.U. RTE. 1321	SECTION 0303 VB-1	COUNTY COOK	TOTAL SHEETS 216	SHEET NO. 6
CONTRACT NO. 60H80				
ILLINOIS FED. AID PROJECT				