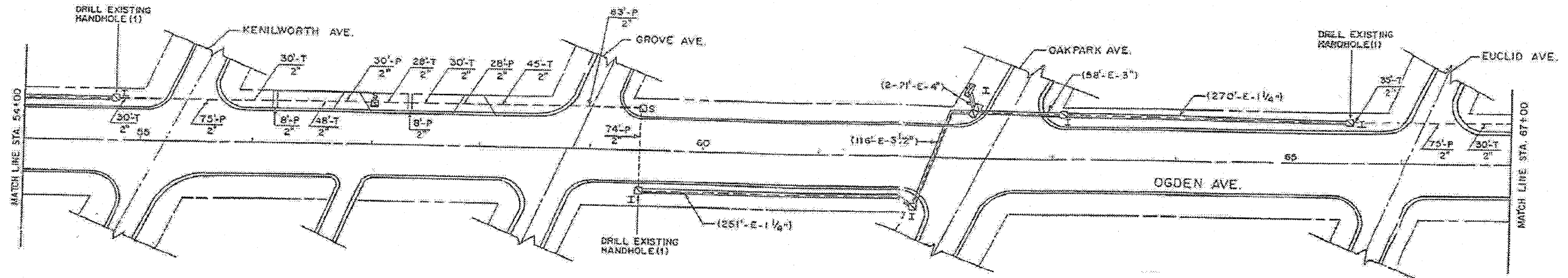


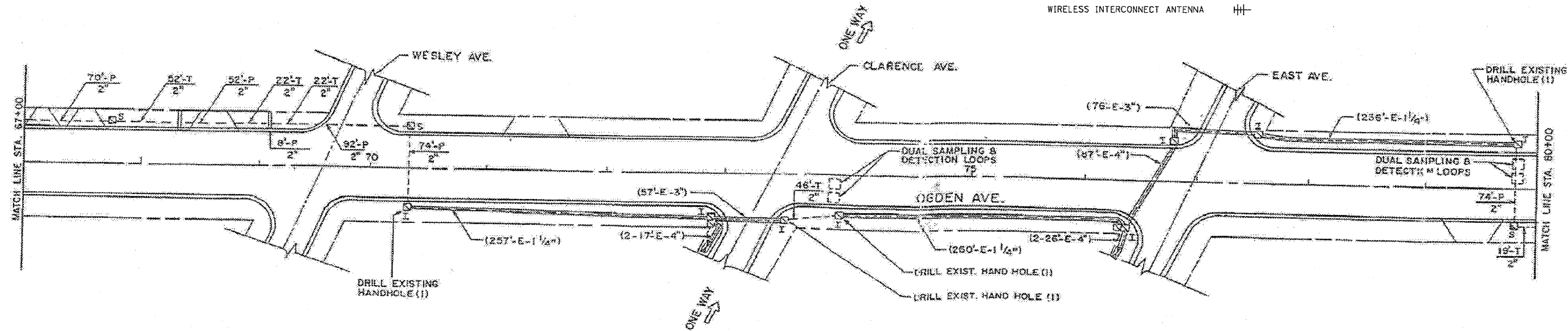
NOTE:  
THE TRAFFIC SIGNAL CONTROLLER EQUIPMENT  
FOR THIS PROJECT SHALL BE "EAGLE" TO  
MATCH THE EXISTING ADJACENT SYSTEM.



FOR INFORMATION ONLY

INTERCONNECT PLAN LEGEND

	PROPOSED	EXISTING
CONTROLLER	☒	☒
HANDHOLE	◻	◻
DOUBLE HANDHOLE	◻	◻
HEAVY-DUTY HANDHOLE	◻	◻
C.S. CONDUIT IN TRENCH (T) OR PUSHED (P)	---	---
DETECTOR LOOP	◻	◻
SYSTEM	S	S
INTERSECTION	IP	I
UNIT DUCT	UD	UD
COMMON TRENCH	CT	CT
WIRELESS INTERCONNECT ANTENNA	⊥	⊥



FILE NAME = P:\P-07-1600-7-10\Design\SH028r.dgn	USER NAME = rdehnan	DESIGNED - TCM/BPR	REVISED - 09/08/2009 PER IDOT
		DRAWN - TCM/BPR	REVISED -
		CHECKED - TCM	REVISED -
		DATE - 07/02/2009	REVISED -

STATE OF ILLINOIS  
DEPARTMENT OF TRANSPORTATION

INTERCONNECT PLAN (SHEET 3 OF 6)  
U.S. RTE 34 (OGDEN AVE.)  
FROM ILL RTE 43 (HARLEM AVE.) TO CENTRAL AVE.

SCALE: 1"=50' SHEET NO. OF SHEETS STA. TO STA.

F.A.P. RTE.	SECTION	COUNTY	TOTAL SHEETS	SHEET NO.
348	2009 078 TS	COOK	33	28
CONTRACT NO. 60115				
FED. ROAD DIST. NO. ILLINOIS FED. AID PROJECT				

