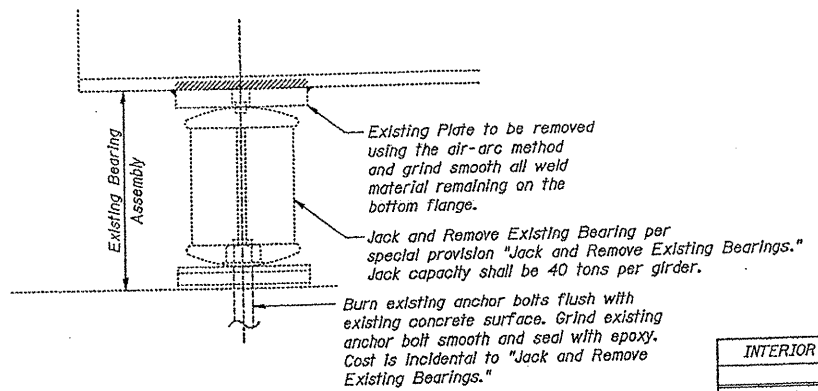


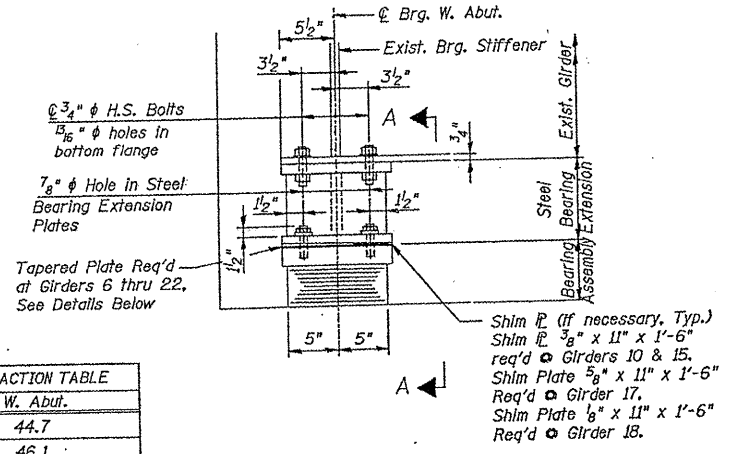
Contract 60116

**FOR INFORMATION ONLY**

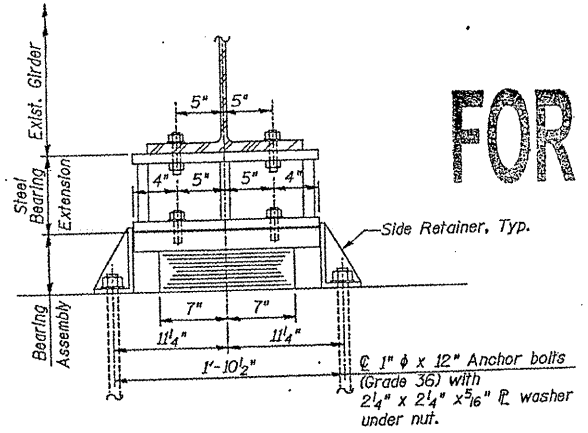


EXISTING BEARING REMOVAL DETAIL AT W. ABUT.  
GIRDERS 6 THRU 22

	W. Abut.
R <sub>1</sub> (K)	44.7
R <sub>2</sub> (K)	46.1
Imp. (K)	11.4
R <sub>Total</sub> (K)	102.2

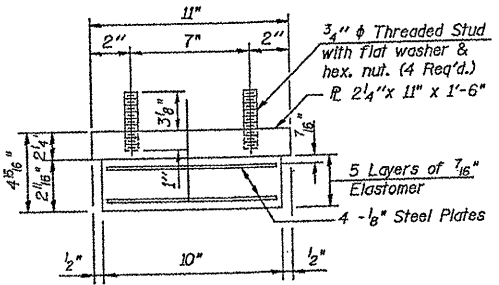


ELEVATION AT ABUT.



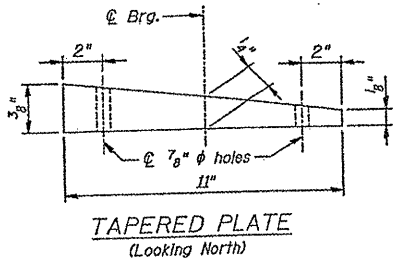
SECTION A-A

TYPE I ELASTOMERIC EXP. BRG. AT W. ABUT.  
GIRDERS 6 THRU 22

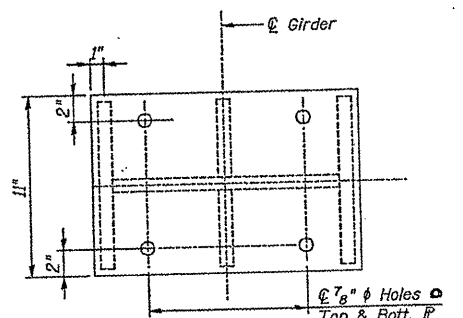


BEARING ASSEMBLY

Notes:  
Shim plates shall not be placed under Bearing Assembly.

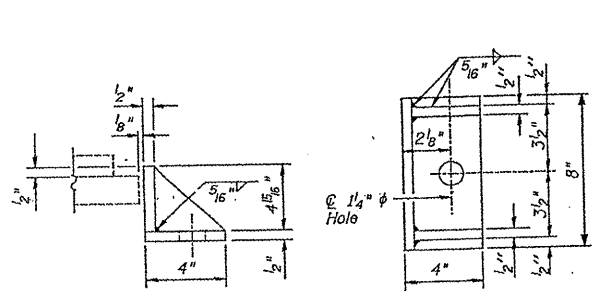


TAPERED PLATE  
(Looking North)

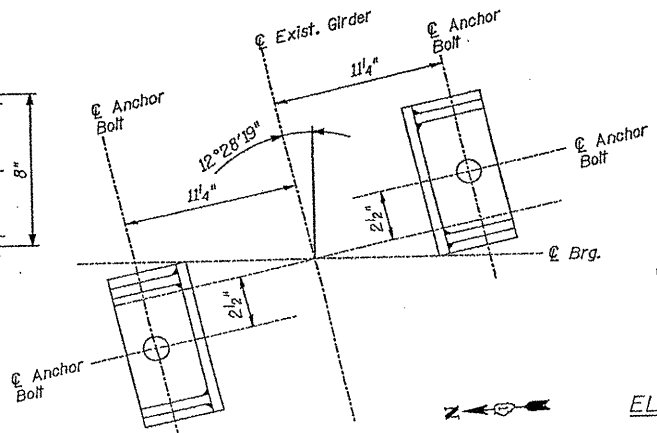


PLAN STEEL BEARING EXTENSION

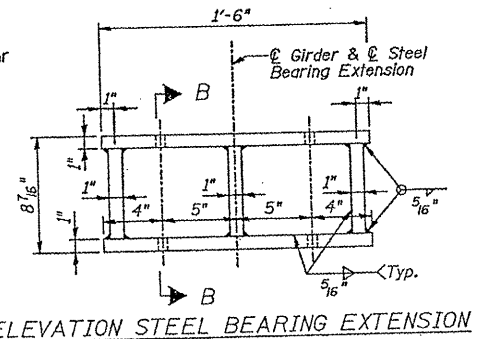
Notes:  
Anchor bolts shall be ASTM F1554 all-thread (or an Engineer-approved alternate material) of the grade(s) and diameter(s) specified. ASTM A307 Grade C anchor bolts may be used in lieu of ASTM F1554 Grade 36 (F<sub>y</sub>=36ksi). The corresponding specified grade of AASHTO M314 anchor bolts may be used in lieu of ASTM F1554.  
Drilled and set anchor bolts shall be installed according to Article 52.1.06 of the Standard Specifications.  
Steel bearing extensions, shim plates, and connection bolts are included with Furnishing and Erecting Structural Steel.  
Side retainers and other steel members required for the bearing assembly shall be included in the cost of Elastomeric Bearing Assembly, Type I.  
The structural steel plates of the Bearing Assembly and the Steel Bearing Extension shall conform to the requirements of AASHTO M 270 Grade 36.  
Two 1/8" adjusting shims shall be provided for each bearing in addition to all other plates or shims and placed as shown on the bearing details.  
All bearing plates, steel bearing extensions, side retainers, anchor bolts, nuts, and washers shall be galvanized according to AASHTO M111 or M232 (as applicable).  
Prior to ordering any material, the Contractor shall verify in the field all bearing height dimensions.  
Diaphragm removal and replacement may be required to facilitate drilling holes. Cost included with Furnishing and Erecting Structural Steel.



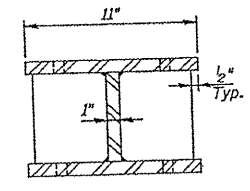
SIDE RETAINER  
Equivalent rolled angle with stiffeners will be allowed in lieu of welded plates.



OFFSET SIDE RETAINER PLAN



ELEVATION STEEL BEARING EXTENSION



SECTION B-B

STEEL BEARING EXTENSION

BILL OF MATERIAL

Item	Unit	Total
Furnishing and Erecting Structural Steel	Pound	3,880
Jack and Remove Existing Bearings	Each	17
Elastomeric Bearing Assembly, Type I	Each	17
Anchor Bolts, 1"	Each	34

ILLINOIS DEPARTMENT OF TRANSPORTATION  
**EXISTING BRIDGE PLAN**  
SN 049-0118  
(LOC. 2)