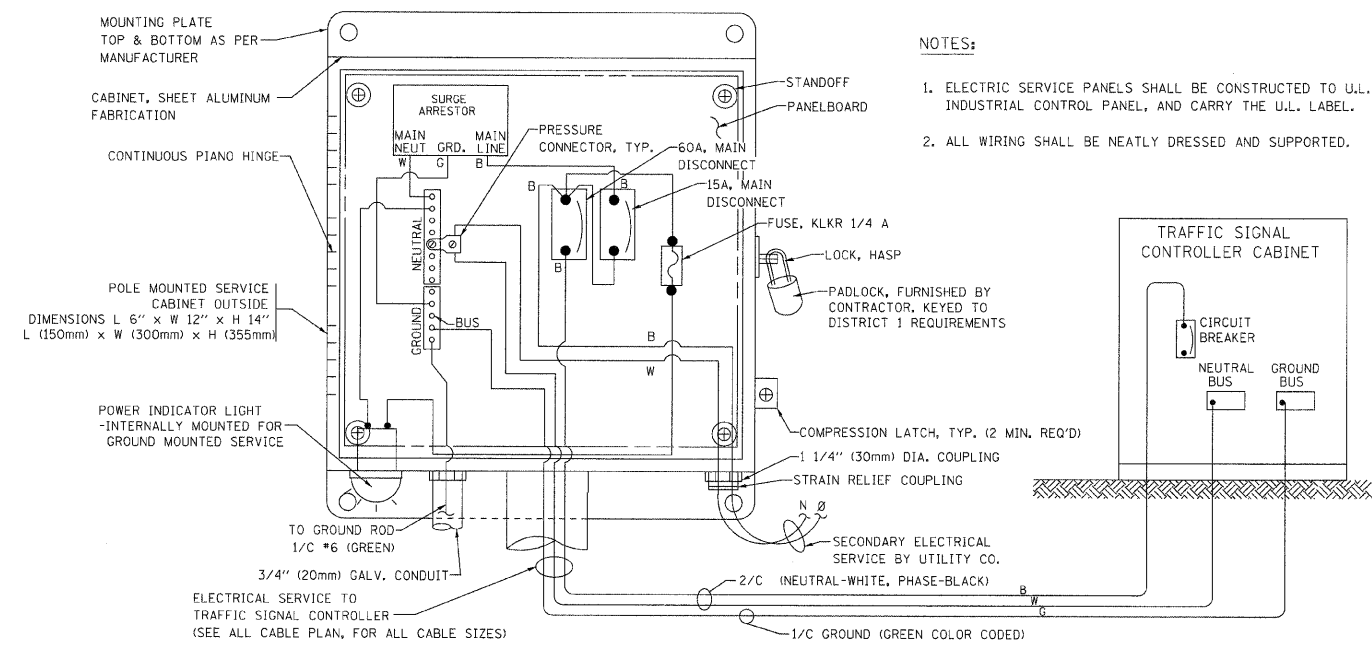
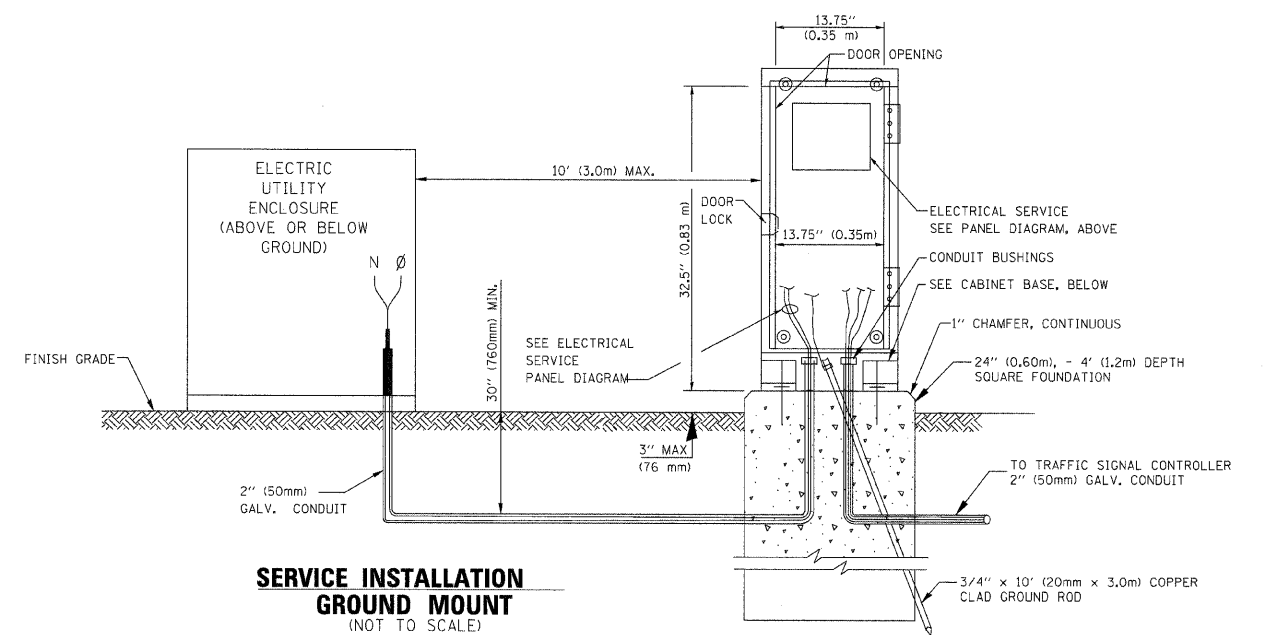


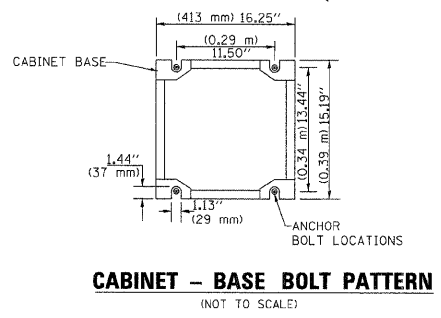
REGINA WEBSTER AND ASSOC. INC.
 CIVIL ENGINEERING CONSULTANTS
 6160 North Cicero Avenue, Suite 500
 Chicago, Illinois 60631-3869
RWA
 Regina Webster & Associates, Inc.



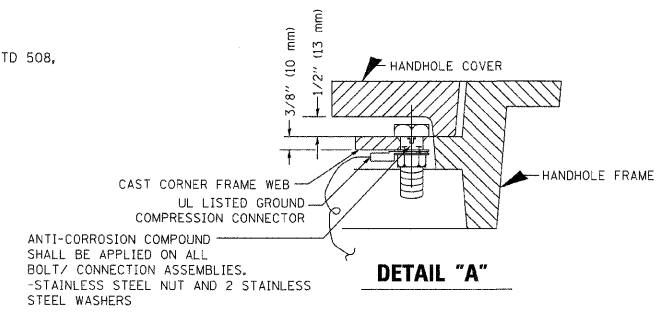
ELECTRICAL SERVICE - PANEL DIAGRAM (TYPICAL FOR POLE AND GROUND MOUNTED SERVICE)
SERVICE INSTALLATION POLE MOUNT (SHOWN)
 (NOT TO SCALE)



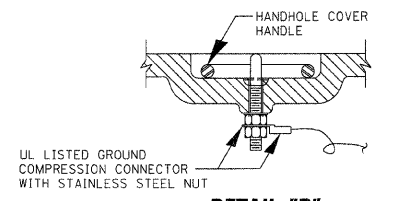
SERVICE INSTALLATION GROUND MOUNT
 (NOT TO SCALE)



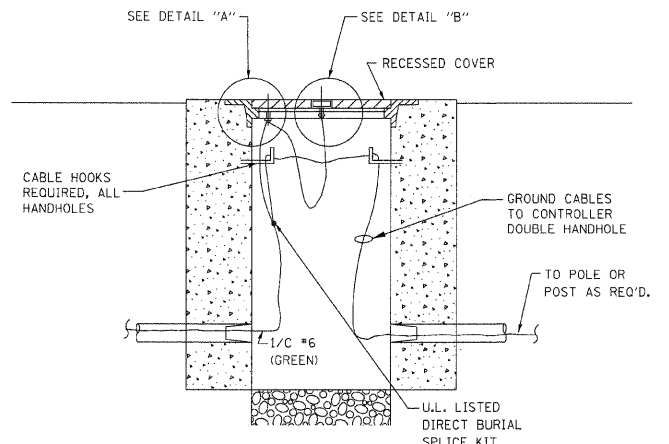
CABINET - BASE BOLT PATTERN
 (NOT TO SCALE)



DETAIL "A"

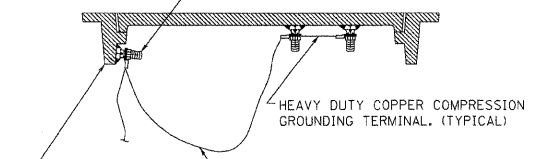


DETAIL "B"



HANDHOLE COVER & FRAME - GROUNDING DETAIL
 (NOT TO SCALE)

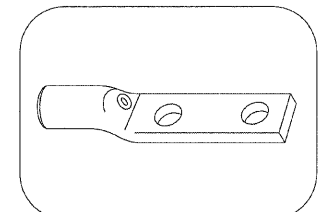
(2) 1/2" x 1 1/4" STAINLESS STEEL BOLT WITH SPLIT LOCK WASHER AND NYLON INSERT LOCKOUT WELDED TO FRAME AND TO COVER, (TYPICAL)



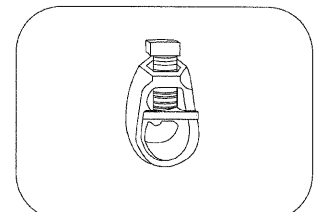
EXISTING HANDHOLE COVER & FRAME - GROUNDING DETAIL
 (NOT TO SCALE)

NOTES:
GROUNDING SYSTEM

- THE GROUNDING SYSTEM SHALL CONSIST OF AN INSULATED CONDUCTOR TYPE XLP, NO. 6 A.W.G., STRANDED COPPER TO BE INSTALLED IN RACEWAYS. THE GROUNDING CABLE SHALL BE INSTALLED IN A CONTINUOUS MANNER AS SHOWN ON THE CABLE PLAN PROVIDED. ALL GROUNDING CONDUCTORS SHALL BE BONDED TO METAL ENCLOSURE (HANDHOLE, POST, MAST ARM, CONTROLLER, ETC.). GROUND ROD SHALL BE 3/4" DIA. x 10'-0" (20mm x 3.0m) LONG, COPPER CLAD. ONE GROUND ROD SHALL BE INSTALLED AT ALL POST FOUNDATIONS, POLE FOUNDATIONS, CONTROLLER CABINET FOUNDATION AND ELECTRICAL SERVICE INSTALLATION AS INDICATED ON THE CABLE PLAN. IF THERE ARE ANY SPECIAL CONDITIONS SUCH AS SUB-SURFACE CONDITIONS OR INSTALLATION PROBLEMS, THE RESIDENT ENGINEER SHALL BE NOTIFIED OR CONTACT THE BUREAU OF TRAFFIC, ILLINOIS DEPARTMENT OF TRANSPORTATION DISTRICT ONE AT (847) 705-4139.
- THE NEUTRAL CONDUCTOR AND THE GROUND CONDUCTOR SHALL BE CONNECTED IN THE SERVICE INSTALLATION. AT NO OTHER POINT IN THE TRAFFIC SIGNAL SYSTEM SHALL THE NEUTRAL AND GROUND CONDUCTORS BE CONNECTED.
- ALL EQUIPMENT GROUNDING CONDUCTORS SHALL TERMINATE AT THE GROUND BUS IN THE CONTROLLER CABINET.
- THE CONTRACTOR SHALL PROVIDE A GROUND CABLE WITH CONNECTORS BETWEEN THE HANDHOLE COVER AND HANDHOLE FRAME.

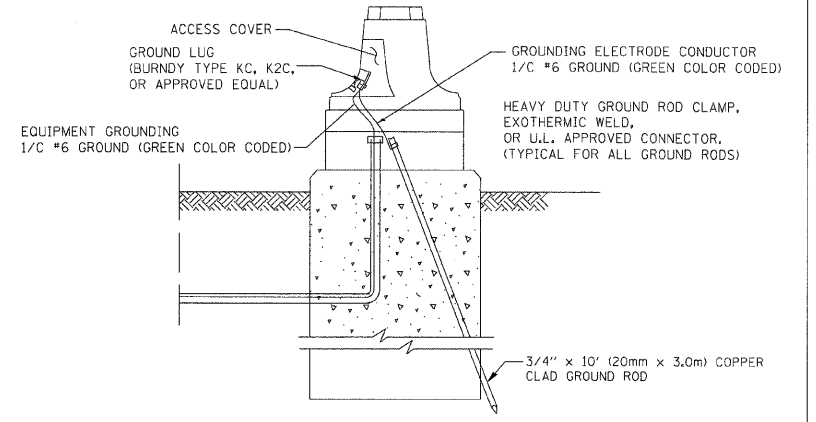


HEAVY-DUTY COMPRESSION TERMINAL (BURNDY TYPE YGHA OR APPROVED EQUAL)



3/4" (20mm) HEAVY-DUTY GROUND ROD CLAMP (BURNDY TYPE GRC OR APPROVED EQUAL)

- NOTES:**
- ALL CLAMPS SHALL BE BRONZE OR COPPER, UL APPROVED.
 - GROUND CABLE SHALL BE LOOPED OVER HOOKS IN THE HANDHOLES 6.5' (2.0m) SLACK SHALL BE PROVIDED IN SINGLE HANDHOLES 13' (4.0m) OF SLACK SHALL BE PROVIDED IN DOUBLE HANDHOLES. 5' (1.4m) OF SLACK SHALL BE PROVIDED BETWEEN FRAME AND COVER.



MAST ARM POLE /POST-GROUNDING DETAIL
 (NOT TO SCALE)

| REVISIONS | |
|-----------|------|
| NAME | DATE |
| | |
| | |
| | |
| | |
| | |
| | |
| | |
| | |
| | |

| | | | | |
|---|-------------|-----------------|--------------------|------------------|
| ILLINOIS DEPARTMENT OF TRANSPORTATION | | | | |
| DISTRICT 1 | | | | |
| STANDARD TRAFFIC SIGNAL | | | | |
| DESIGN DETAILS | | | | |
| SCALE: VERT. NONE | | DRAWN BY: RWP | | DESIGNED BY: DAD |
| HORIZ. DATE 1-01-02 | | CHECKED BY: DAZ | | |
| F.A.P. RTE. | SECTION | COUNTY | TOTAL SHEETS | SHEET NO. |
| VAR. | 2009-098 TS | WILL | 12 | 5 |
| FED. ROAD DIST. NO. [ILLINOIS] FED. AID PROJECT | | | CONTRACT NO. 60154 | |

| | | | |
|-------------|--------------------|-----------------|---------------|
| FILE NAME = | USER NAME = #USER# | DESIGNED - DW | REVISED - --- |
| #FILE# | | DRAWN - DW | REVISED - --- |
| | | CHECKED - JS | REVISED - --- |
| | | DATE - 09/01/09 | REVISED - --- |

STATE OF ILLINOIS
DEPARTMENT OF TRANSPORTATION

STANDARD TRAFFIC SIGNAL
DESIGN DETAILS - SHEET 3 OF 4

| | | |
|-------------|--------------------------|--------------------------|
| SCALE: NONE | SHEET NO. 5 OF 12 SHEETS | STA. _____ TO STA. _____ |
|-------------|--------------------------|--------------------------|