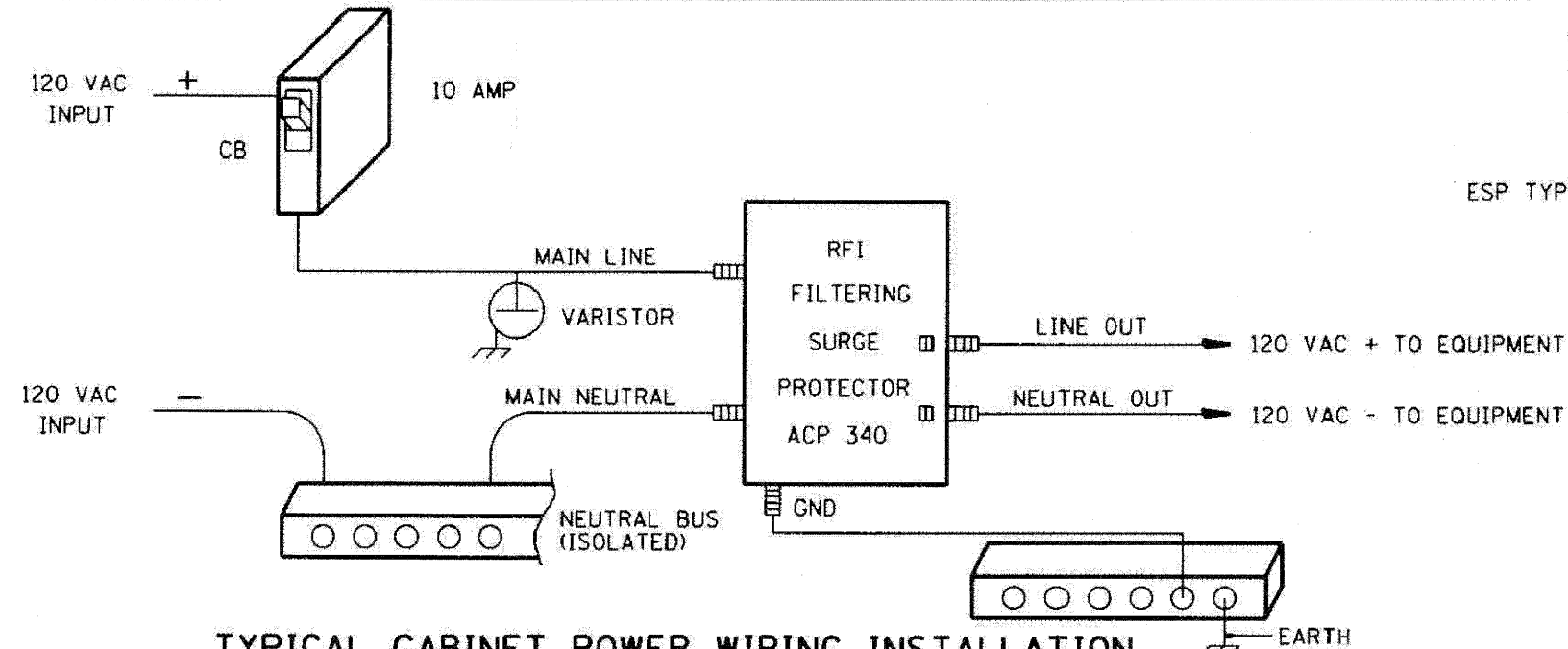
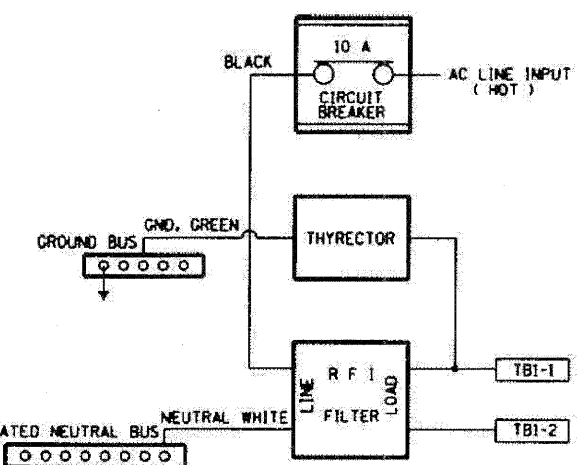
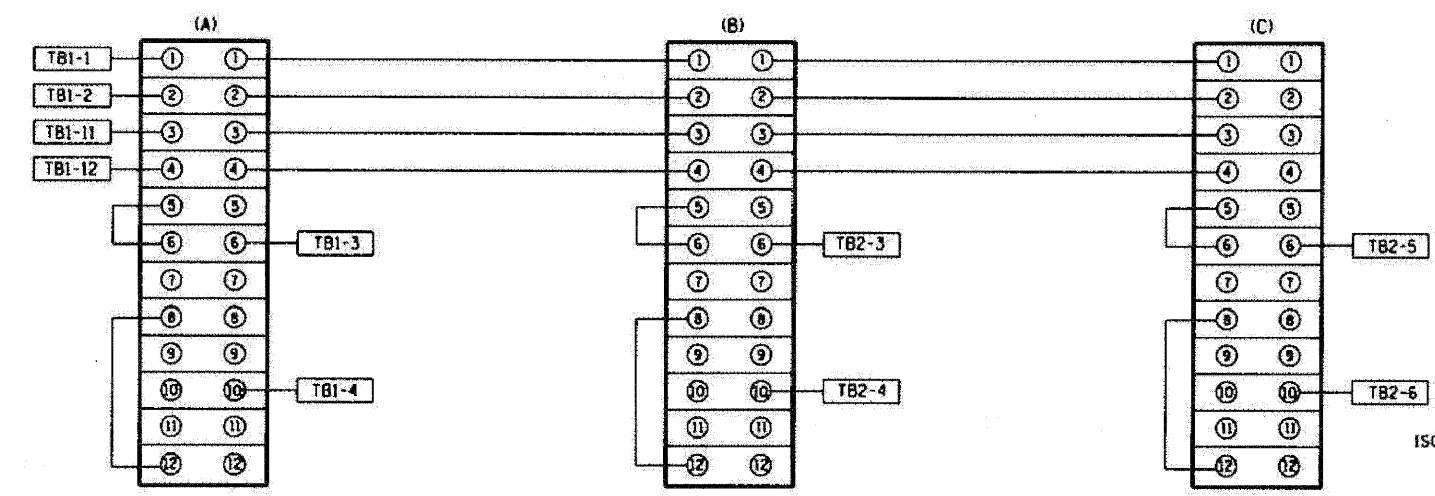


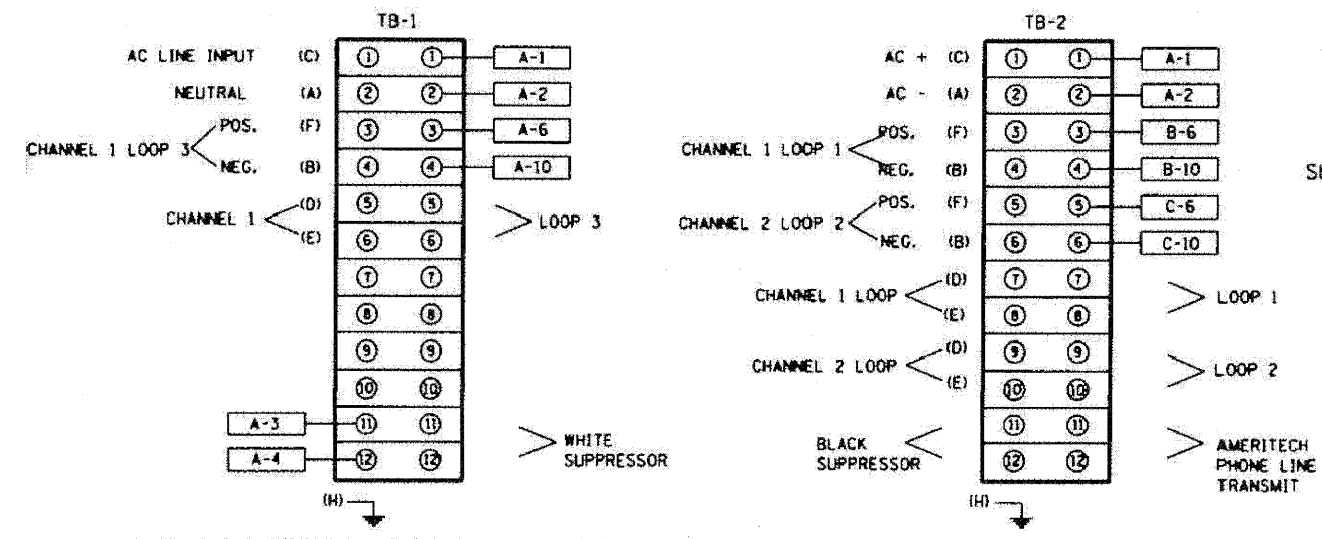
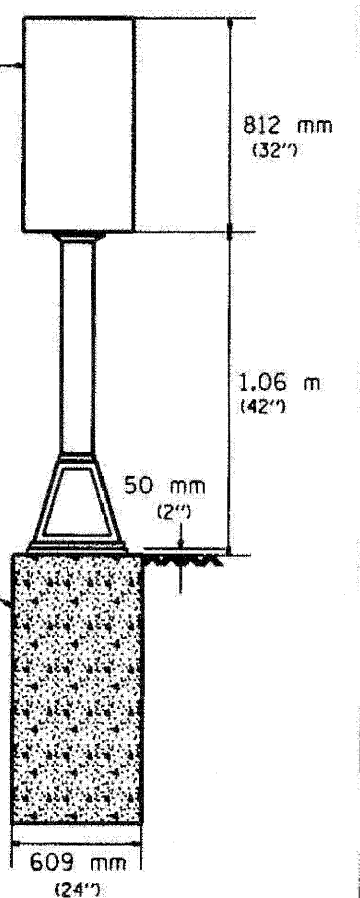
F.A. RTE.	SECTION	COUNTY	TOTAL SHEETS	SHEET NO.
STA.	TO STA.			
FED. ROAD DIST. NO.	ILLINOIS FED. AID PROJECT			



**TYPICAL CABINET POWER WIRING INSTALLATION**



**TYPE 2 CABINET INSTALLATION**



REVISIONS		ILLINOIS DEPARTMENT OF TRANSPORTATION TRAFFIC SYSTEMS CENTER
NAME	DATE	
T.C.	6/94	<b>TYPE II CABINET WIRING</b> SCALE: NONE DATE: 6-21-94 DRAWN BY: G.M. CHECKED BY: T.C.
R.L.	3/95	
R.L.	10/95	
T.C.	5/96	
R.L.	3/99	
R.L.	5/99	

**TRAFFIC SYSTEMS CENTER (TY-1TSC-400#5)**

FILE NAME =	DESIGNED - GHT	REVISED -
...Nrp1n_ABC_C4_TS_DET_84.dgn	DRAWN - TMB	REVISED -
USER NAME = jma_jevs	CHECKED - MPM	REVISED -
PLOT DATE = 11/13/2009	DATE - 10/16/09	REVISED -

**benesch**

**STATE OF ILLINOIS  
DEPARTMENT OF TRANSPORTATION**

**TRAFFIC SYSTEMS CENTER  
DETAIL SHEETS**

SCALE: N.T.S. SHEET NO. 4 OF 14 SHEETS STA. TO STA.

F.A.I. RTE.	SECTION	COUNTY	TOTAL SHEETS	SHEET NO.
290	2009-0998R	COOK/DUPAGE	309	283
FED. ROAD DIST. NO.	ILLINOIS FED. AID PROJECT			