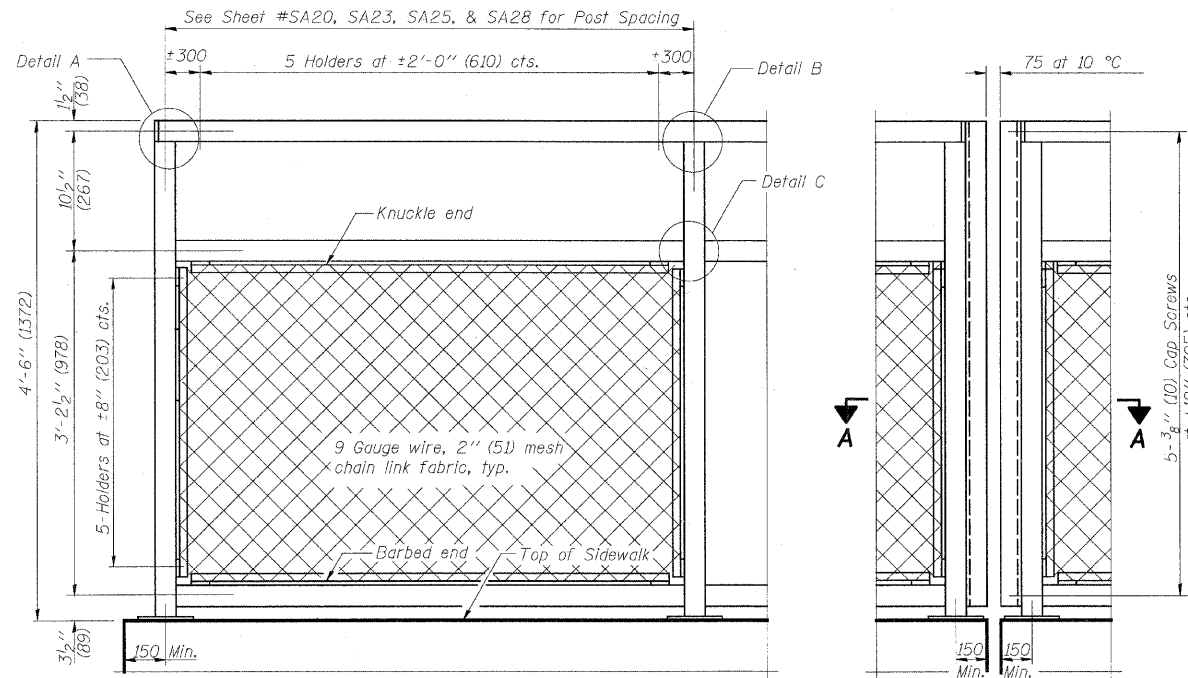


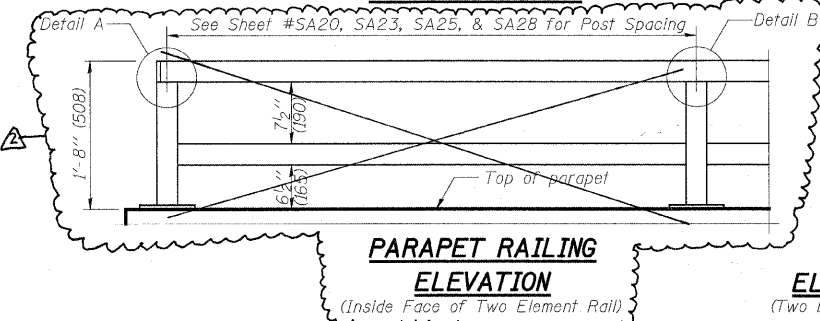
F.A.U. RTE.	SECTION	COUNTY	TOTAL SHEETS	SHEET NO.
3578	15V B-1-R-1	COOK	243	125
STA.		TO STA.		
FED. ROAD DIST. NO.		ILLINOIS FED. AID PROJECT		
CONTRACT NO. 62388				

Note: All steel rail elements shall be galvanized according to Article 509.05 of the Standard Specifications.



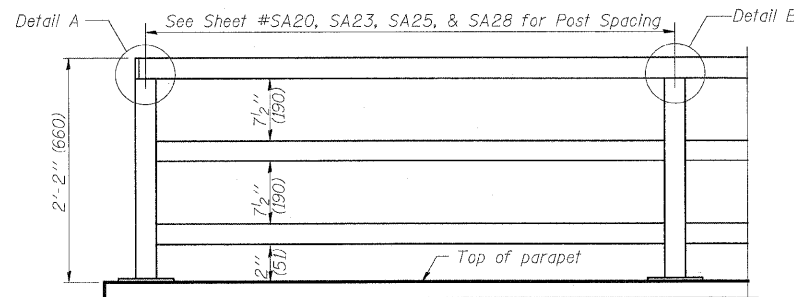
BICYCLE RAILING

BICYCLE RAILING

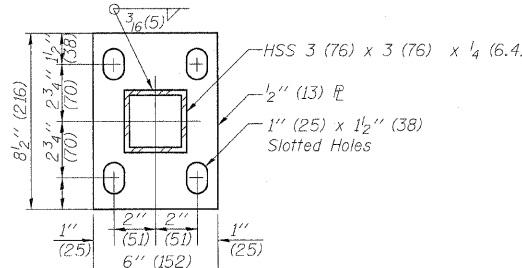


PARAPET RAILING ELEVATION
(Inside Face of Two Element Rail)

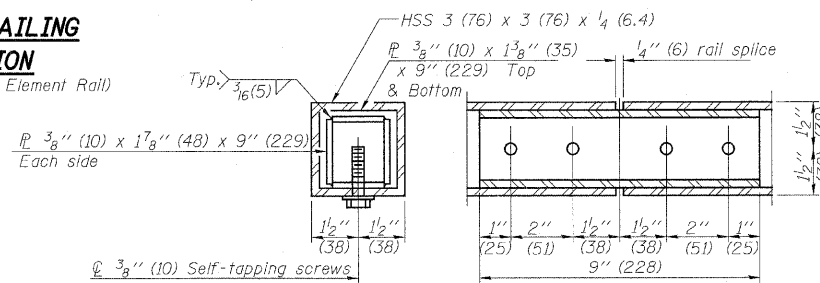
PARAPET RAILING ELEVATION AT EXPANSION JOINT
(Two Element Rail Shown - Three Element Rail Similar)



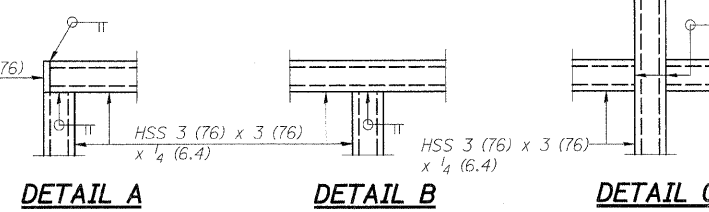
PARAPET RAILING ELEVATION
(Inside Face of Three Element Rail)



BASE P



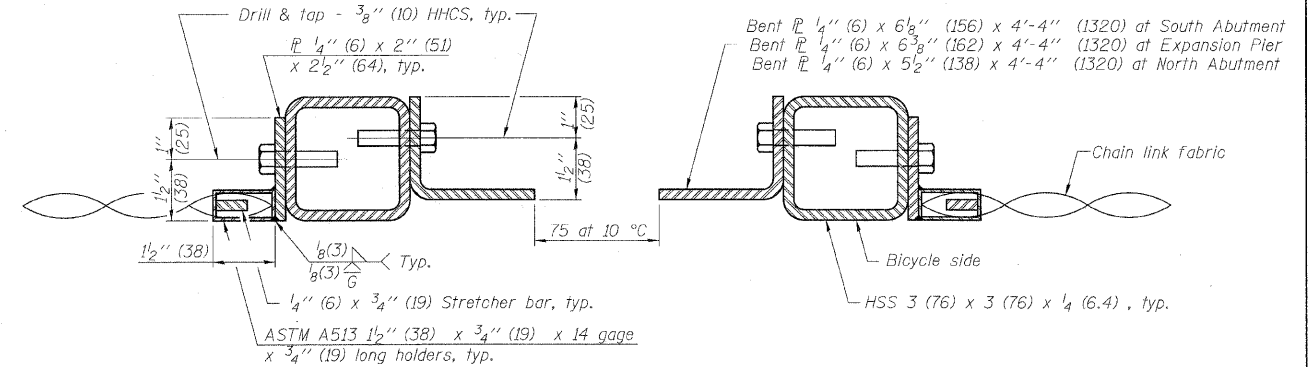
RAIL SPLICE



DETAIL A

DETAIL B

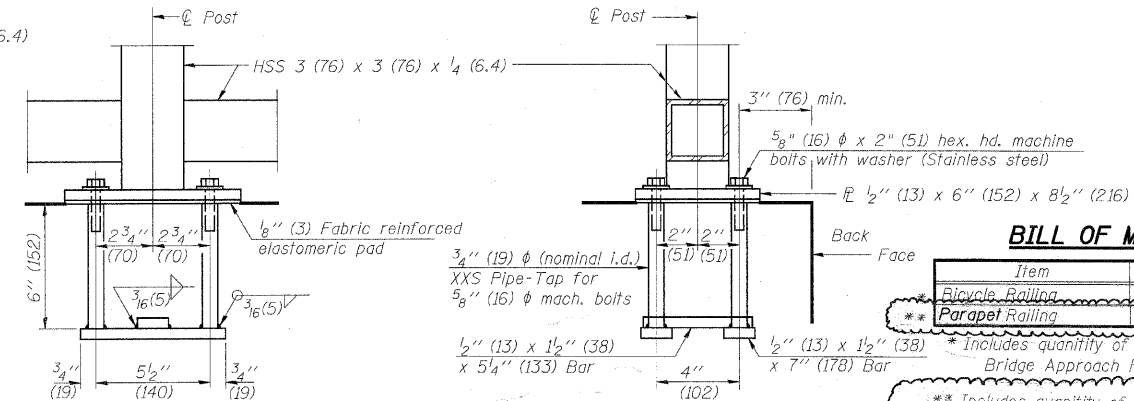
DETAIL C



SECTION A-A

SECTION THRU DECK

SECTION THRU SIDEWALK



ANCHOR BOLT DETAILS

In lieu of the cast-in-place anchor device shown, the Contractor has the option of drilling and setting 5/8" (16) phi anchor rods according to Article 509.06 of the Standard Specifications. Embedment shall be according to the manufacturer's specifications.

BILL OF MATERIAL

Item	Unit	Quantity
Bicycle Railing	m	417.6
Parapet Railing	m	417.6

** Includes quantity of Bicycle Railing on Bridge Approach Pavements

** Includes quantity of Parapet Railing on Bridge Approach Pavements

BICYCLE RAILING

REVISIONS	
NAME	DATE
RLD	01-04-10

ILLINOIS DEPARTMENT OF TRANSPORTATION
BICYCLE RAILING DETAILS I
 SOUTHWEST HIGHWAY OVER
 B&O RAILROAD AND STONY CREEK
 FAU 3578 SECTION 15V B-1-R-1
 STRUCTURE NUMBER 016-2771
 COOK COUNTY STATION 4+716.497
 SCALE: NONE DRAWN BY: E. Mroozek
 DATE: 6/17/09 CHECKED BY: A. Yargloogu

All dimensions are in millimeters (mm) except as noted.