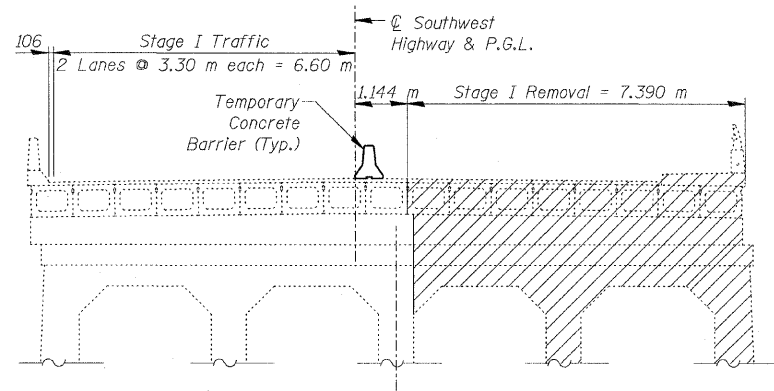
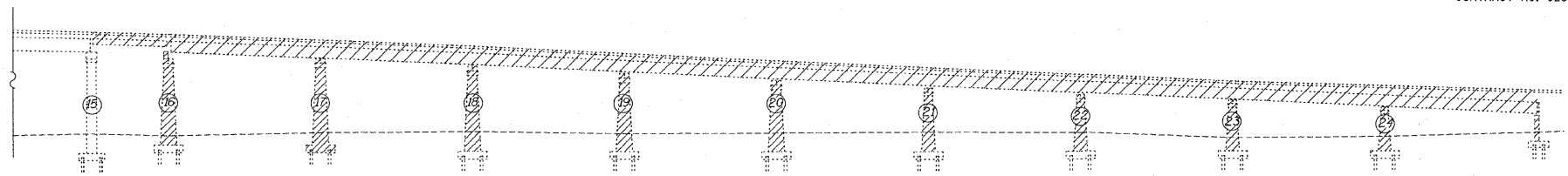


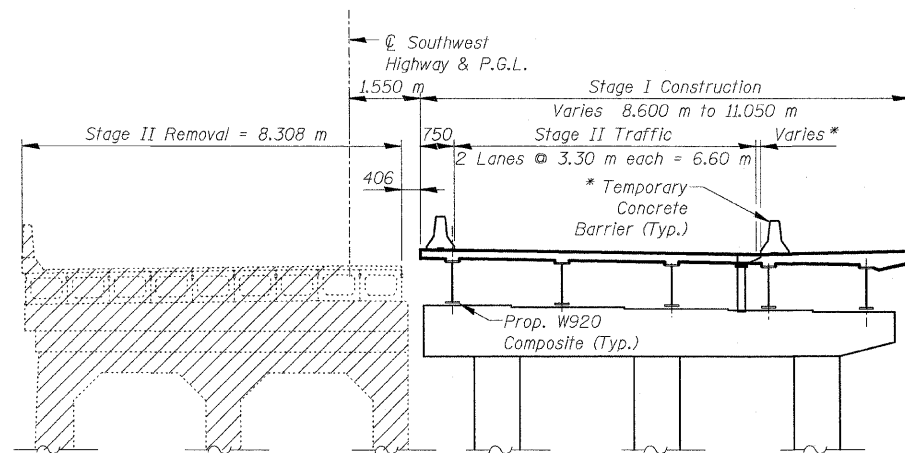
F.A.U. RTE.	SECTION	COUNTY	TOTAL SHEETS	SHEET NO.
3578	15V B-1-R-1	COOK	243	94
STA.		TO STA.		
FED. ROAD DIST. NO.		ILLINOIS	FED. AID PROJECT	
CONTRACT NO. 62388				



STAGE I REMOVAL

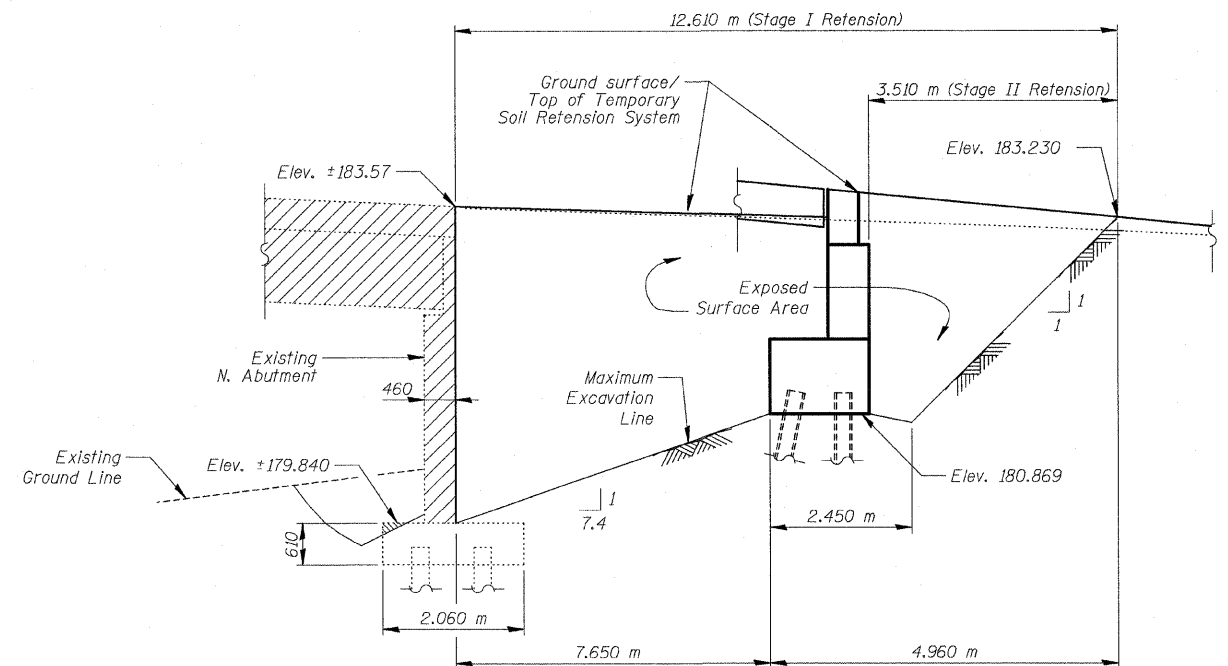


EXISTING STRUCTURE REMOVAL - ELEVATION



STAGE I CONSTRUCTION / STAGE II REMOVAL

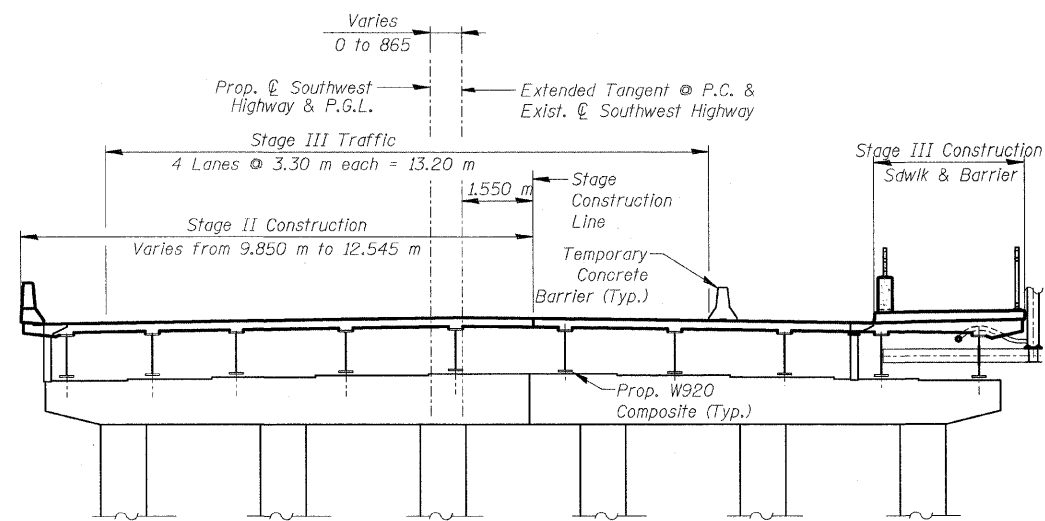
* Temporary Barrier shall not cover the scupper.



TEMPORARY SOIL RETENTION SYSTEM ELEVATION
(at North Abutment)

BILL OF MATERIAL

ITEM	UNIT	TOTAL
Temporary Soil Retention System	Sq. m	38.2



STAGE II CONSTRUCTION & STAGE III CONSTRUCTION

LEGEND:

- Structure Removal
- Existing Structure
- Proposed Structure

NOTES:

- All dimensions are in millimeters (mm) except as noted.
- Pedestrian Traffic shall be prohibited during all stages of construction.
- A cantilevered sheet piling design does not appear feasible and additional members or other retention systems may be necessary. The Contractor shall submit a temporary soil retention system design including plan details and calculations for review and acceptance by the Engineer.

REVISIONS	
NAME	DATE

ILLINOIS DEPARTMENT OF TRANSPORTATION
CONSTRUCTION STAGING & REMOVAL DETAILS - UNITS III & IV
SOUTHWEST HIGHWAY OVER B&O RAILROAD AND STONY CREEK
 FAU 3578 SECTION 15V B-1-R-1
 STRUCTURE NUMBER 016-2771
 COOK COUNTY STATION 4+716.497
 SCALE: NONE DRAWN BY: E. Mroozek
 DATE: 6/17/09 CHECKED BY: G. Hatlestad