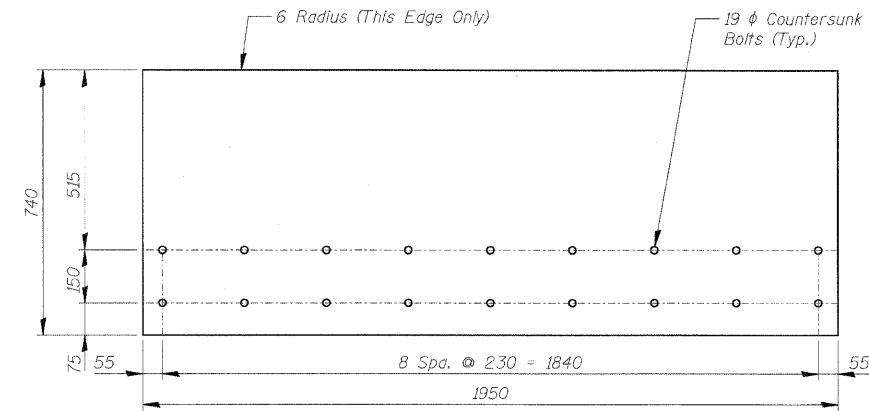
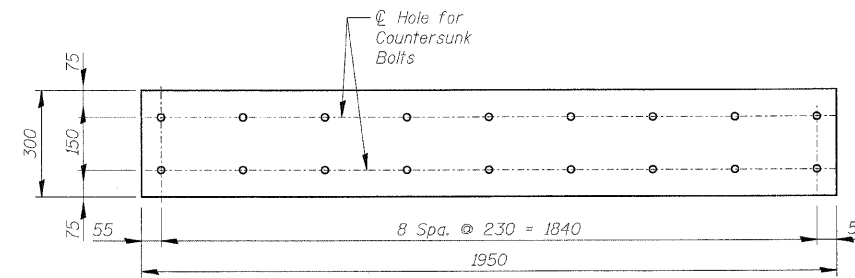


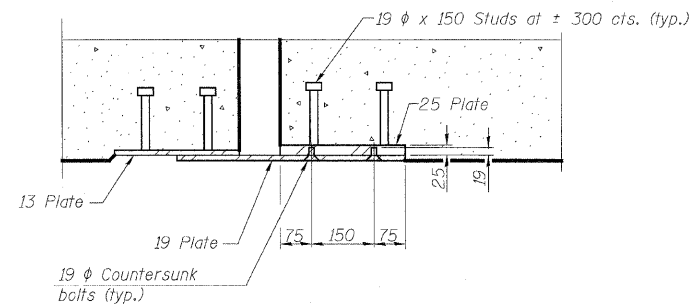
F.A.U. RTE.	SECTION	COUNTY	TOTAL SHEETS	SHEET NO.
3578	15V B-1-R-1	COOK	243	122
STA.		TO STA.		
FED. ROAD DIST. NO.		ILLINOIS	FED. AID PROJECT	
CONTRACT NO. 62388				



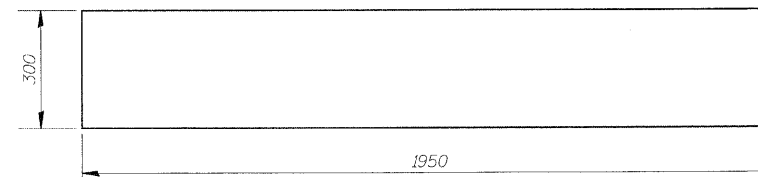
19 mm OUTER SIDEWALK SLIDING P



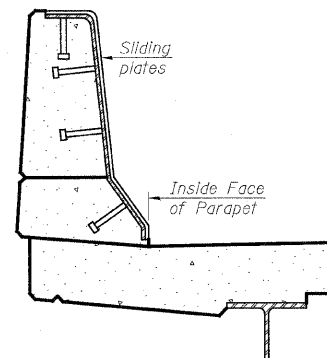
25 mm INNER SIDEWALK SLIDING P



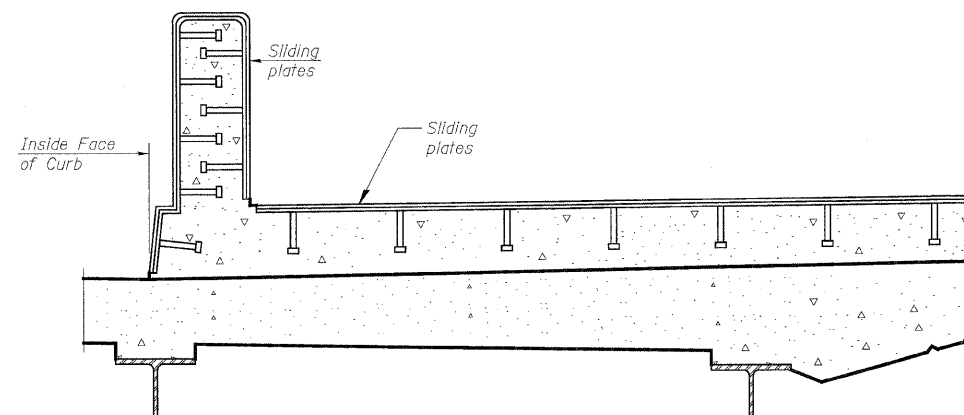
SECTION THRU SLIDING PLATES



13 mm INNER SIDEWALK SLIDING P
(Studs not shown)



SECTION THRU BARRIER



SECTION THRU SIDEWALK

REVISIONS	
NAME	DATE

ILLINOIS DEPARTMENT OF TRANSPORTATION
 MODULAR EXPANSION JOINT III
 SOUTHWEST HIGHWAY OVER
 B&O RAILROAD AND STONY CREEK
 FAU 3578 SECTION 15V B-1-R-1
 STRUCTURE NUMBER 016-2771
 COOK COUNTY STATION 4+716.497
 SCALE: NONE DRAWN BY: R. DiGiulio
 DATE: 6/17/09 CHECKED BY: A. Durbak

0:\NDOT\9556...AD\Drawings\STRUCT\303 exp joint.dgn
 tkoeppen(rdw)_lisle
 6/26/2009 1:43:41 AM

