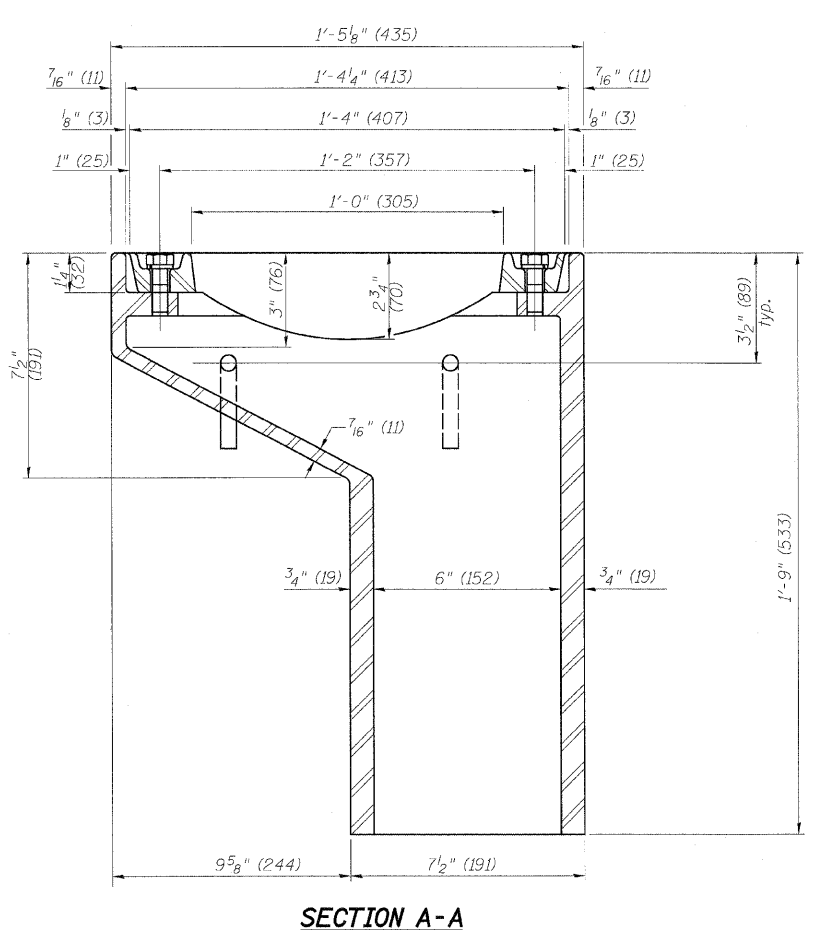
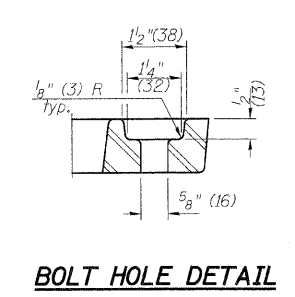
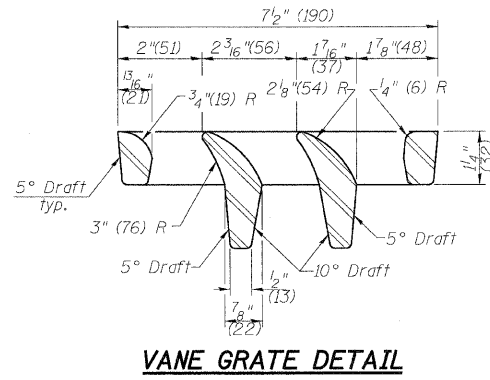
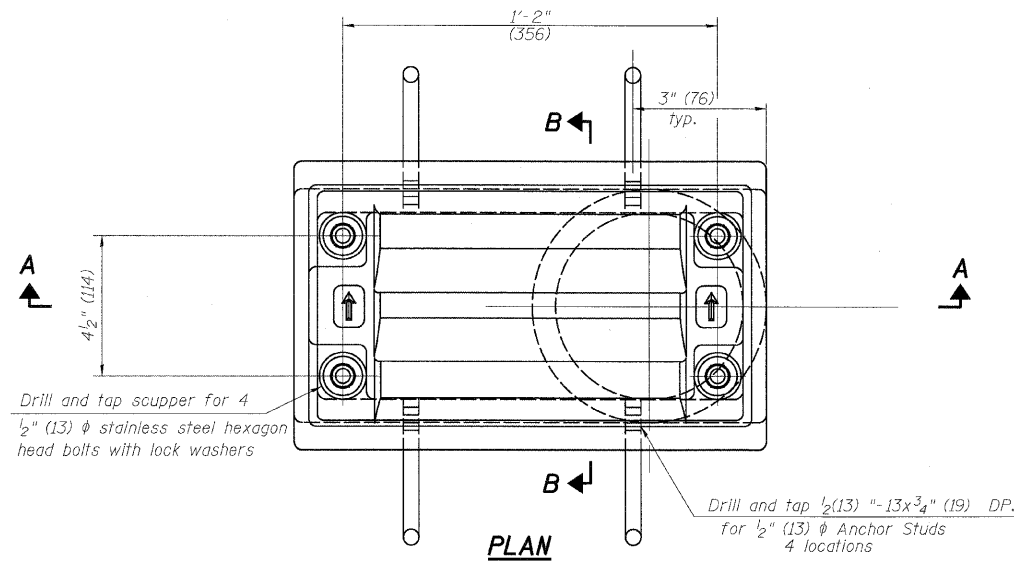
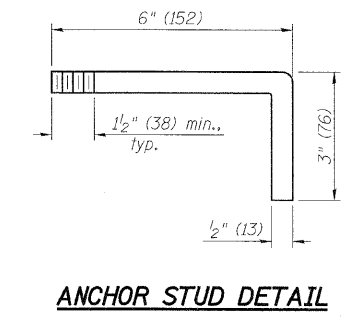
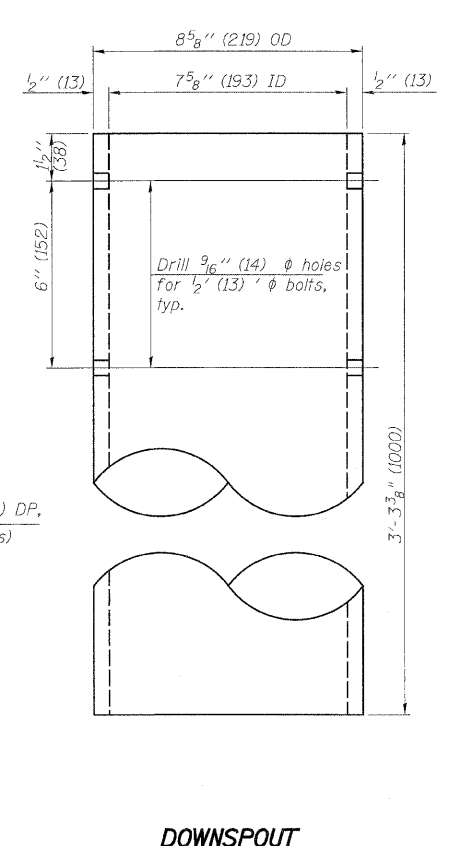
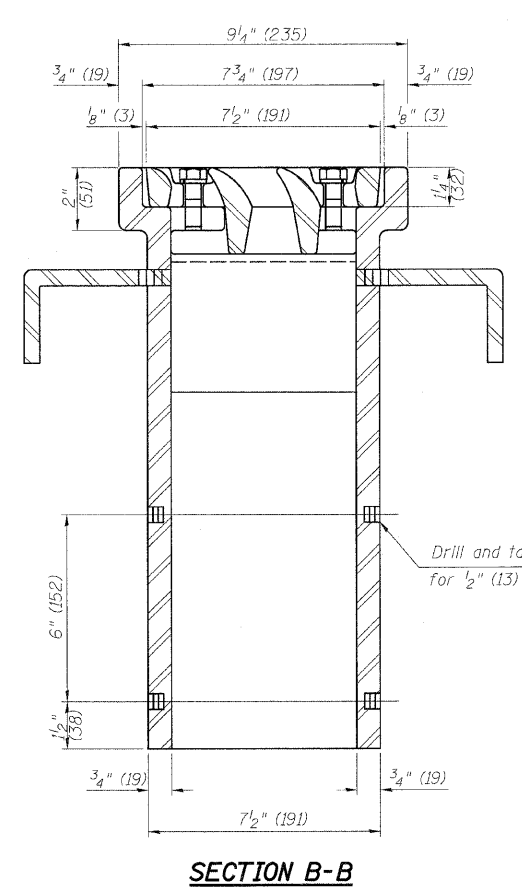


F.A.U. RTE.	SECTION	COUNTY	TOTAL SHEETS	SHEET NO.
3578	15V B-1-R-1	COOK	243	124
STA.		TO STA.		
FED. ROAD DIST. NO.		ILLINOIS FED. AID PROJECT		
CONTRACT NO. 62388				



See sheets SA19 thru SA 21 and SA24 thru SA29 of SA110 for scupper location relative to parapet.



BILL OF MATERIAL

ITEM	UNIT	QUANTITY
Drainage Scupper, DS-11	Each	34

**DRAINAGE SCUPPER, DS-11
STRUCTURE NO.**

REVISIONS		ILLINOIS DEPARTMENT OF TRANSPORTATION DRAINAGE SCUPPER DETAILS SOUTHWEST HIGHWAY OVER B&O RAILROAD AND STONY CREEK FAU 3578 SECTION 15V B-1-R-1 STRUCTURE NUMBER 016-2771 COOK COUNTY STATION 4+716.497
NAME	DATE	
		SCALE: NONE DATE: 6/17/09 DRAWN BY: R. DIGIULIO CHECKED BY:

All dimensions shown in parathesis (mm) are in mm, except as noted.

O:\VDDT\9556_A0\Drawings\STRUCT\31\drainage_scupper.dgn
 +Koenpen(Rdw)_Lisle
 6/26/2009 10:43:53 AM
PATRICK ENGINEERING INC.
 LISLE, ILLINOIS

DS-11 10-1-08