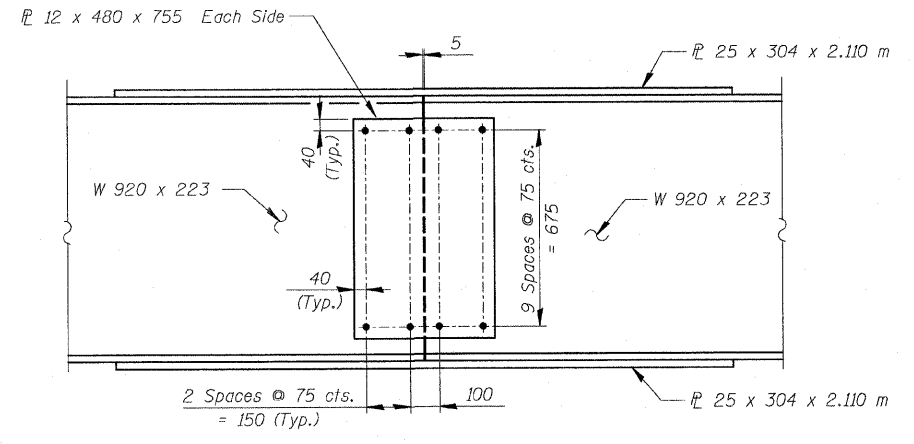
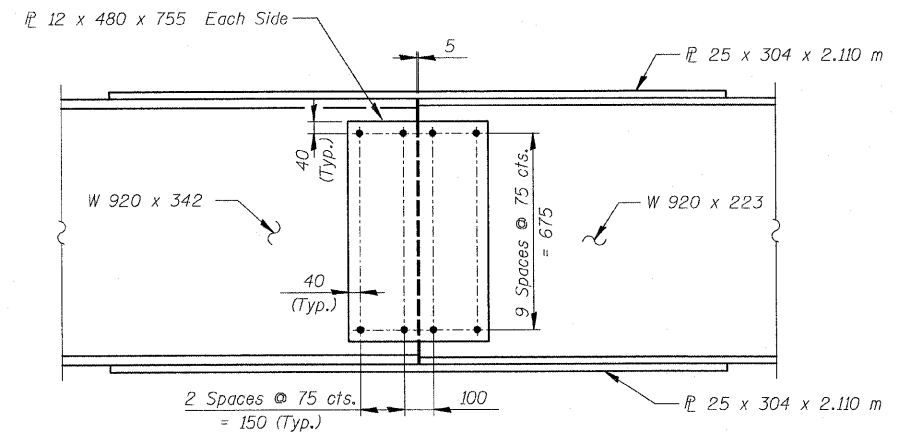
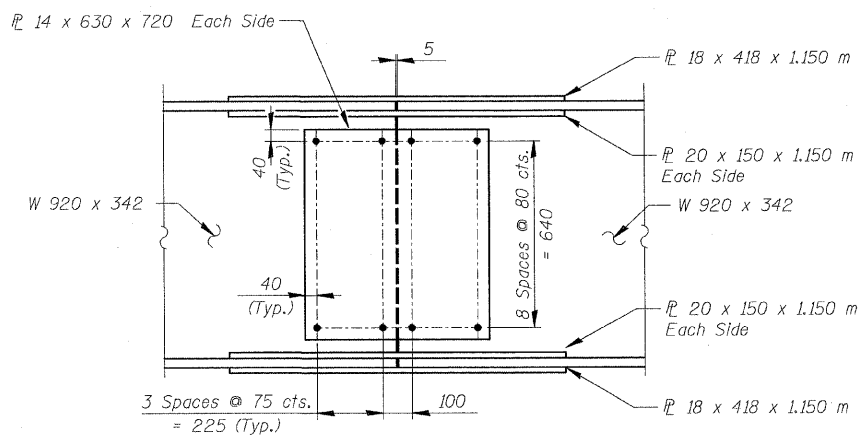
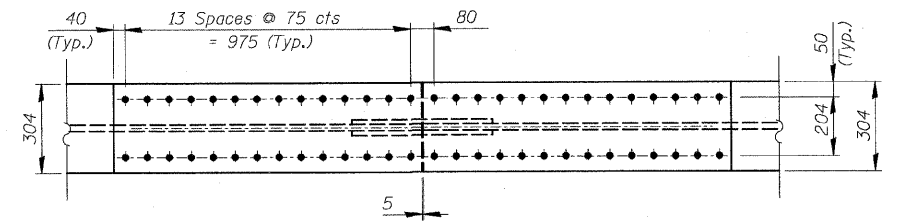
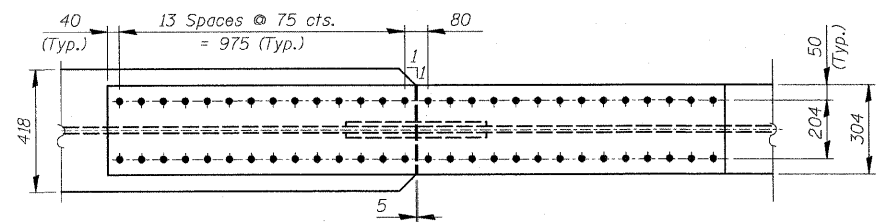
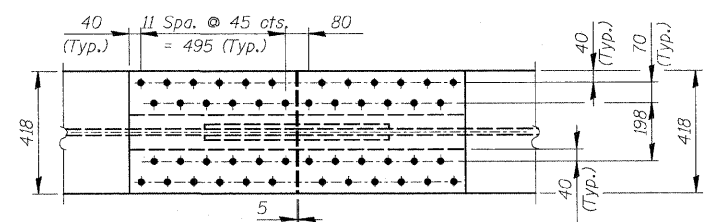
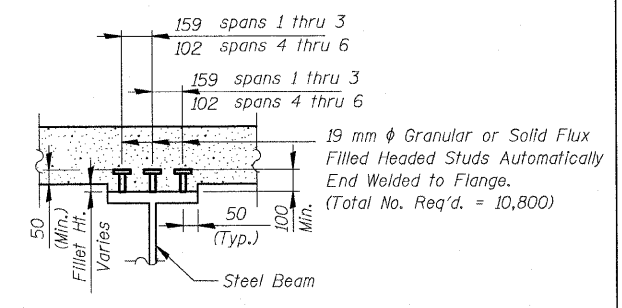
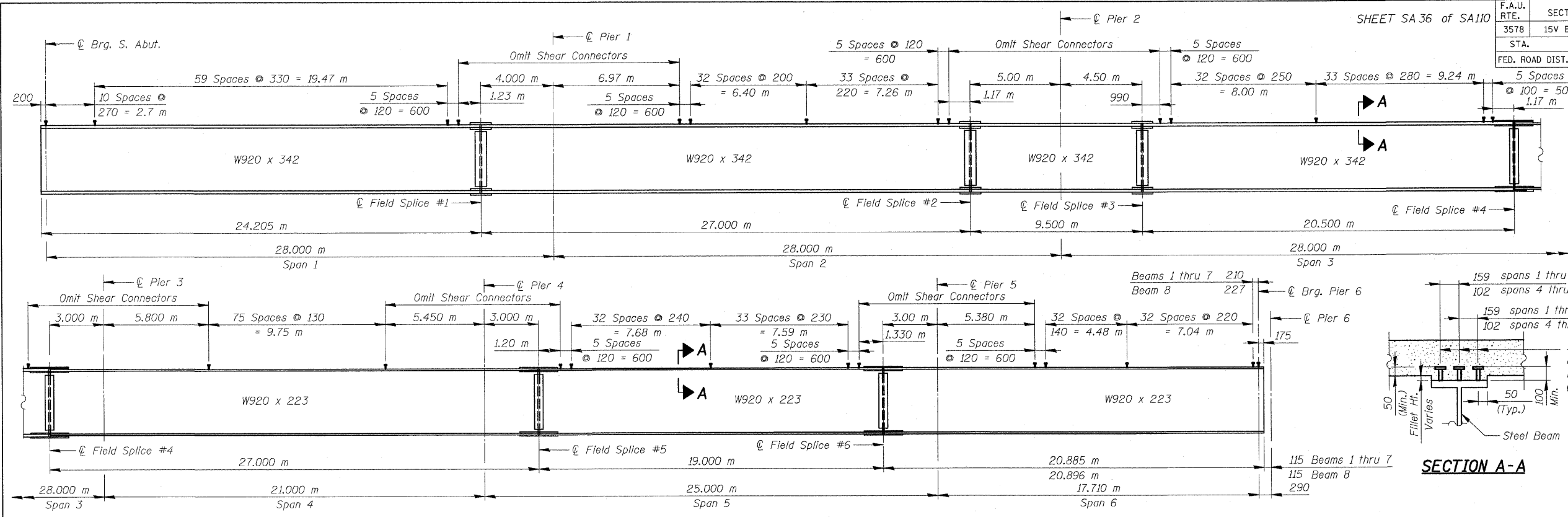


F.A.U. RTE. 3578	SECTION 15V B-1-R-1	COUNTY COOK	TOTAL SHEETS 243	SHEET NO. 131
STA. FED. ROAD DIST. NO.		TO STA. ILLINOIS FED. AID PROJECT CONTRACT NO. 62388		



**NOTES**

- For Top of Beam Elevations, Table of Moments and Reactions see Sheet SA33.
- All Wide Flange Beams and Splice Plate Material, except Fill Plates, shall be AASHTO M270 M Grade 345 and shall meet Notch Toughness Requirements.
- All dimensions are in millimeters (mm) except as noted.

Fixed Bearings and Structural Steel are provided in a separate Fabrication Contract. Cost for erecting these items is included in this contract as Erecting Structural Steel.

REVISIONS	
NAME	DATE

ILLINOIS DEPARTMENT OF TRANSPORTATION

**BEAM DETAILS - UNIT I**

SOUTHWEST HIGHWAY OVER  
B&O RAILROAD AND STONY CREEK

FAU 3578 SECTION 15V B-1-R-1  
STRUCTURE NUMBER 016-2771  
COOK COUNTY STATION 4+716.497

SCALE: NONE DRAWN BY: M. Tryon  
DATE: 6/17/09 CHECKED BY: G. Hatlestad