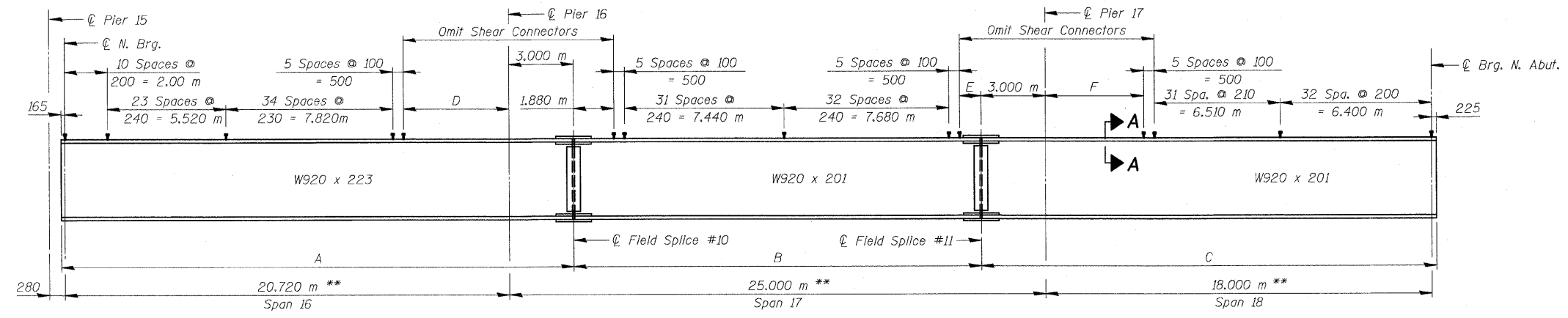


F.A.U. RTE.	SECTION	COUNTY	TOTAL SHEETS	SHEET NO.
3578	15V B-1-R-1	COOK	243	133
STA.		TO STA.		
FED. ROAD DIST. NO.		ILLINOIS	FED. AID PROJECT	
CONTRACT NO. 62388				



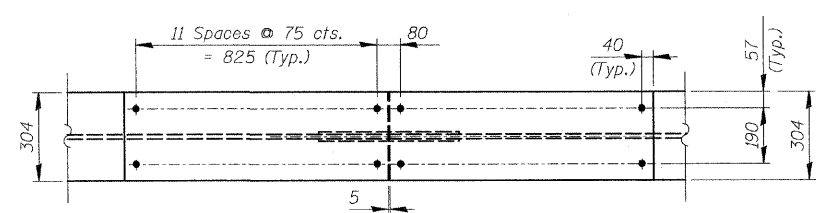
** Measured along Local Tangent at Sta. 4+873.086

BEAM ELEVATION

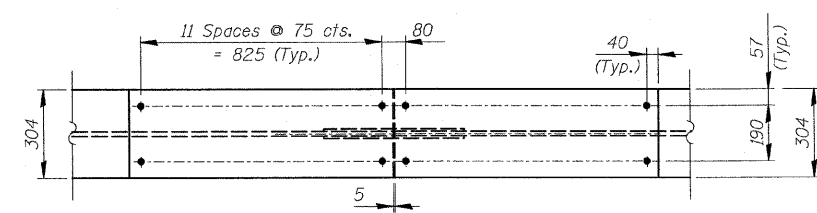
BEAM DIMENSIONS (in meters)

BEAM	A*	B*	C*	D*	E*	F*
D1	23.886	19.003	21.233	4.881	1.003	4.598
D2 thru D9	23.885	19.000	21.225	4.880	1.000	4.590
D10	23.885	19.003	21.233	4.880	1.003	4.598

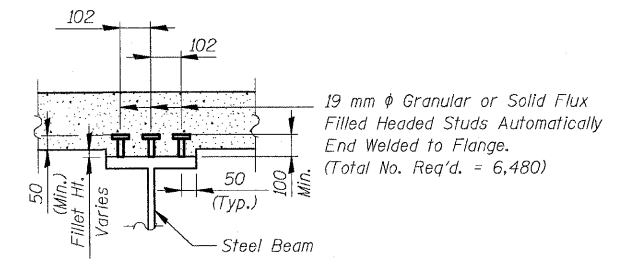
* Measured along \bar{C} Beam



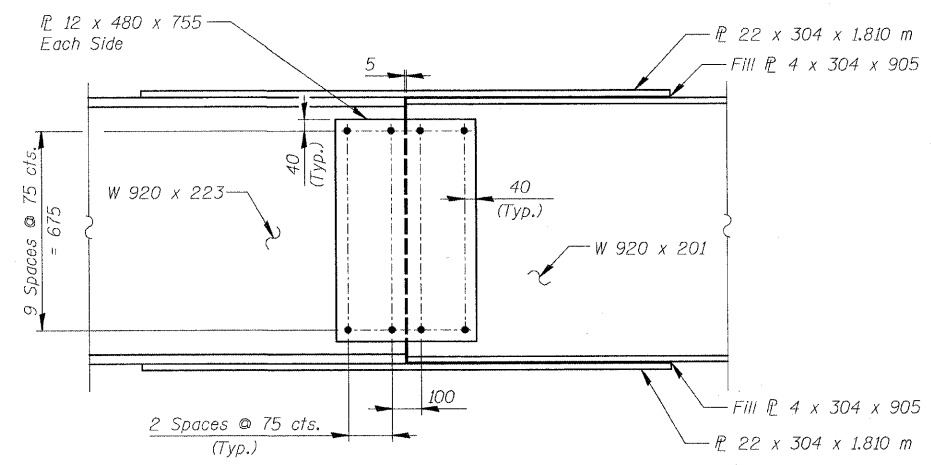
TOP PLAN
(Bottom Splice is Identical)



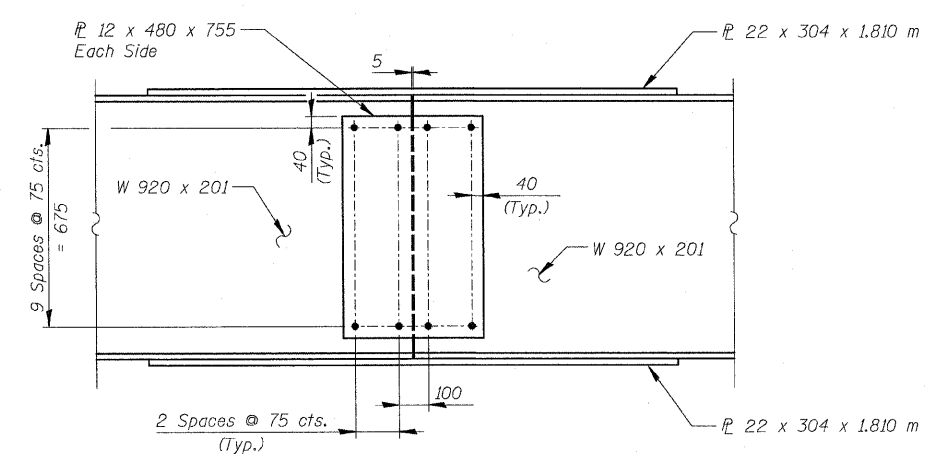
TOP PLAN
(Bottom Splice is Identical)



SECTION A-A



ELEVATION
FIELD SPLICE #10



ELEVATION
FIELD SPLICE #11

Fixed Bearings and Structural Steel are provided in a separate Fabrication Contract. Cost for erecting these items is included in this contract as Erecting Structural Steel.

NOTES:

- For Top of Beam Elevations, Table of Moments and Reactions see Sheet SA35.
- All Wide Flange Beams and Splice Plate Material, except Filler Plates, shall be AASHTO M270 M Grade 345 and shall meet Notch Toughness Requirements.
- All dimensions are in millimeters (mm) except as noted.

REVISIONS	
NAME	DATE

ILLINOIS DEPARTMENT OF TRANSPORTATION
BEAM DETAILS - UNIT IV
 SOUTHWEST HIGHWAY OVER
 B&O RAILROAD AND STONY CREEK
 FAU 3578 SECTION 15V B-1-R-1
 STRUCTURE NUMBER 016-2771
 COOK COUNTY STATION 4+716.497
 SCALE: NONE DRAWN BY: E. Mroozek
 DATE: 6/17/09 CHECKED BY: A. Yargiooglu

\$FILES\$
 \$TIME\$
 \$USER\$
 \$DATE\$

