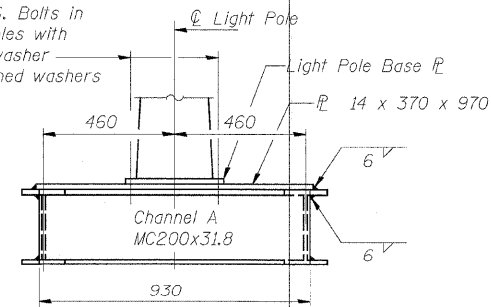
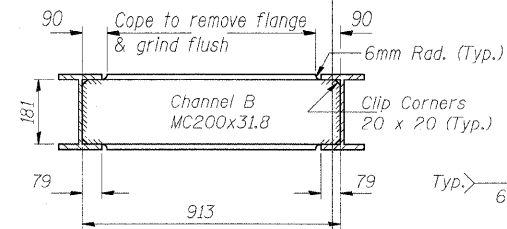


F.A.U. RTE.	SECTION	COUNTY	TOTAL SHEETS	SHEET NO.
3578	15V B-1-R-1	COOK	243	134
STA.		TO STA.		
FED. ROAD DIST. NO.		ILLINOIS FED. AID PROJECT		
CONTRACT NO. 62388				

** \varnothing M24 H.S. Bolts in 30mm \varnothing Holes with 1 beveled washer & 2 hardened washers per bolt.



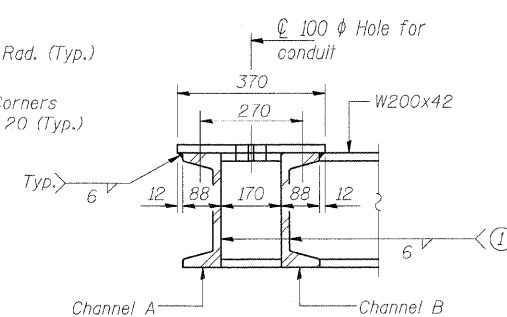
VIEW A-A



VIEW B-B

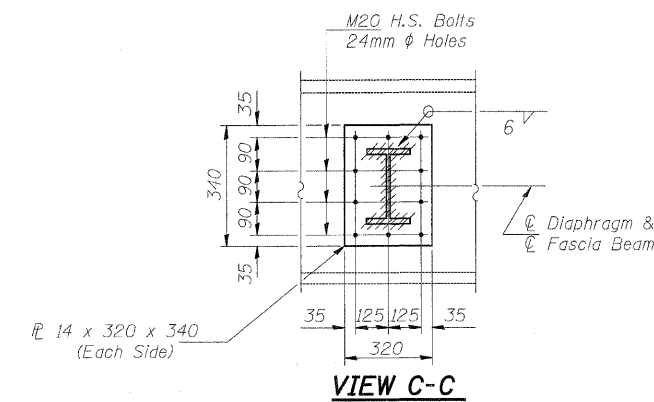
** If pole base has larger holes, provide bushings and plate washers to cover.

① Weld Channels A & B to web and inside faces of flange of diaphragms one side only.

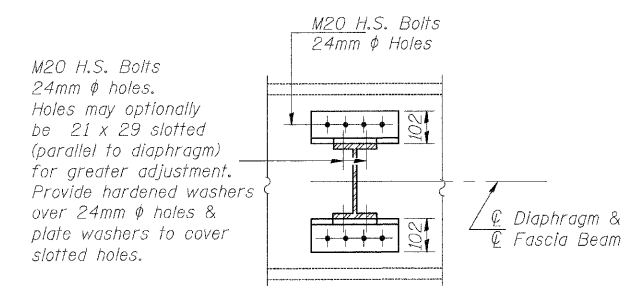


SECTION D-D

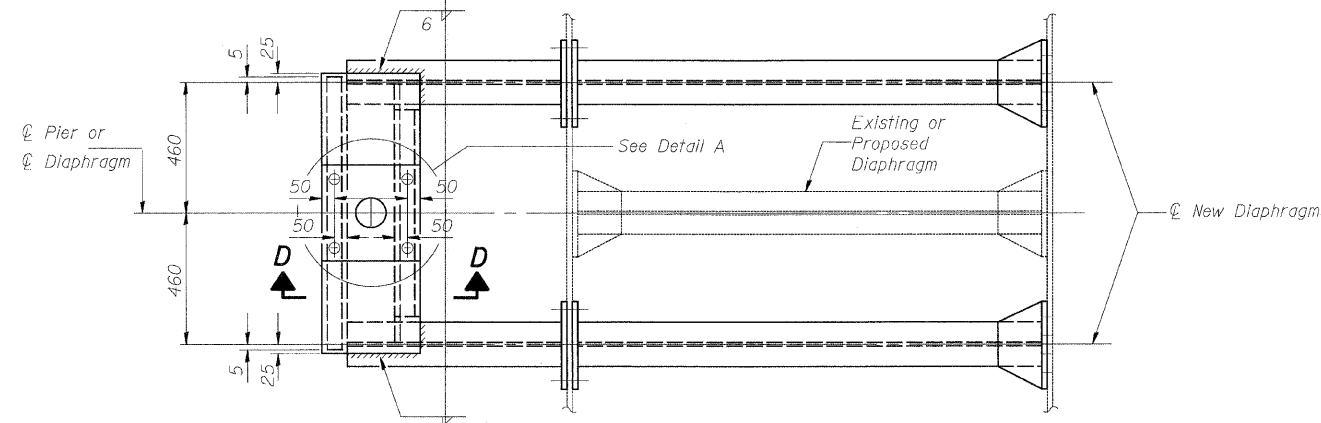
(Light Pole Base \varnothing Omitted)



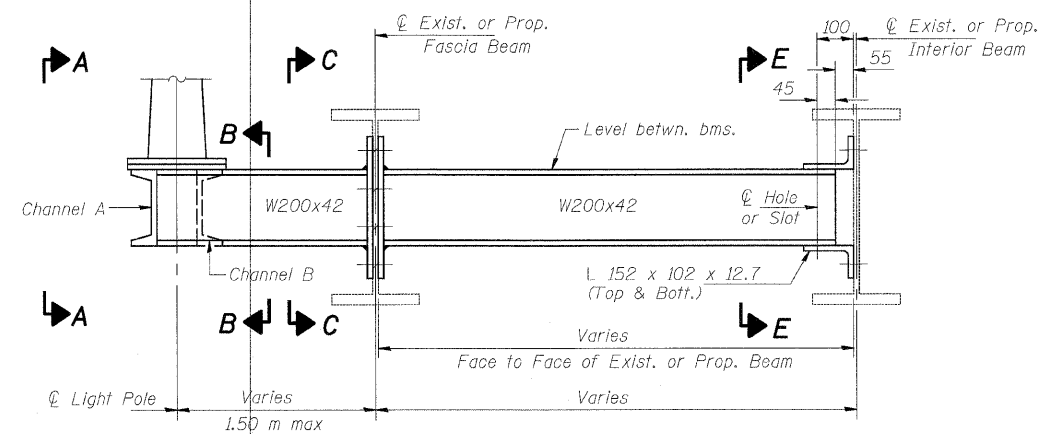
VIEW C-C



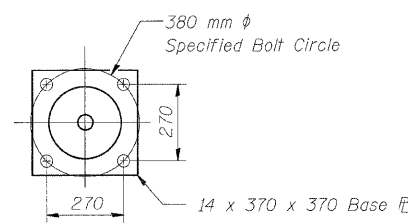
VIEW E-E



PLAN



ELEVATION



DETAIL A

NOTES

- All dimensions are in millimeters (mm) except as noted.
- For mounting to existing structures, burrs, shavings, loose paint and scale and other non adherent material in the contract areas shall be removed before field bolting.
- All new structural steel shall be hot dip galvanized per AASHTO M11 after fabrication. Bolts shall be hot dip galvanized per AASHTO M232.
- Cost of erecting lighting support is included with Erecting Structural Steel.
- Cost of furnishing lighting support is included with Furnishing Structural Steel.

NOT INCLUDED IN THIS CONTRACT

REVISIONS	
NAME	DATE

ILLINOIS DEPARTMENT OF TRANSPORTATION
LIGHTING SUPPORT BRACKET DETAILS
SOUTHWEST HIGHWAY OVER
B&O RAILROAD AND STONY CREEK
 FAU 3578 SECTION 15V B-1-R-1
 STRUCTURE NUMBER 016-2771
 COOK COUNTY STATION 4+716.497
 SCALE: NONE DRAWN BY: E. Mroozek
 DATE: 6/17/09 CHECKED BY: A. Yargloogu

C:\ND01\9556_A0\Drawings\STRUCT\39_Lighting_Support.dgn
 6/26/2009 8:20:07 AM
 koeppen(Rawy_Lise)

