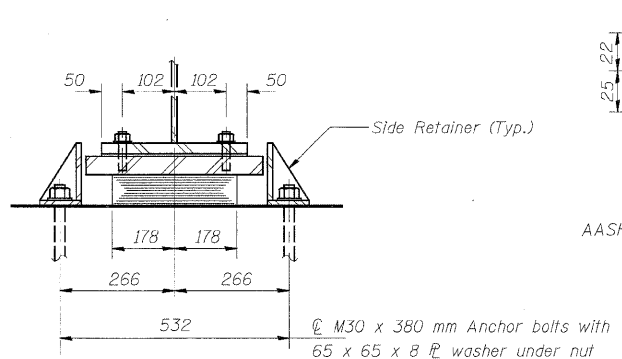
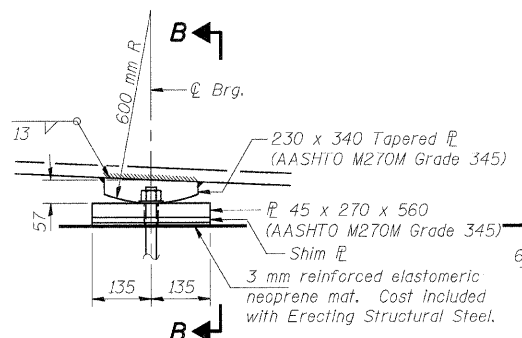
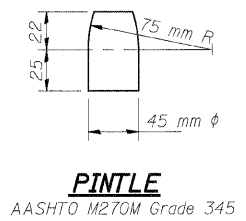


**BEARING ASSEMBLY AT PIER 15**  
(UNIT IV)

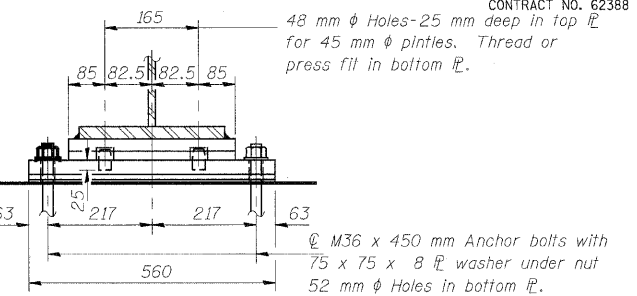
Notes: Shim plates shall not be placed under Bearing Assembly.  
 See Sheet SA44 for Elevation at Pier 15.



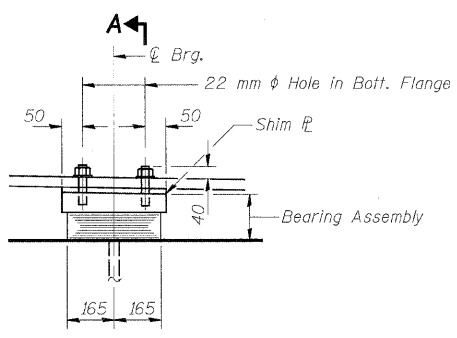
**SECTION C-C**  
PIER 15 (UNIT IV)



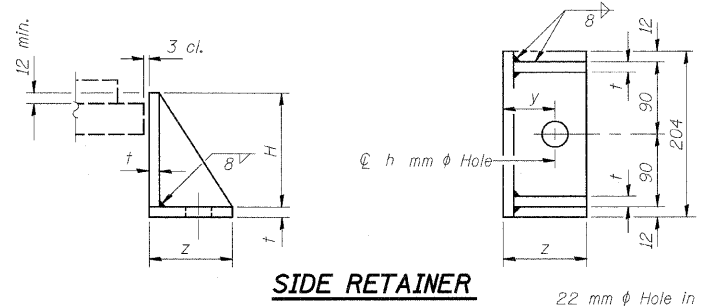
**ELEVATION AT PIER 16**  
\* **FIXED BEARING**



**SECTION B-B**

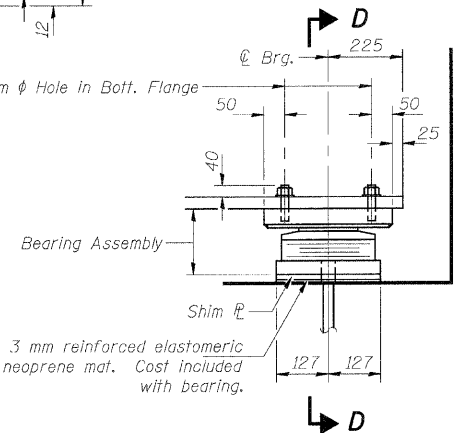


**ELEVATION AT PIER 17**  
TYPE I ELASTOMERIC EXP. BRG.

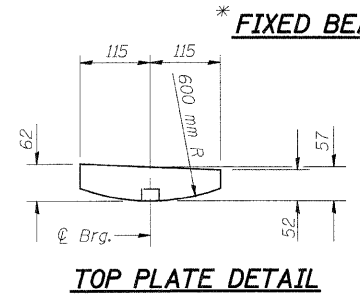


**SIDE RETAINER**

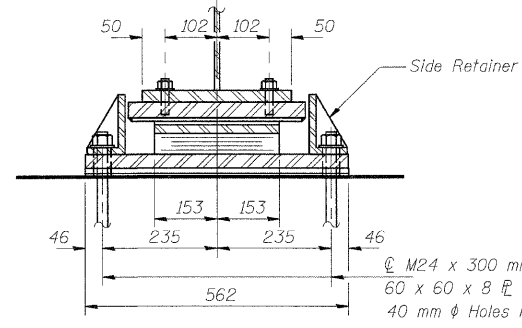
|   | PIER 15 | PIER 17 | N.ABUT. |
|---|---------|---------|---------|
| y | 60      | 70      | 54      |
| z | 120     | 140     | 100     |
| t | 14      | 16      | 14      |
| h | 38      | 44      | 30      |
| H | 125     | 155     | 140     |



**ELEVATION AT NORTH ABUT.**  
TYPE II ELASTOMERIC EXP. BRG.



**TOP PLATE DETAIL**

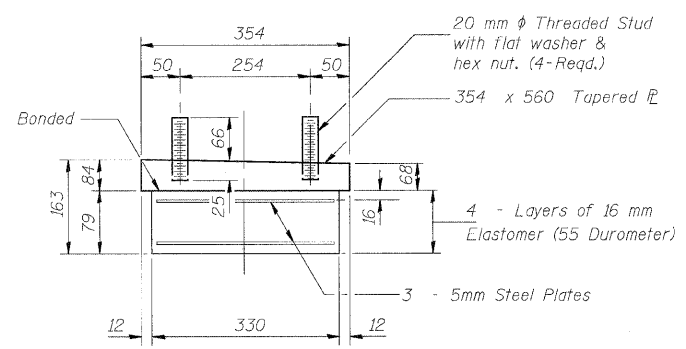


**SECTION D-D**

**BILL OF MATERIAL**

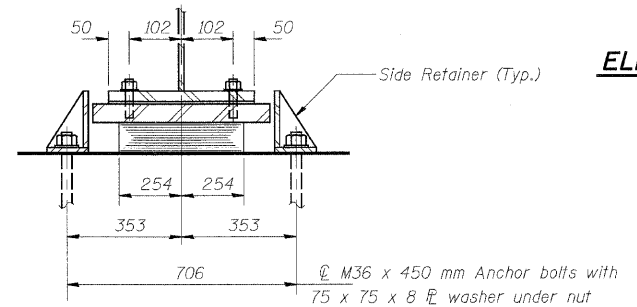
| Item                                 | Unit | Total |
|--------------------------------------|------|-------|
| Elastomeric Bearing Assembly Type I  | Each | 20    |
| Elastomeric Bearing Assembly Type II | Each | 10    |
| Anchor Bolts, M24                    | Each | 20    |
| Anchor Bolts, M30                    | Each | 20    |
| Anchor Bolts, M36                    | Each | 40    |

\* Fixed bearings provided in a separate Fabrication Contract. Cost of erecting fixed bearings included in cost of Erecting Structural Steel.

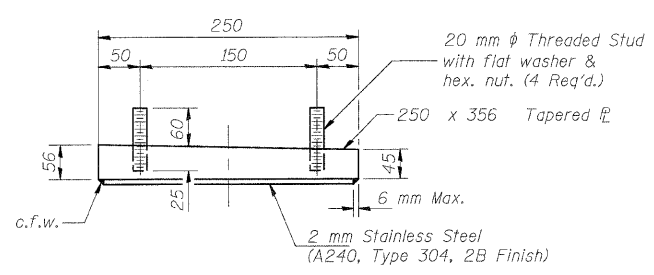


**BEARING ASSEMBLY**

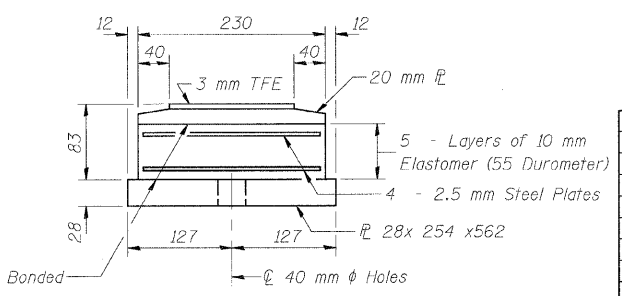
Note: Shim plates shall not be placed under Bearing Assembly.



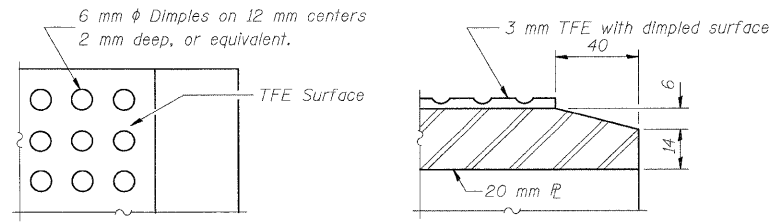
**SECTION A-A**



**TOP BEARING ASSEMBLY**



**BOTTOM BEARING ASSEMBLY**



**PLAN-TFE SURFACE**

**SECTION THRU TFE**

Note: The 3 mm TFE sheet shall be bonded directly to the top steel plate with a two-component, medium viscosity epoxy resin, conforming to the requirements of the Federal Specification MMM-A-134, Type I. The bond agent shall be applied on the full area of the contact surfaces.

Bonding of 3 mm TFE sheet during vulcanizing process will be permitted provided the process and method of adjusting assembly height is approved by the Engineer.

**NOTES**

- Anchor bolts at fixed bearings may be built into the masonry.
- See sheet SA46 for Anchor Bolt installation.
- See sheet SA40 for Setting Anchor Bolts at Expansion Bearing.
- All dimensions are in millimeters (mm) except as noted.
- Side retainers and other steel members required for the bearing assembly shall be included in the cost of Elastomeric Bearing Assembly, Type I or II.

| REVISIONS |      |
|-----------|------|
| NAME      | DATE |
|           |      |
|           |      |
|           |      |
|           |      |

**ILLINOIS DEPARTMENT OF TRANSPORTATION**  
**BEARING DETAILS - UNIT IV**  
**PIERS 15, 16, 17 AND NORTH ABUTMENT**  
**SOUTHWEST HIGHWAY OVER**  
**B&O RAILROAD AND STONY CREEK**  
**FAU 3578 SECTION 15V B-1-R-1**  
**STRUCTURE NUMBER 016-2771**  
**COOK COUNTY STATION 4+716.497**

SCALE: NONE  
 DATE: 6/17/09  
 DRAWN BY: E. Mroozek  
 CHECKED BY: A. Yargiooglu