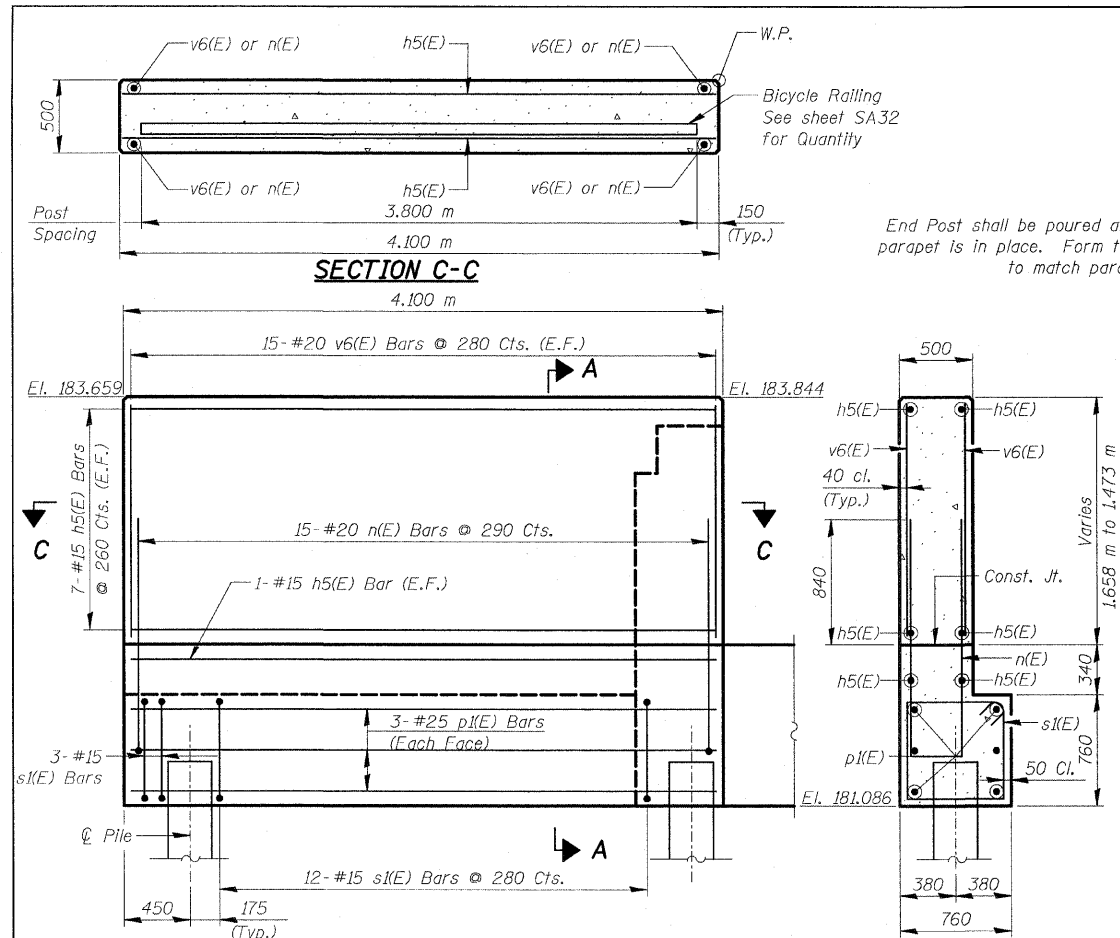
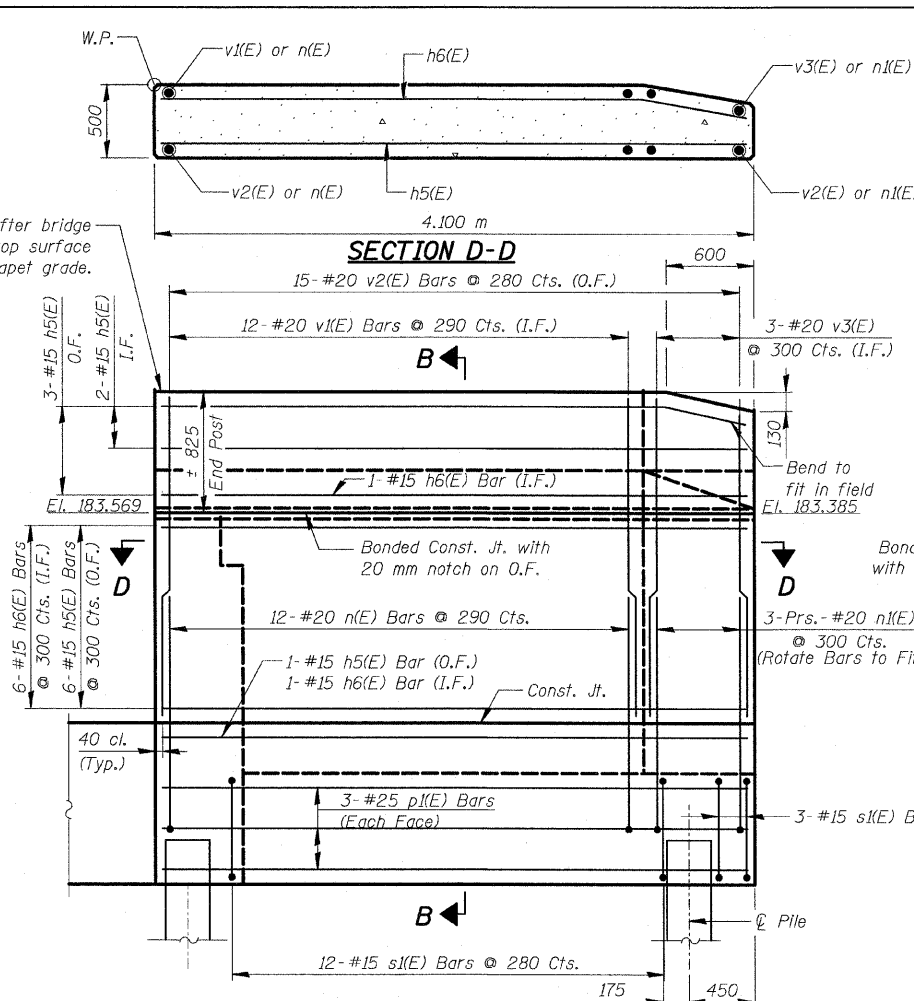


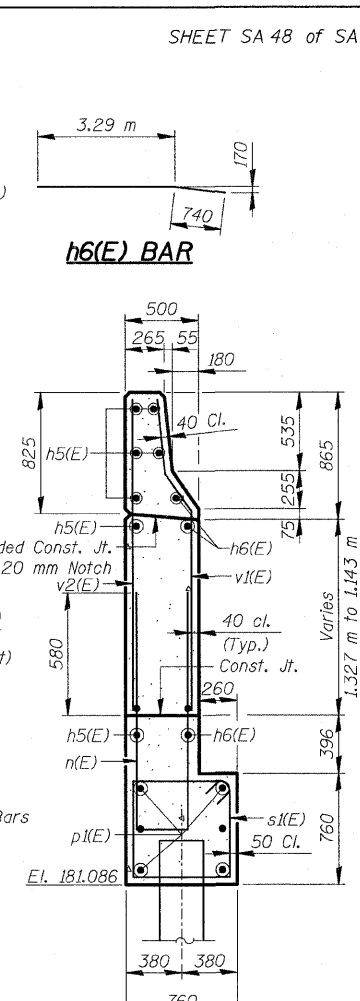
F.A.U. RTE.	SECTION	COUNTY	TOTAL SHEETS	SHEET NO.
3578	15V B-1-R-1	COOK	243	143
STA.		TO STA.		
FED. ROAD DIST. NO.		ILLINOIS FED. AID PROJECT		
CONTRACT NO. 62388				



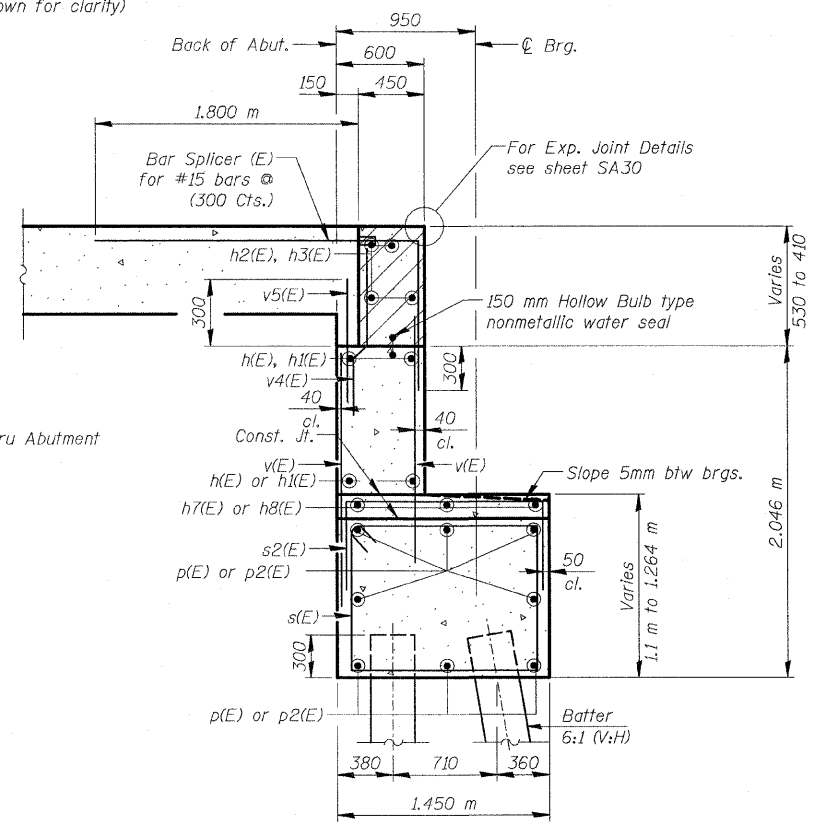
WING WALL ELEVATION
(East Wingwall Looking Northwest)
(Bicycle Railing not shown for clarity)



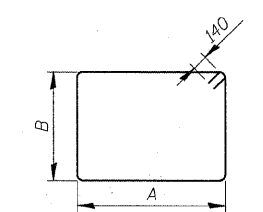
WING WALL ELEVATION
(West Wingwall Looking Southeast)



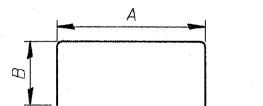
SECTION B-B



SECTION THRU ABUTMENT
Dimensions @ Rt. L's



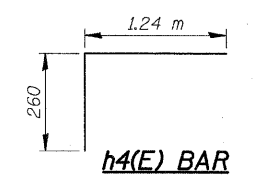
s(E) & s1(E) BARS



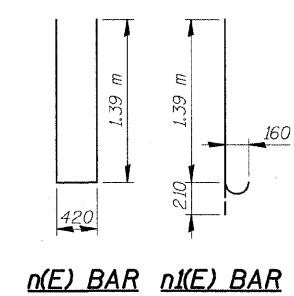
s2(E) & u(E) BARS

BENT BAR DIMENSIONS

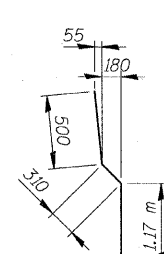
Bar	A	B
s(E)	1.35 m	1.0 m
s1(E)	660	660
s2(E)	1.35 m	680
u(E)	1.3 m	790



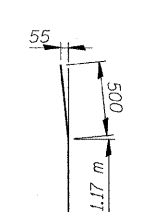
h4(E) BAR



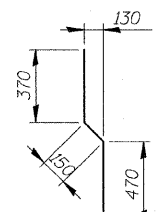
n(E) BAR n1(E) BAR



v1(E) BAR



v3(E) BAR



v4(E) BAR

NOTES

- Hatched area to be poured after superstructure forms have been removed. Quantity of concrete included with Concrete Superstructure.
- Space reinforcement in cap to miss anchor bolts.
- Pour steps monolithically with cap.
- Reinforcement bars designated (E) shall be epoxy coated.
- Quantity of concrete in end post included with Concrete Superstructure on sheet SA21.
- All dimensions are in millimeters (mm) except as noted.
- E.F. = Each Face, I.F. = Inside Face, O.F. = Outside Face

REVISIONS	
NAME	DATE

ILLINOIS DEPARTMENT OF TRANSPORTATION
SOUTH ABUTMENT DETAILS
 SOUTHWEST HIGHWAY OVER
 B&O RAILROAD AND STONY CREEK
 FAU 3578 SECTION 15V B-1-R-1
 STRUCTURE NUMBER 016-2771
 COOK COUNTY STATION 4+716.497
 SCALE: NONE DRAWN BY: M. Tryon
 DATE: 6/17/09 CHECKED BY: