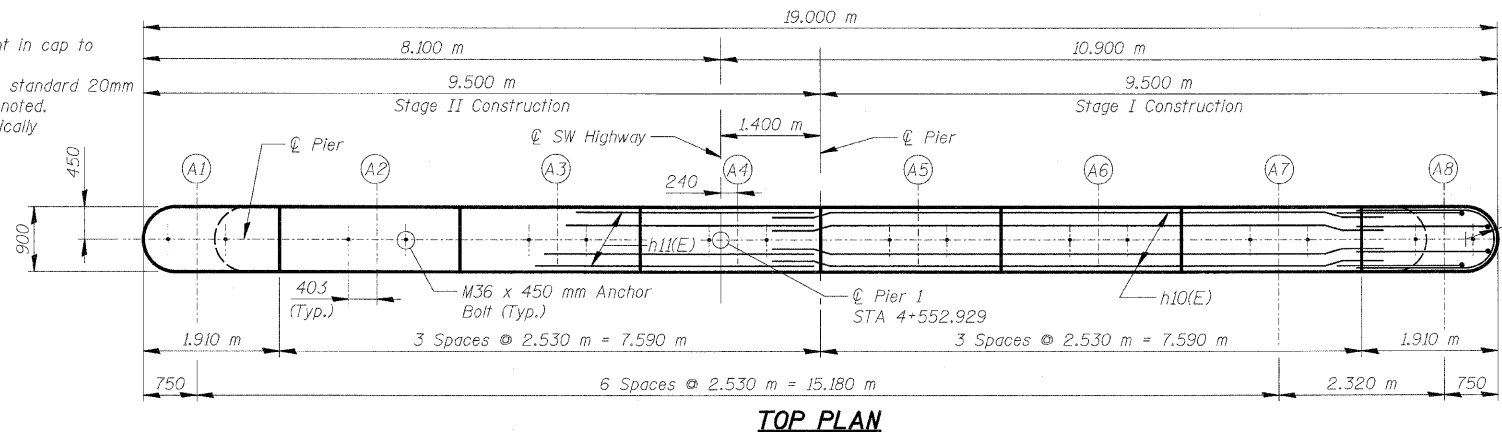
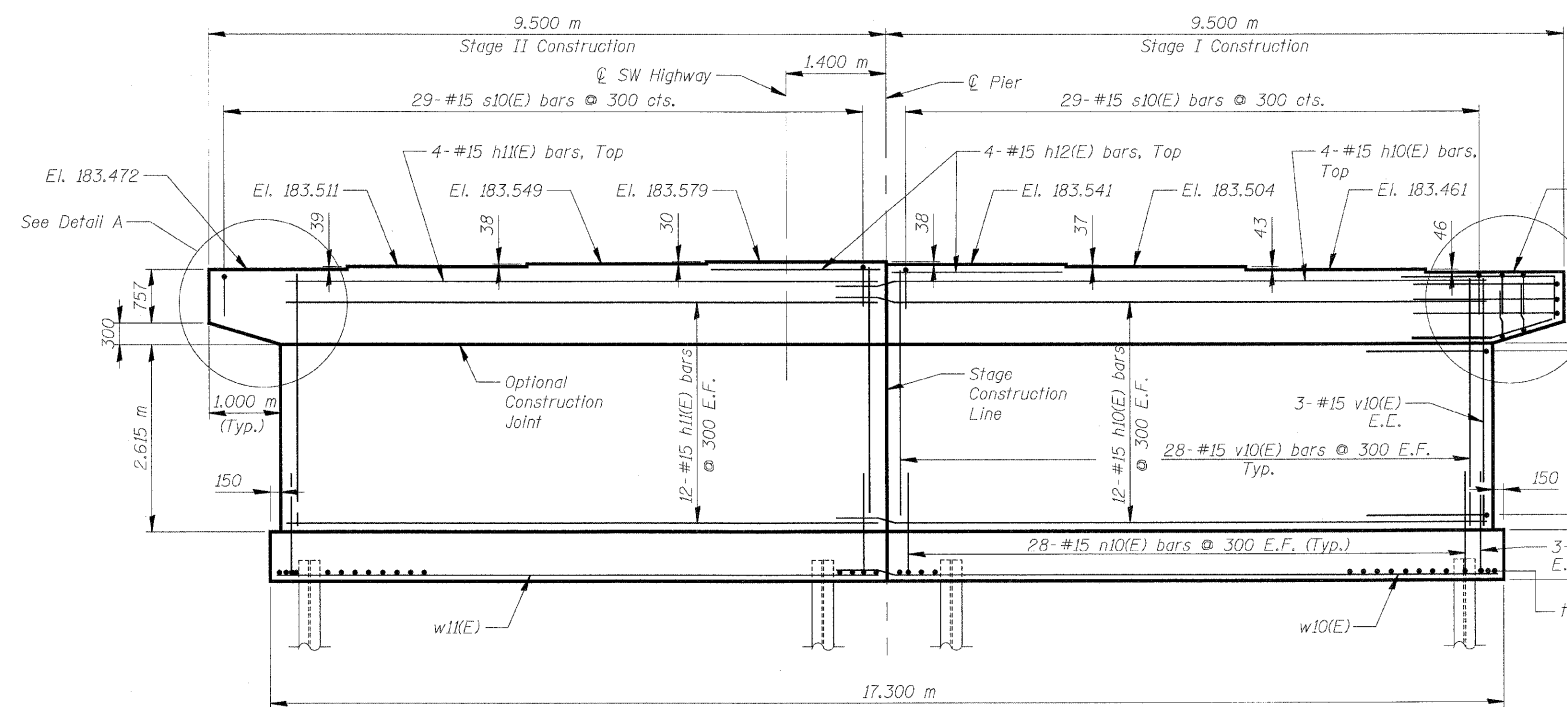


NOTES:

Space Reinforcement in cap to miss anchor bolts.
All edges shall have standard 20mm chamfer except as noted.
Four steps monolithically with cap.



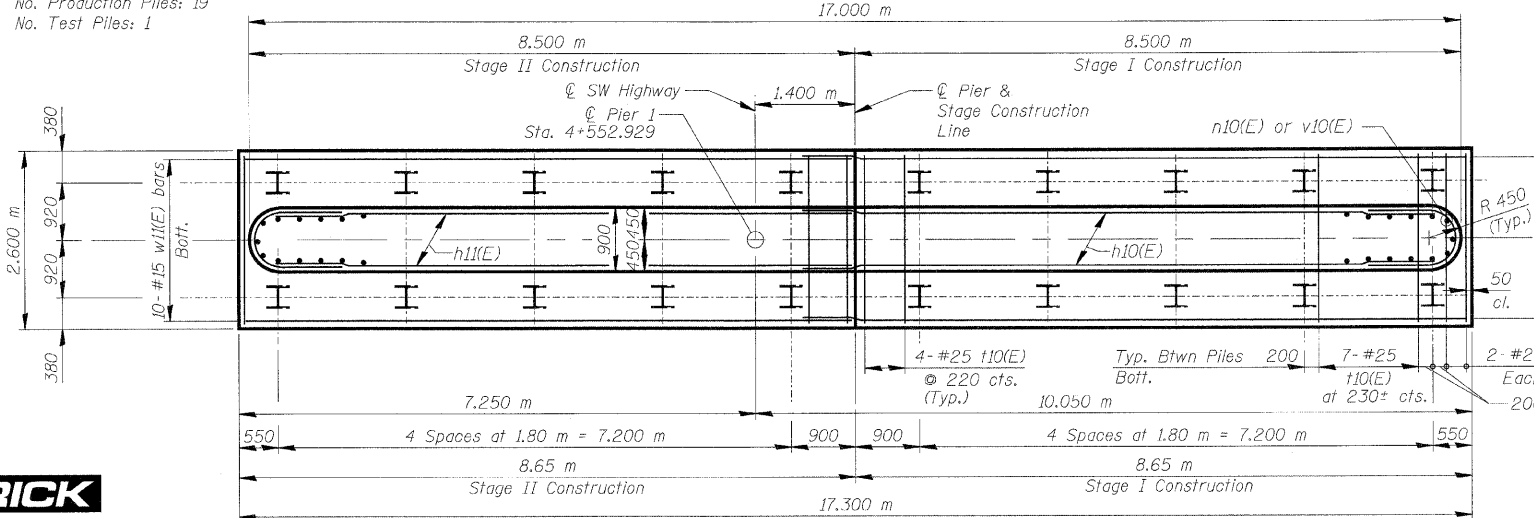
TOP PLAN



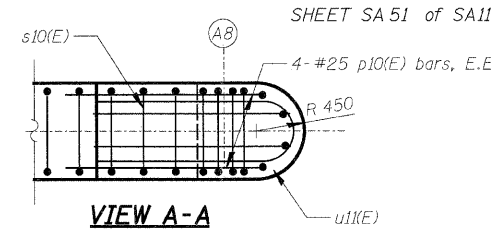
ELEVATION
(Looking Northeast)

PILE DATA

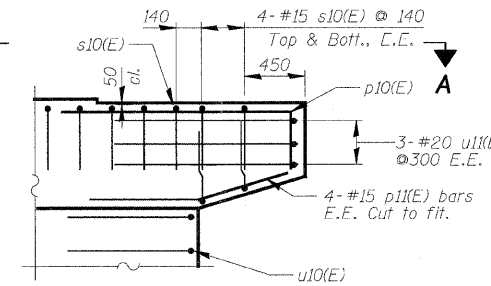
Type: Steel HP 12x53 with pile shoes
Nominal Required Bearing: 1860 kN
Allowable Resistance Available: 620 kN
Est. Length: 20.2 m
No. Production Piles: 19
No. Test Piles: 1



FOOTING PLAN

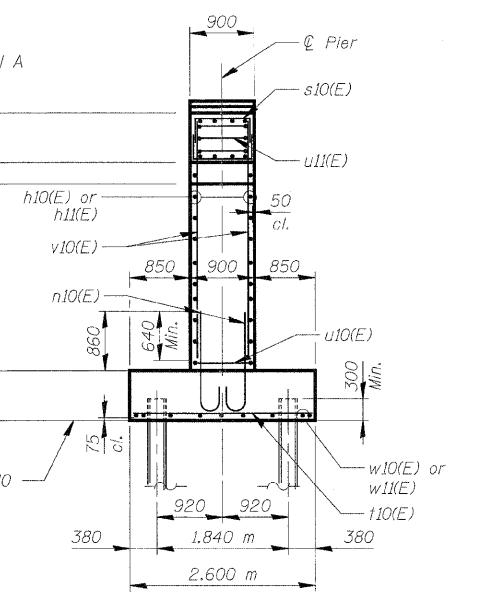


VIEW A-A



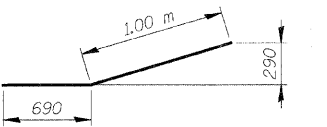
DETAIL A

v10(E), h10(E) & h10(E) not shown for clarity

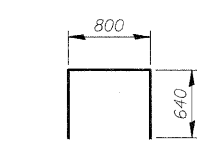


SIDE VIEW

BAR p10(E)



BAR p10(E)

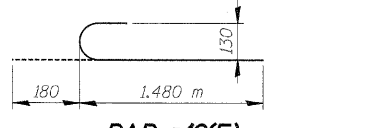


BAR s10(E)

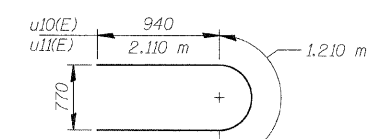
F.A.U. RTE.	SECTION	COUNTY	TOTAL SHEETS	SHEET NO.
3578	15V B-1-R-1	COOK	243	146
STA.		TO STA.		
FED. ROAD DIST. NO.		ILLINOIS	FED. AID PROJECT	CONTRACT NO. 62388

BILL OF MATERIAL

Bar	No.	Size	Length (m)	Shape
n10(E)	28	# 15	8.940	—
h10(E)	28	# 15	8.000	—
h12(E)	8	# 15	2.430	—
n10(E)	118	# 15	1.660	—
p10(E)	8	# 25	3.460	—
p10(E)	8	# 15	1.690	—
s10(E)	74	# 15	2.080	—
t10(E)	68	# 25	2.500	—
u10(E)	20	# 15	3.090	—
u10(E)	6	# 20	5.430	—
v10(E)	118	# 15	3.520	—
w10(E)	10	# 15	9.290	—
w10(E)	10	# 15	8.550	—
Structure Excavation		m ³	92	
Concrete Structures		m ³	89.8	
Reinforcement Bars, Epoxy Coated		kg	3,230	
Furnishing Steel Piles HP310x79		m	383.8	
Driving Piles		m	383.8	
Test Pile Steel HP310x79		Each	1	
Pile Shoes		Each	20	



BAR n10(E)



BAR u10(E) & u10(E)

TYP. LAP SPLICE	
BAR SIZE	MIN. LAP
#15	890 mm
#20	1,110 mm
#25	1,850 mm

NOTE: Use a min. lap splice of 640 for w10(E) & w10(E) bars

LEGEND:

E.E. Each End
E.F. Each Face

NOTES:

1. Reinforcement bars designated (E) shall be Epoxy Coated.
2. Bars indicated thus 20 x 3 - #15 etc. indicates 20 lines of bars with 3 lengths per line.
3. All dimensions are in millimeters (mm) except as noted.

REVISIONS	
NAME	DATE

ILLINOIS DEPARTMENT OF TRANSPORTATION

PIER 1

SOUTHWEST HIGHWAY OVER B&O RAILROAD AND STONY CREEK

FAU 3578 SECTION 15V B-1-R-1

STRUCTURE NUMBER 016-2771

COOK COUNTY STATION 4+716.497

SCALE: NONE DRAWN BY: E. Mroozek

DATE: 6/17/09 CHECKED BY: G. Hatlestad



C:\NDOT\9556_A0\Drawings\STRUCT\51_Pier_1.dgn
 8/3/09 AM
 6/26/2009
 Kopper(Rdwy.L)