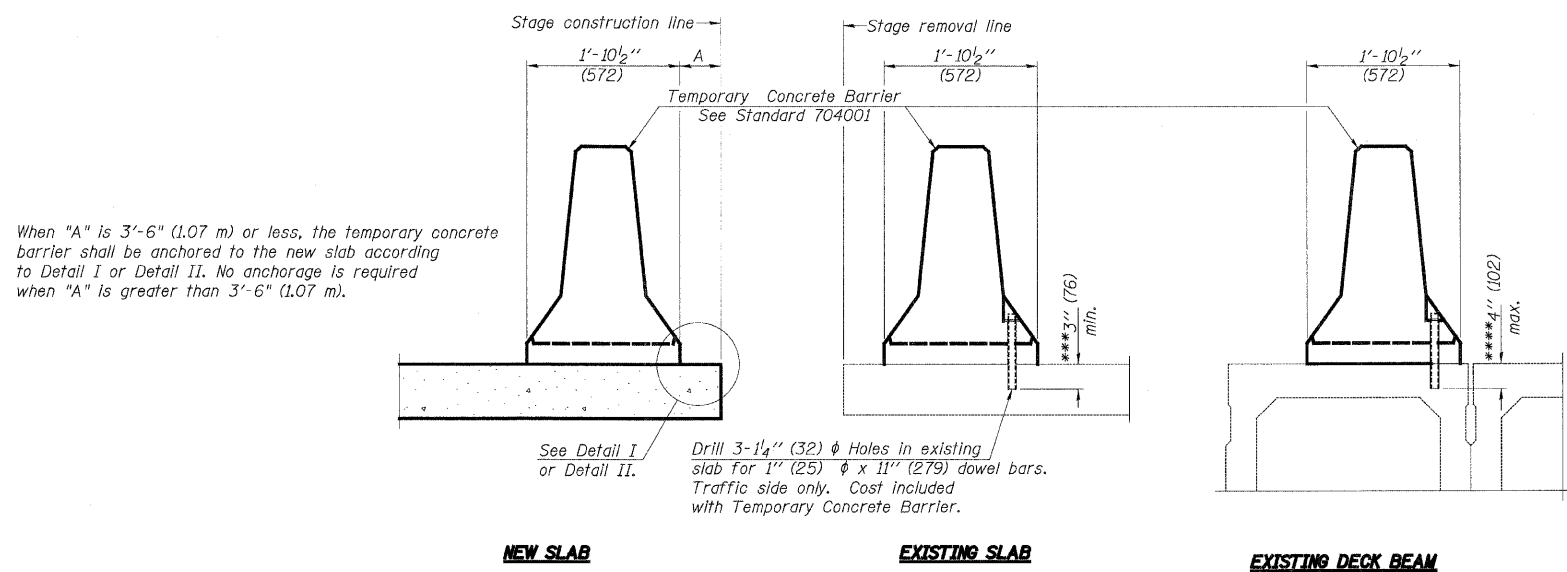


F.A.J. RTE.	SECTION	COUNTY	TOTAL SHEETS	SHEET NO.
3578	15V B-1-R-1	COOK	243	159
STA.		TO STA.		
FED. ROAD DIST. NO.		ILLINOIS FED. AID PROJECT		
CONTRACT NO. 62388				



When "A" is 3'-6" (1.07 m) or less, the temporary concrete barrier shall be anchored to the new slab according to Detail I or Detail II. No anchorage is required when "A" is greater than 3'-6" (1.07 m).

Drill 3-1/4" (32) ϕ Holes in existing slab for 1" (25) ϕ x 11" (279) dowel bars. Traffic side only. Cost included with Temporary Concrete Barrier.

NOTES

Detail I - With Bar Splicer or Couplers:
Connect one (1) 1"x7"x10" (25 x 178 x 254) steel \bar{L} to the top layer of couplers with 2-5/8" (16) ϕ bolts screwed to coupler at approximate \bar{C} of each barrier panel.

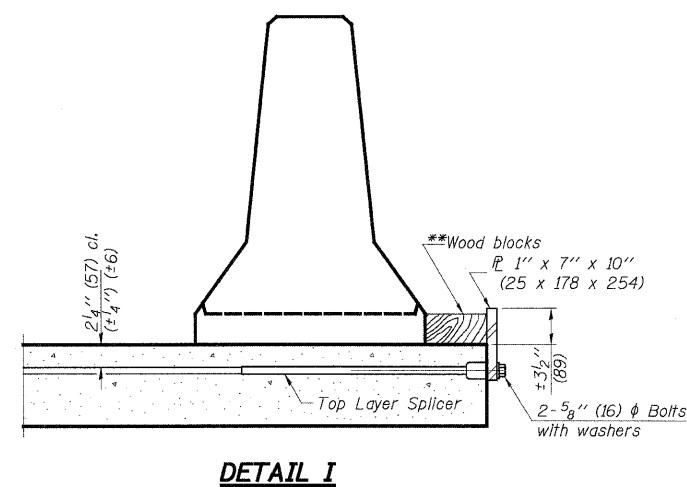
Detail II - With Extended Reinforcement Bars:
Connect one (1) 1"x7"x10" (25 x 178 x 254) steel \bar{L} to the concrete slab or concrete wearing surface with 2-5/8" (16) ϕ Expansion Anchors or cast in place inserts spaced between the top layer of reinforcement at approximate \bar{C} of each barrier panel.

Cost of anchorage is included with Temporary Concrete Barrier. The 1" x 7" x 10" (25 x 178 x 254) plate shall not be removed until stage II construction forms and all reinforcement bars are in place and the concrete is ready to be placed.

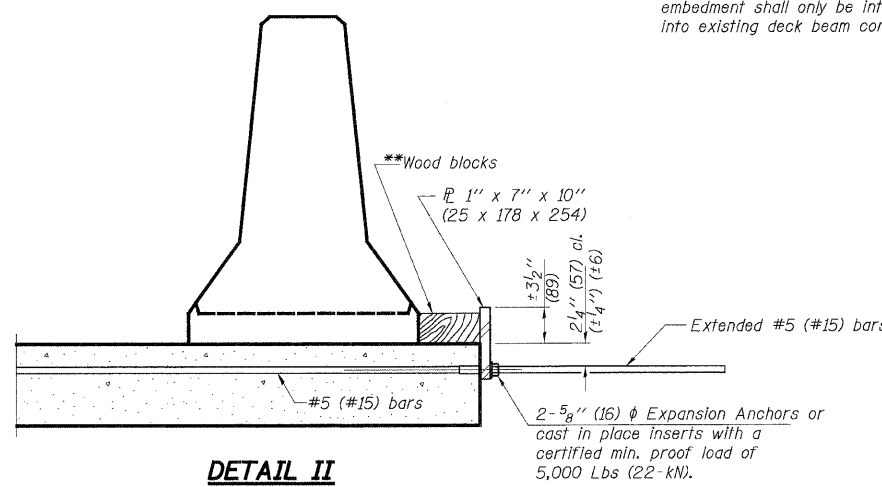
SECTIONS THRU SLAB OR DECK BEAM

*** Dimension shown is minimum required embedment into concrete. If hot-mix asphalt wearing surface is present, minimum embedment shall be in addition to wearing surface depth.

**** If existing deck beam is to remain in place after stage construction, embedment shall only be into wearing surface and not into existing deck beam concrete.

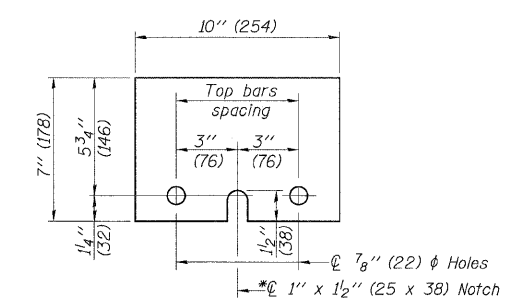


DETAIL I



DETAIL II

**Wood blocks may be omitted when required to provide minimum stage traffic lane width. When the wood blocks are omitted, the concrete barrier shall be in direct contact with the steel retainer plate.



STEEL RETAINER \bar{L} 1" x 7" x 10" (25 x 178 x 254)

* Required only with Detail II

TEMPORARY CONCRETE BARRIER FOR STAGE CONSTRUCTION

REVISIONS	
NAME	DATE

ILLINOIS DEPARTMENT OF TRANSPORTATION
 TEMPORARY CONCRETE BARRIER
 SOUTHWEST HIGHWAY OVER
 B&O RAILROAD AND STONY CREEK
 FAJ 3578 SECTION 15V B-1-R-1
 STRUCTURE NUMBER 016-2771
 COOK COUNTY STATION 4+716.497
 SCALE: NONE DRAWN BY: **M. Tryon**
 DATE: 6/17/09 CHECKED BY: **A. Yarglooglu**

All dimensions shown in parathesis (mm) are in mm, except as noted.

O:\NID01\9556_A0\Drawings\STRUCT\64 Temp conc barrier.dgn
 +koeppen(Rdwy...L)ise) 8:56:31 AM
 6/26/2009



R-27 10-1-08