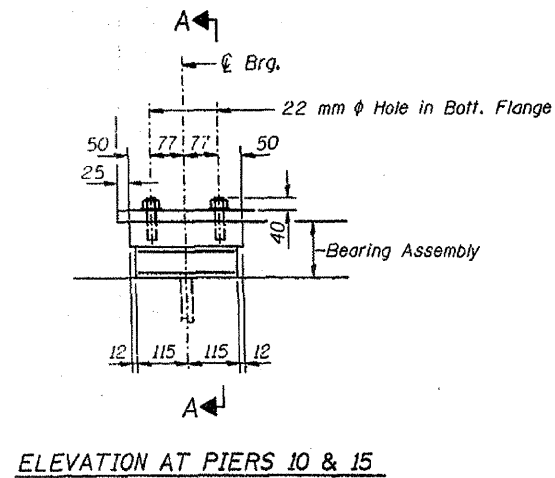
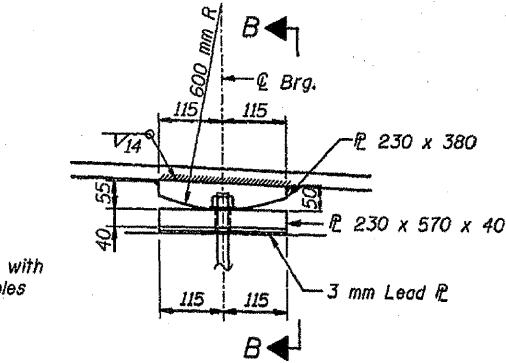
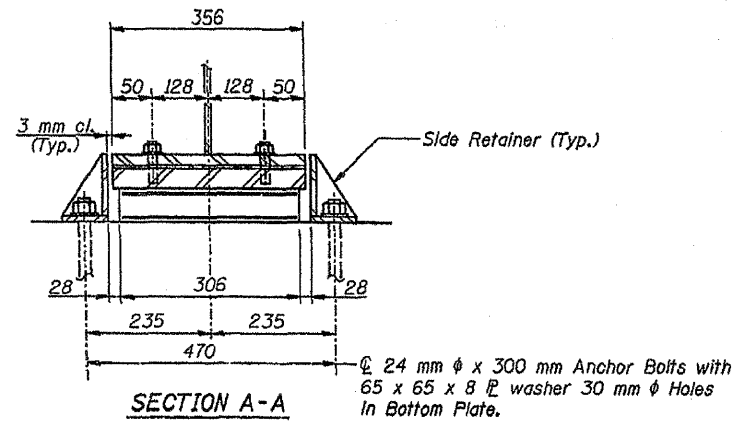


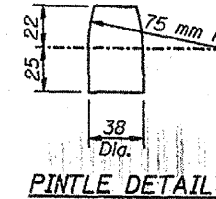
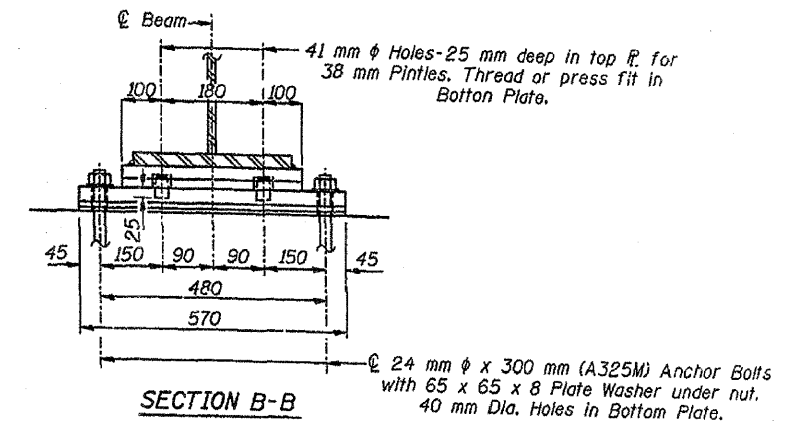
F.A. RTE.	SECTION	COUNTY	TOTAL SHEETS	SHEET NO.
3578	15VB-1-R	COOK	243	190
STA. 4+665.229		TO STA. 4+777.600		
FED. ROAD DIST. NO. 7		ILLINOIS FED. AID PROJECT		



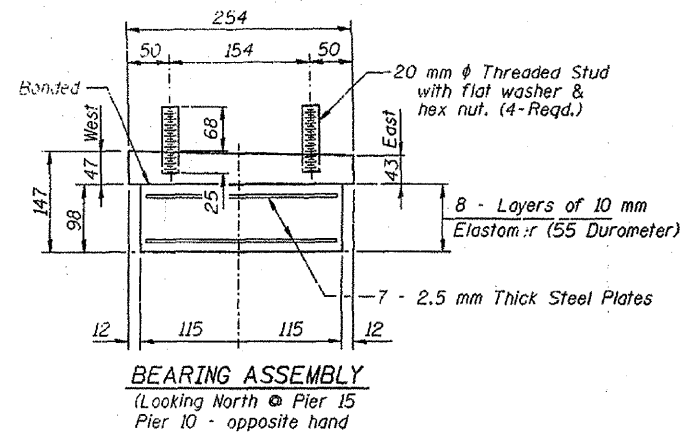
TYPE I ELASTOMERIC EXP. BRG. AT PIERS 10 & 15



FIXED BEARING AT PIERS 12 & 13

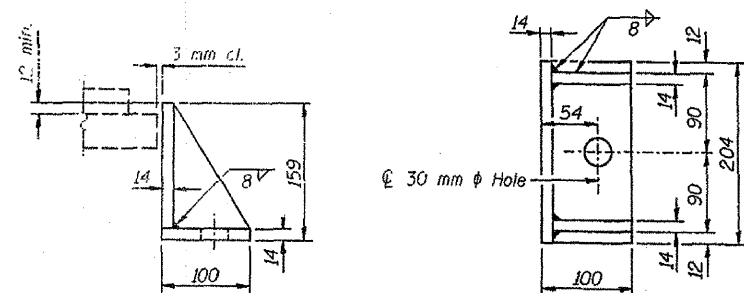


NOTE: Bearing Plates & Pintles to be AASHTO M 270M Grade 345.



Notes: Anchor bolts of fixed bearings may be built into the masonry.  
See Sheet S19 for Anchor Bolt Installation.  
All dimensions are in millimeters (mm) except as noted.

Note: Shim plates shall not be placed under Bearing Assembly.



Equivalent rolled angle with stiffeners will be allowed in lieu of welded plates. Mass included with "Furnishing & Erecting Structural Steel".

BILL OF MATERIAL

Item	Unit	Total
Elastomeric Bearing Assembly Type I	Each	16

REVISIONS	
NAME	DATE

ILLINOIS DEPARTMENT OF TRANSPORTATION  
BEARING DETAILS-PIER 10, 12, 13 AND 15  
SOUTHWEST HIGHWAY OVER  
B. & O.C.T. RAILROAD AND MELVINA DITCH  
F.A.U. ROUTE 3578 SEC. 15VB-1-R  
COOK COUNTY STATION 4+716.471  
STRUCTURE NO. 016-0463  
SCALE: DATE: 6/17/09  
DRAWN BY: F. MUNIR  
CHECKED BY: B. SHAH  
CHRISTIAN - ROGE & ASSOC.  
CHICAGO ILLINOIS