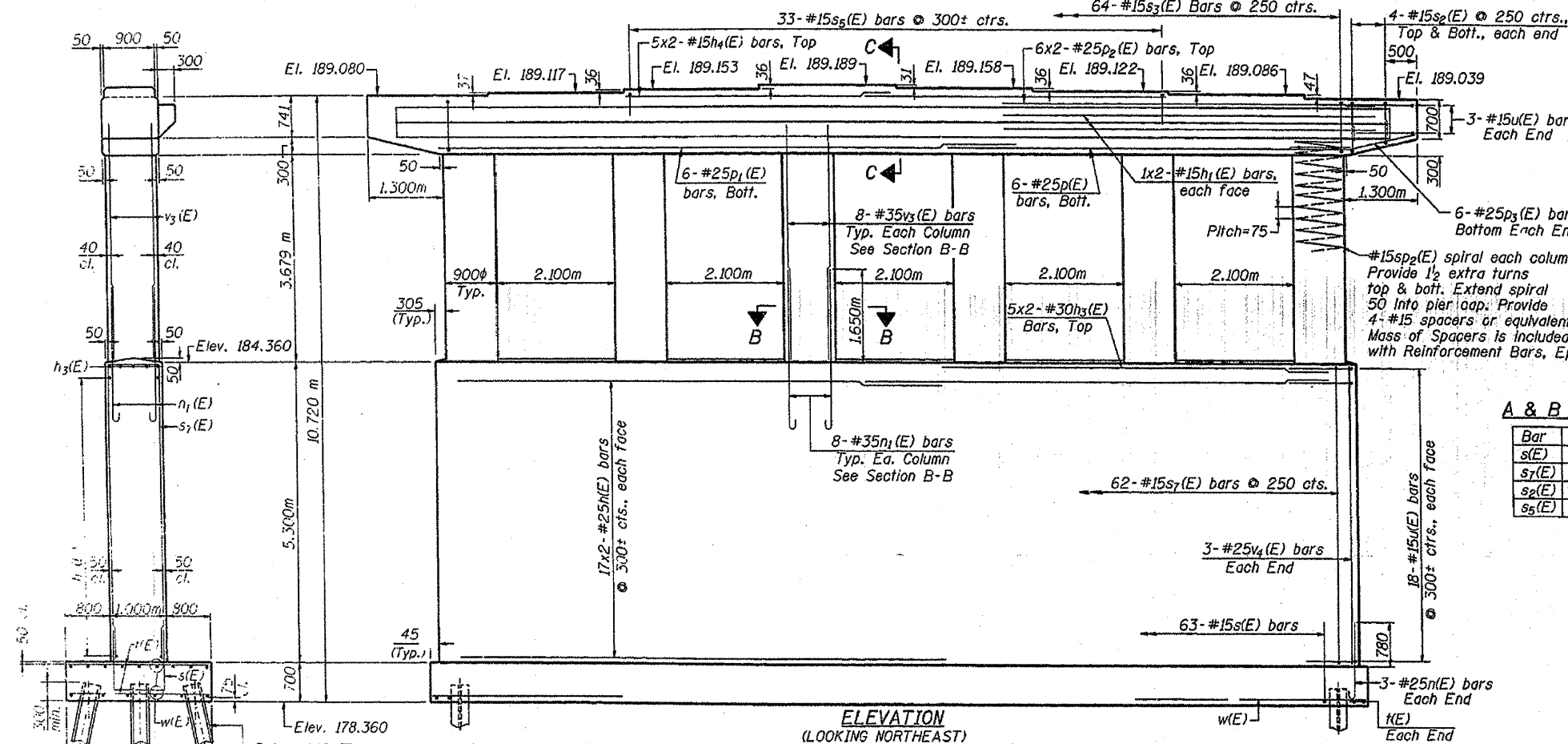
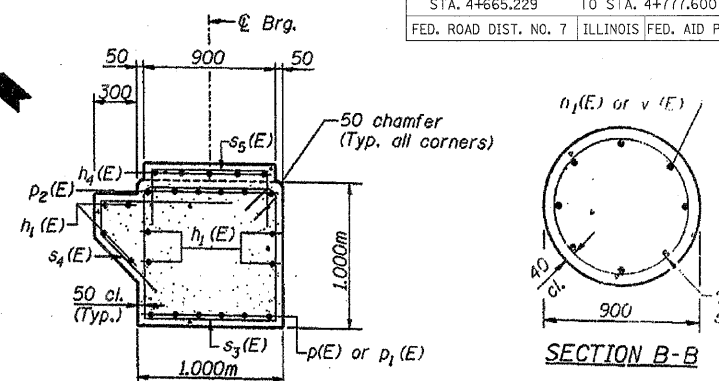
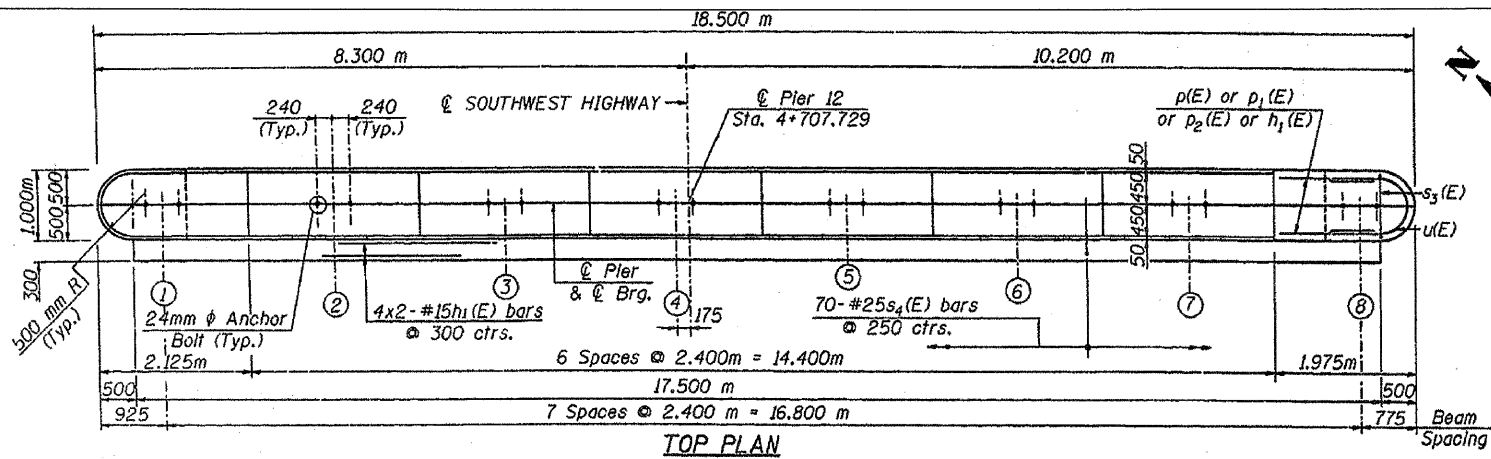


F.A. RTE.	SECTION	COUNTY	TOTAL SHEETS	SHEET NO.
3578	15VB-1-R	COOK	243	196
STA. 4+665.229		TO STA. 4+777.600		
FED. ROAD DIST. NO. 7		ILLINOIS FED. AID PROJECT		

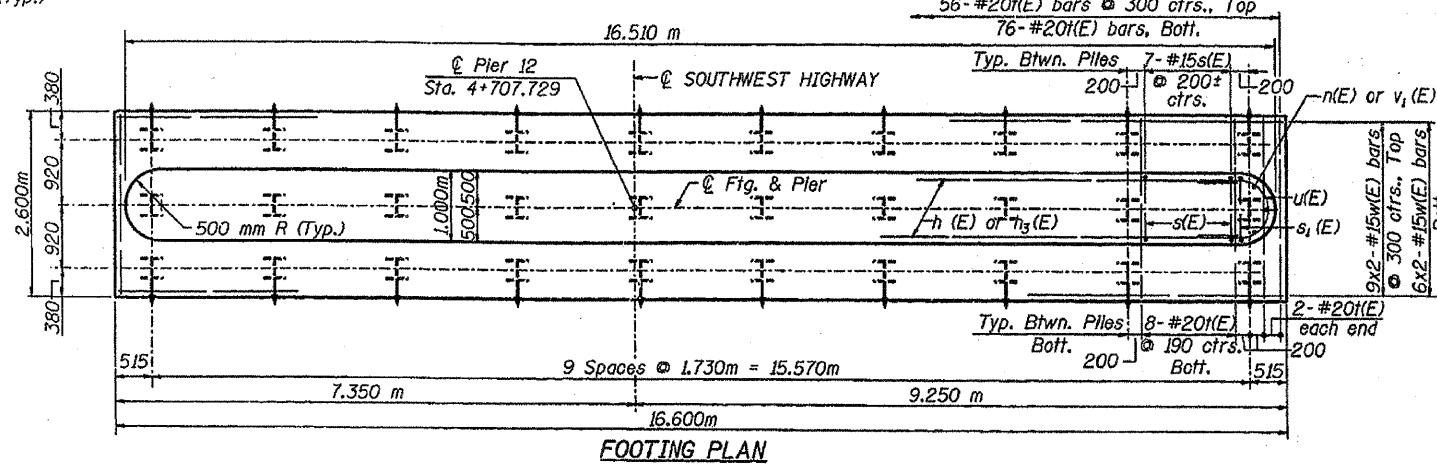
NOTES:

Space Reinforcement in cap to meet anchor bolts.
 All edges shall have standard 20 mm chamfer except as noted.
 Pour steps monolithically with cap.
 Min. spiral lap = 1/2 turns.
 Bars indicated thus 6x2-#25 etc. indicates 6 Lines of bars with 2 lengths per line.



PILE DATA

Type: Steel Friction Piles HP 310x79
 Capacity: 600 Kn capacity driven to 900 Kn bearing
 Est. Length: 9.500 m
 No. Required: 29+1 Test Pile in a permanent location

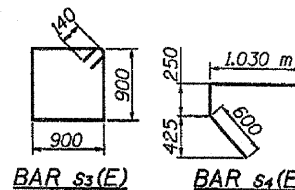


BILL OF MATERIAL

Bar	No.	Size	Length (m)	Shape
n(E)	68	#25	8.47	—
h1(E)	16	#15	9.12	—
h3(E)	10	#30	8.68	—
h4(E)	10	#15	5.07	—
n(E)	6	#25	1.69	—
n1(E)	48	#35	2.71	—
p(E)	6	#25	7.16	—
p1(E)	6	#25	10.16	—
p2(E)	12	#25	9.46	—
p3(E)	12	#25	2.56	—
s(E)	62	#15	3.72	□
s7(E)	62	#15	11.34	□
s2(E)	16	#15	2.44	□
s3(E)	63	#15	3.88	□
s4(E)	70	#25	1.88	□
s5(E)	33	#15	1.70	□
sp2(E)	6	#15	3.68	~
n(E)	132	#20	2.50	—
u(E)	42	#15	2.61	—
v4(E)	6	#25	5.20	—
v3(E)	48	#35	4.39	—
w(E)	30	#15	8.57	—
Furnishing Steel Piles HP 310x79			m	275.5
Test Piles Steel HP 310x79			Each	1
Concrete Structure			m ³	123.5
Reinforcement Bars, Epoxy Coated			Kg	12,990
Structure Excavation			m ³	162

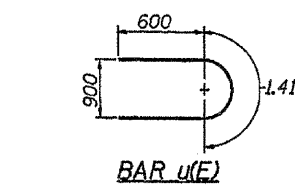
A & B DIMENSIONS

Bar	A	B
s(E)	900	1.41
s7(E)	900	5.22
s2(E)	900	770
s5(E)	800	450



MIN. BAR LAPS

#15 Bars=640
 #25 Bars=1320
 #30 Bars=1850



REVISIONS

NAME	DATE

ILLINOIS DEPARTMENT OF TRANSPORTATION

PIER 12 DETAILS

SOUTHWEST HIGHWAY OVER
 B. & O.C.T. RAILROAD AND MELVINA DITCH
 F.A.U. ROUTE 3578 SEC. 15VB-1-R
 COOK COUNTY STATION 4+716.471
 STRUCTURE NO. 016-0463

SCALE: DRAWN BY: F. MUNIR
 DATE: 6/17/09 CHECKED BY: B. SHAH

CHRISTIAN - ROGE & ASSOC.
 CHICAGO ILLINOIS