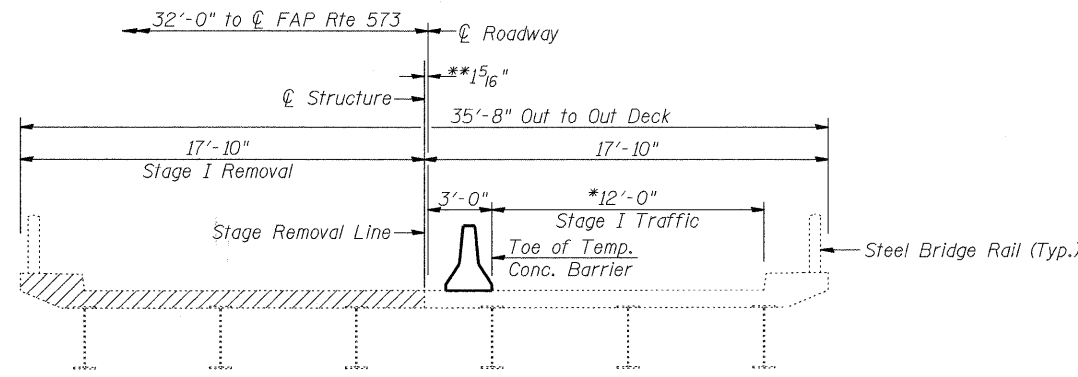


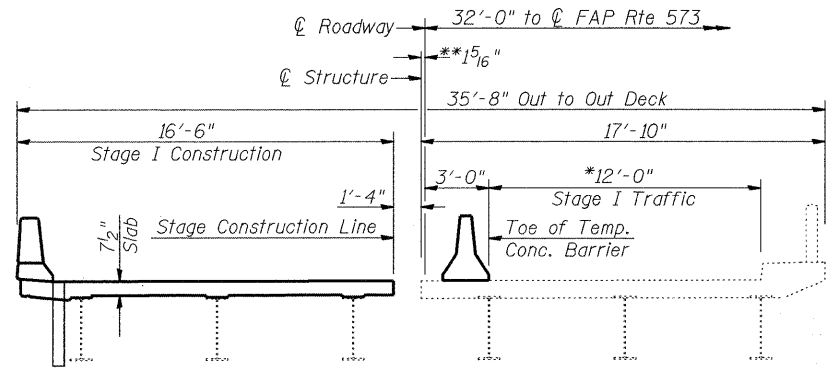
**STAGE I REMOVAL (WEST BOUND LANES)**  
(Looking North)



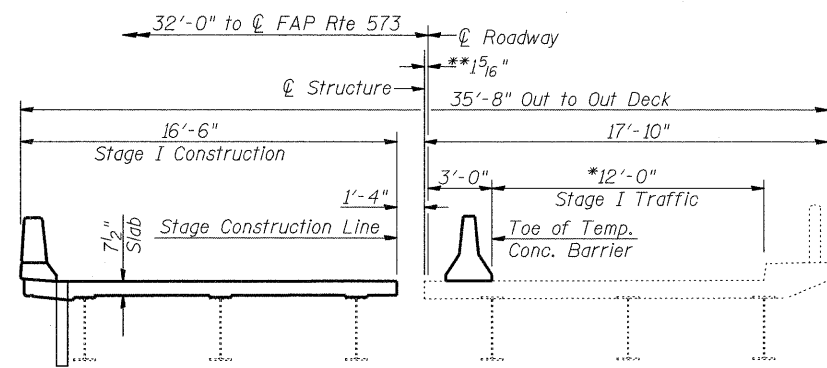
**STAGE I REMOVAL (EAST BOUND LANES)**  
(Looking North)

**LEGEND**

- Denotes "Removal of Existing Concrete Deck"



**STAGE I CONSTRUCTION (WEST BOUND LANES)**  
(Looking North)



**STAGE I CONSTRUCTION (EAST BOUND LANES)**  
(Looking North)

**NOTES**

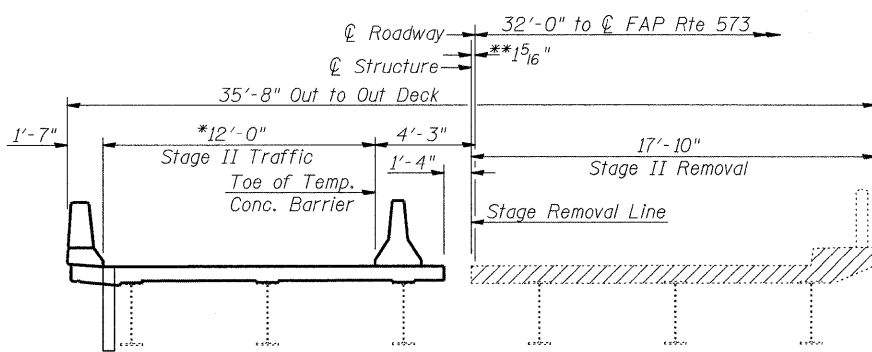
- Dimension lines shown from  $\ominus$  Roadway are measured radially.
- Removal of existing Steel Bridge Rail is included with Removal of Existing Concrete Deck.
- Pay Item for Temporary Concrete Barrier is included with Roadway Plans.
- See Sheet 17 of 17 for Temporary Concrete Barrier Details.

**SCOPE OF WORK**

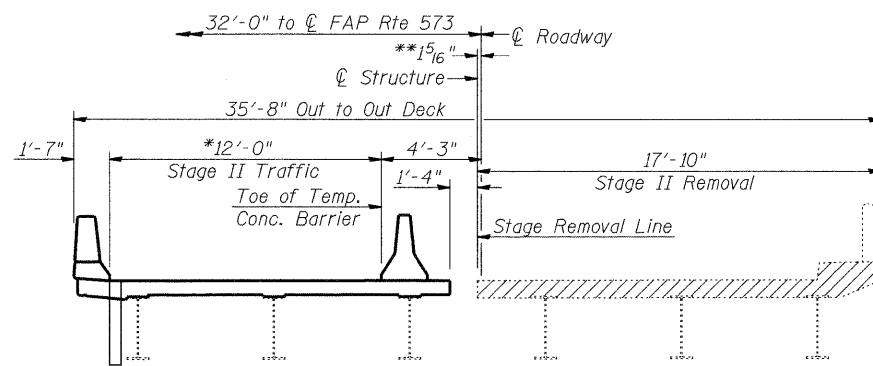
1. Remove and replace existing deck utilizing stage construction.
2. Remove and replace west bound pier cap.
3. Install concrete diaphragms with existing steel diaphragms encased in the concrete at each pier. Also replace the expansion joints at each pier.
4. Remove and replace the concrete diaphragms/curtain walls at the abutments.
5. Remove expansion bearings and replace with elastomeric bearings at both piers.
6. Substructure repairs.
7. Install stud shear connectors on existing beams.
8. All existing structural steel shall be cleaned where it is going to be encased in concrete.
9. Remove and replace Bridge Approach Pavements.

\* Varies  $\pm 1\frac{5}{16}$ "; dimensions to the west of the  $\ominus$  of Roadway will be an additional  $1\frac{3}{16}$ " at the  $\ominus$  of the structure and will be  $1\frac{5}{16}$ " less at both ends of the structure. Dimensions to the east of the  $\ominus$  of Roadway will be an additional  $1\frac{5}{16}$ " at both ends of the structure and will be  $1\frac{5}{16}$ " less at the  $\ominus$  of the structure.

\*\* Varies from  $1\frac{5}{16}$ " west of  $\ominus$  Roadway at the  $\ominus$  of Structure to  $1\frac{5}{16}$ " east of  $\ominus$  roadway at both ends of the structure.



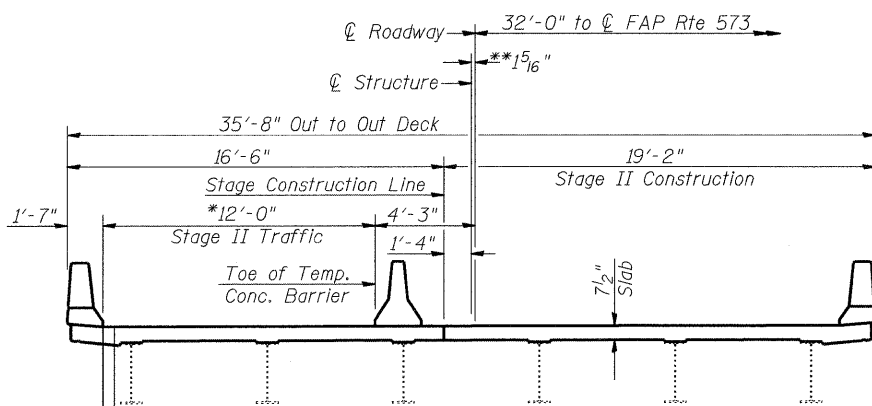
**STAGE II REMOVAL (WEST BOUND LANES)**  
(Looking North)



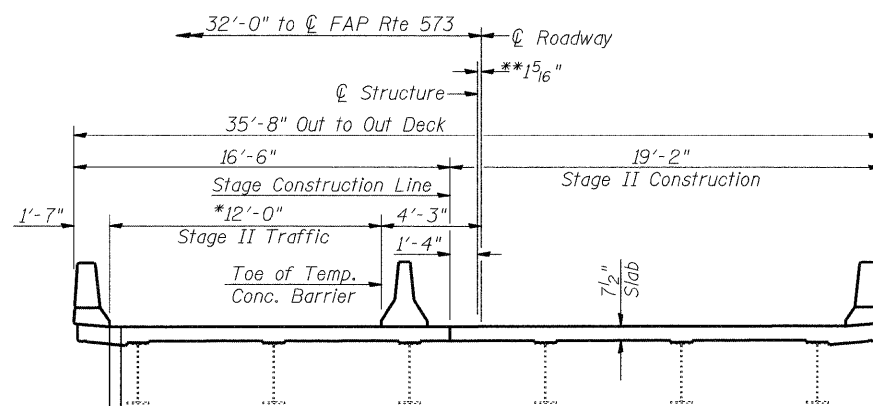
**STAGE II REMOVAL (EAST BOUND LANES)**  
(Looking North)

**BILL OF MATERIAL**

Item	Unit	Total
Removal of Existing Concrete Deck	Each	2



**STAGE II CONSTRUCTION (WEST BOUND LANES)**  
(Looking North)



**STAGE II CONSTRUCTION (EAST BOUND LANES)**  
(Looking North)

**rjngroup**  
Excellence through Ownership

200 West Front Street  
Wheaton, IL 60187

DESIGNED: WJV  
CHECKED: BLB  
DATE: 04/02/09

**STAGE CONSTRUCTION DETAILS**  
IL RTE. 56 OVER BLACKBERRY CREEK  
STATION 202+10.00  
STRUCTURE NO. 045-0026 (E.B.)  
STRUCTURE NO. 045-0027 (W.B.)

SHEET NO. 3 17 SHEETS	F.A.P. RTE. 573	SECTION 61B-BR-1	COUNTY KANE	TOTAL SHEETS 37	SHEET NO. 15
	FED. ROAD DIST. NO. 7 ILLINOIS FED. AID PROJECT			CONTRACT NO. 62817	